

Divator DP1

User manual • Benutzerhandbuch • Manuel de l'utilisateur •
Användarhandbok

Copyright © 2022 Interspiro

This publication contains or refers to proprietary information which is protected by copyright. All rights are reserved. Interspiro®, Oxydive® and Divator® are registered trademarks belonging to Interspiro. This publication may not be copied, photocopied, reproduced, translated, or converted to any electronic or machinereadable form in whole or in part, without prior written approval from Interspiro.

Table of Contents

Divator DP1	7
Introduction	7
Safety notice	7
Safety terminology and symbols	9
Before use	10
Technical description	10
Preparation	11
During use	15
Operating procedures	15
Extreme conditions	15
Emergency procedures	15
After use	17
Disconnection	17
Cleaning	17
Visual inspection	18
Full hose inspection	19
Anti-freezing unit	20
Winding the supply hose	23
Leakage test	24
Service and testing	25
Transport and storage	26
DP1	27
Einführung	27
Sicherheitshinweis	27
Sicherheitsbegriffe und -symbole	29
Vor dem Einsatz	31
Technische Beschreibung	31
Vorbereitung	32
Während des Tauchens	36
Arbeitsanweisungen	36
Extreme Bedingungen	36
Notfallmaßnahmen	36
Nach Gebrauch	38
Abschaltung	38
Reinigung	38
Sichtprüfung	39
Vollständige Schlauchprüfung	40
Frostschutzgerät	41
Aufwickeln des Versorgungsschlauchs	44

	Dichtigkeitsprüfung	45
	Service und Prüfung	47
	Transport und Lagerung	47
DP1		49
	Introduction	49
	Notice de sécurité	49
	Symboles et termes de sécurité	51
	Avant utilisation	52
	Description technique	52
	Préparation	53
	Pendant l'utilisation	57
	Procédures opérationnelles	57
	Conditions extrêmes	57
	Procédures d'urgence	57
	Après utilisation	59
	Débranchement	59
	Nettoyage	59
	Inspection visuelle	60
	Inspection complète des tuyaux	61
	Unité antigel	62
	Enroulement du tuyau d'alimentation	65
	Test d'étanchéité	66
	Entretiens et tests	68
	Transport et stockage	68
DP1		69
	Introduktion	69
	Säkerhetsföreskrifter	69
	Säkerhetstermer och symboler	71
	Före användning	72
	Teknisk beskrivning	72
	Förberedelse	73
	Användning	77
	Anvisningar	77
	Extrema förhållanden	77
	Rutiner för nödfall	77
	Efter användning	79
	Frånkoppling	79
	Rengöring	79
	Visuell inspektion	80
	Fullständig slangkontroll	81
	Frys skyddsenhet	82

Linda upp ytförsörjningsslangen	85
Läckageprovning	86
Underhåll och provning	87
Transport och förvaring	88



Introduction

This user manual contains important safety, maintenance, and operation information. Read this manual thoroughly before diving.

Safety notice

This product, supplying breathing gas to the user, has been tested in accordance with EN15333-1, and is to be used according to local regulations

Manufacturer: Interspiro AB, Box 2853 18728 Täby Sweden

The pressure gauge in the surface supply unit comply with EN15333-1 and EN250 and is marked "EN250".

The depth of the equipment certification is 50 meter (164 feet) and the maximum length of the supply hose is 120 meters.

It is approved for use together with the Interspiro range of SCUBA diving products.

Interspiro is not responsible for:

- combinations of products, unless put to market by Interspiro
- changes or adaptations made to the product by a third party

Declaration of conformity is found here:

<https://interspiro.com/en-gb/service-support/downloads/certificates-approvals>



Warning

Before using the Divator / OX10 / IS-Mix system, the user must have received full training in its use, have read and understood these operating instructions and demonstrated proficiency to a responsible trainer or supervisor. Failure to do so may result in injury or death for the user and can have serious consequences for people to be rescued and/or items of value to be saved.



Warning

All users of the Divator / OX10 / IS-Mix system must be certified by a nationally or internationally recognized scuba certification agency. Furthermore, all users of the Divator system must be adequately trained in its use by a certified diving instructor with knowledge and experience in the use of the Divator diving system.



Warning

All users of the Divator / OX10 / IS-Mix system must periodically undergo training in emergency procedures in shallow water to maintain preparedness in the event of an actual emergency.



Warning

High pressure gas systems must be handled with care. Damage to high pressure gas system components may result in injury or death. Interspiro is not liable for damages incurred as a consequence of failure to follow the instructions in this manual.



Warning

Before using the Divator / OX10 / IS-Mix system, the user must ensure that the system has been properly inspected and maintained.



Warning

The breathing gas shall meet the requirements for breathing gas according to EN 12021.

Safety terminology and symbols

In this document, the terms WARNING and NOTICE are used to indicate potential hazards. Read the accompanying information carefully and follow the safety instructions.



Warning

The WARNING type of hazard statement signifies that there is a risk of serious injury or death.



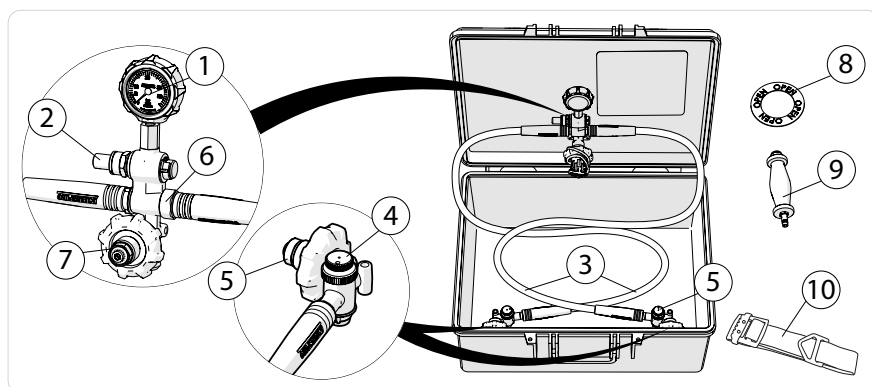
Notice

The Notice type of hazard statement signifies that there may be a risk of damage to equipment or property.

Before use

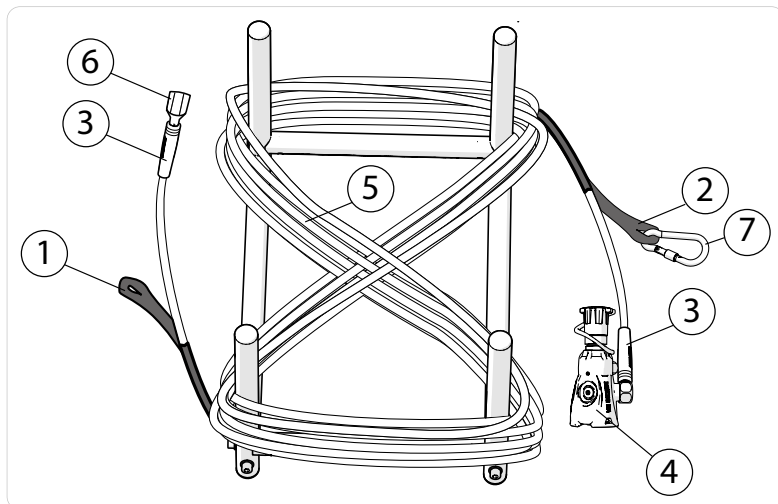
Technical description

DIVATOR DP1 is a surface supply diving system with an operating pressure of up to 75 bar or up to 300 bar, depending on version. The pressure in the supply hose varies between 300–55 bar or between 75–55 bar. It has two high-pressure supply cylinder connections, each one connected to a high pressure cylinder supply. A shuttle valve automatically switches to the supply with the highest pressure and the supply pressure is shown on the pressure gauge. When the supply pressure drops to 55 bar, the warning whistle sounds and the supply must be changed by opening the second supply.



Surface unit

1. Pressure gauge
2. Low air whistle
3. Adapter hose
4. Vent valve
5. Connection to supply cylinder
6. Automatic shuttle valve
7. Hose connection / Hose connection w regulator (depending on version).
8. "OPEN" tag
9. Vent handle
10. Belt



Diving hose

1. Relieving loop surface
2. Relieving loop diver
3. Bend protector
4. P+ regulator with quick coupling to diver
5. Supply hose
6. Connection to outlet on surface unit
7. Carabiner

Preparation

Diver

Prepare the Divator SCUBA according to the instructions in the user manual.

Surface attendant operating procedures

A check list can be found on the inside lid of the Surface Unit.

Please note that the text on the check list may vary depending on language region or user requirements.

1. Open the surface unit box. Place the box in such a position so that the pressure gauge is easy to observe.
2. Check that the supply hose is correctly wound from the last dive (see section "Winding the supply hose").

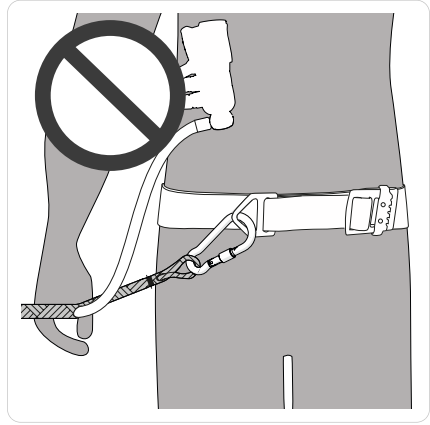
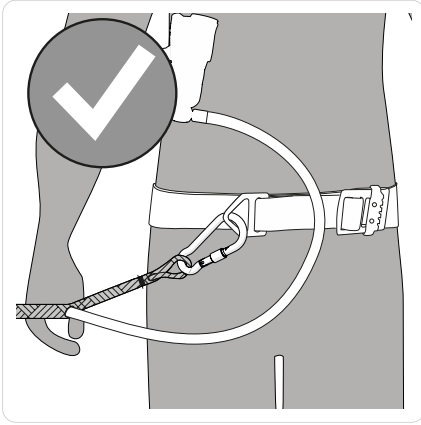
3. Visually inspect the O-ring seals on the adapter hose cylinder connectors and on the surface unit connection to the supply hose. If they show signs of damage or they are missing, replace with new ones.
4. Connect the supply hose to the surface unit.
5. Secure the supply hose in a safe way to a fixed object using the eyelets.
6. Connect one adapter hose to a full supply cylinder.
7. Connect the second adapter hose to a second full supply cylinder.
8. Close the vent valves on the adaptor hoses.
9. Open one cylinder valve. Check that the audible alarm sounds, and that the alarm stops after a short period when the pressure increases above 55 bar. Mark the open cylinder valve with the Open tag.
10. Check that the pressure in the cylinder as shown on the gauge is sufficient to start your diving operation.
11. Connect the vent handle to the P+ regulator and flush the hose with fresh air.
12. Check that the cylinder valve on the Divator SCUBA cylinder is completely open (hand wheel fully opened and then turned back a $\frac{1}{4}$ of a turn).
13. Check that the supply hose is secured and correctly fastened to the divers belt using the relieving loop and carabiner.
14. Check that the DP1 is pressurized.
15. Connect the quick coupling on the P+ regulator to the Divator SCUBA and secure it.



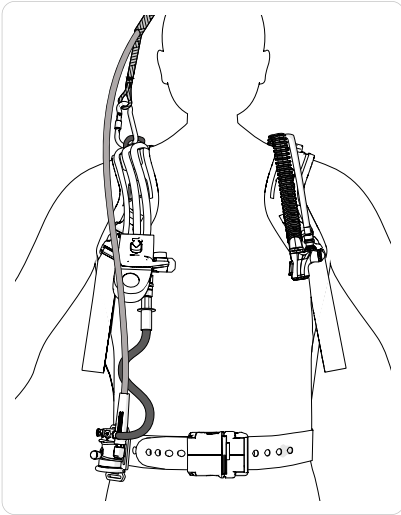
NOTICE

With the lifeline correctly connected, it is possible to pull the supply hose in any direction without straining the connection. All strain must be absorbed by the relieving loop and the carabiner.

Divator DP1



ENGLISH





Warning

If the supply hose is connected to the diver and dived without being pressurized the water pressure may become higher than the air pressure on the inside of the hose and may partially fill the inside of the hose with water. If the surface attendant then realizes his fault and pressurizes the hose, water could be supplied to the diver instead of air.



Warning

If the supply hose ever enters the water not pressurized there is the possibility of water entering the hose.



Warning

A pressurized supply hose is not to be connected to a diver under water.

During use

Operating procedures

1. Frequently check the pressure on the surface unit gauge.
2. Frequently check that the supply hose does not kink.
3. Be ready to switch to the second air supply cylinder before the surface unit pressure gauge reaches 55 bar.
4. If necessary, plan for connection of further air supply cylinders.

Switching supply cylinder

1. Open the cylinder that has full pressure.
2. Check that the pressure is rising on the pressure gauge and that the whistle stops sounding.
3. Close the cylinder with low pressure and depressurize it through the venting valve.
4. Move the "OPEN" sign to the open cylinder.
5. Replace the empty cylinder with a cylinder that has full pressure.

Extreme conditions

Diving in extreme conditions, such as diving in cold environments, requires special training, planning and preparation.

Refer to the separate instruction with document number 34228, available on the download section of interspiro.com, for more information.

Emergency procedures

Low air supply pressure, surface

- In an emergency the surface supply can be used until the air supply pressure has dropped to approximately 20 bar .



Warning

The supply hose should never be re-pressurized during the dive if the pressure in the hose has been lower than 10 bar (145 psi). Water may enter into the hose when depressurized and submerged.

Surface supply failure, diver

- If the diver has insufficient or no surface air supply, immediately change to bail out supply.
After activating the reserve valve function, abort dive! Start ascending towards the water surface.

After use

Disconnection

1. Disconnect the DP1 supply hose from the Divator SCUBA while it is pressurized.
2. Close the DP1 cylinder valve on the DP1 supply cylinder.
3. Vent the supply hose by using the vent handle (not through the venting valves on the adapter hoses).



Warning

Always use hearing protection when discharging high pressure air.

4. Protect all couplings with dust covers or park them in their parking connections.

Cleaning

1. Clean the hose, belt and carbine hook with a cleaning solution consisting of 10 % soap and fresh water.
2. A degreasing agent can be used to clean badly polluted parts. Before using such agent contact the manufacturer of it to check if it is suitable in combination with the type of materials used in Divator DP1 Surface Supply. Follow the instructions received from the manufacturer.
3. Mechanical parts must be carefully cleaned so that sand or dust are removed from the moving parts.



NOTICE

Remember to keep the surface supply pressurized when washing in soap and water.

Visual inspection

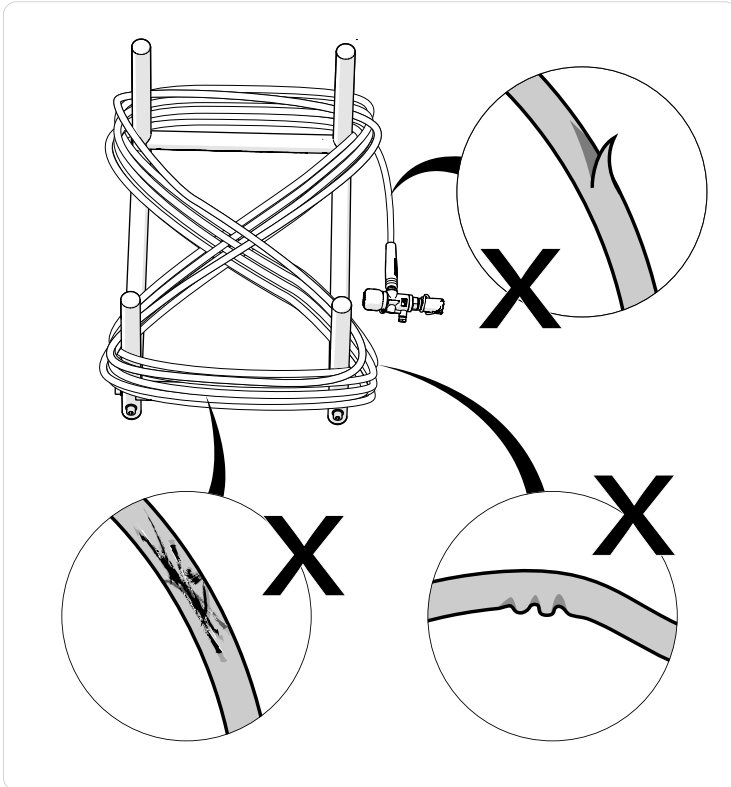
1. Inspect the eyelets at both ends of the supply hose to ensure that there is no damage or chemical deterioration .
2. Check the quick coupling, make sure that the locking sleeve is easily operated and that it is free from sand and dust .
3. Inspect all hoses.
If there is any suspicion of chemical or mechanical damages (such as overload) follow the instructions in chapter "Full hose inspection".

Full hose inspection

1. Make sure that there are no chemical or mechanical damages (such as overload) on the hose.

Inspect along the whole length of the hose that there are no:

- cuts
- scratches
- kinks or traces of kinking
- or chemical damages.

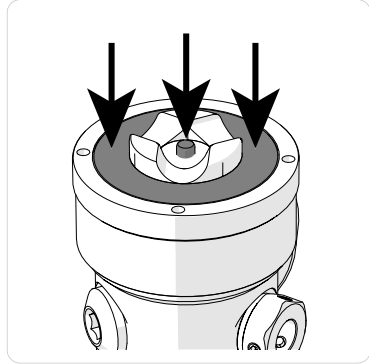
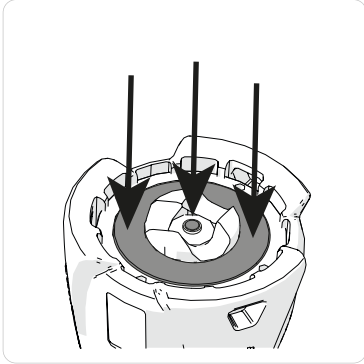


2. Make sure that the metal tubes in the ends of the hose are undamaged and without cracks and/or rust.
3. Replace damaged hoses.

Anti-freezing unit

Version RS4 P+ / Pro P+

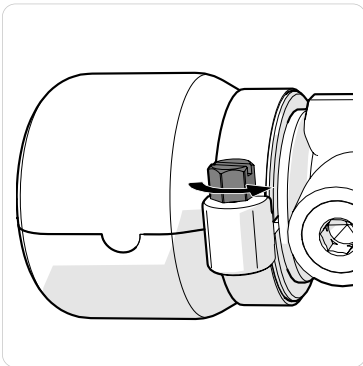
1. Check that the anti-freezing diaphragm is undamaged.
2. Check that the knob in the center is undamaged and in place.



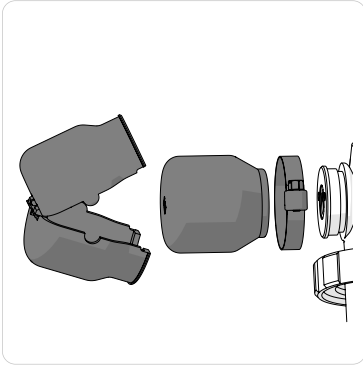
3. Check that the rubber ring on the P+ regulator relief valve does not have any deformations.

Version MKII P+

1. Use the screwdriver.
Remove the hose clamp.



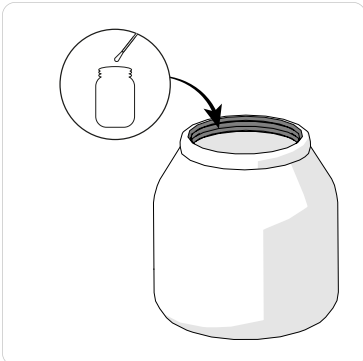
2. Remove the anti freezing cover.
Remove the anti freezing cap.



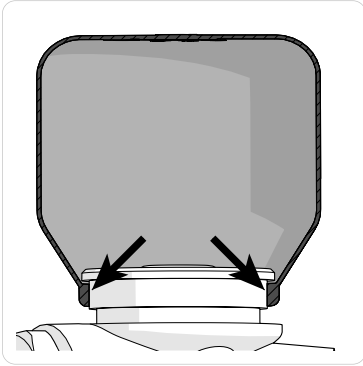
3. Make sure that no water has entered the regulator.
If there is water in the regulator, blow compressed air into one of the holes until the regulator is completely dry inside.



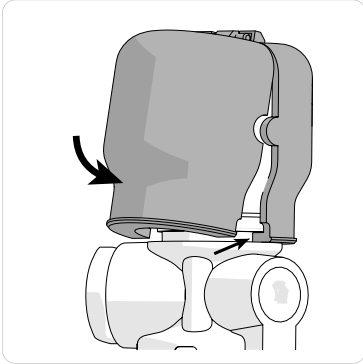
4. Lubricate the anti-freezing cap on the inside edge.



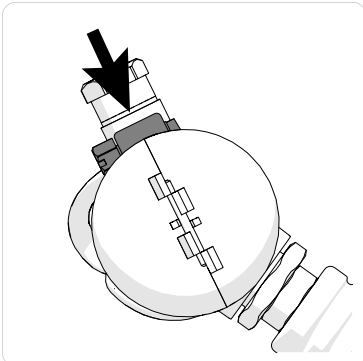
5. Make sure to assemble it evenly along the edge.
Make sure that the cap is filled with air.



6. Assemble the anti freezing cover.
Make sure that the plastic halves do not pinch the anti freezing cap.

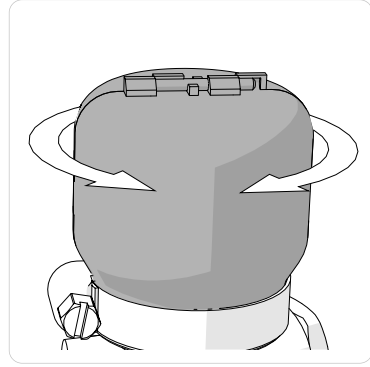
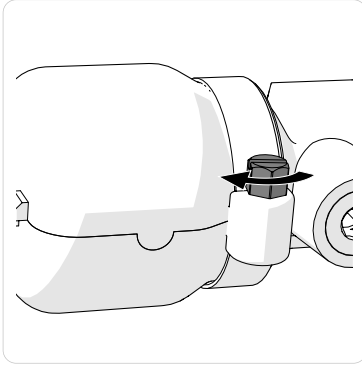


7. Assemble the hose clamp and the cover in the direction shown in the image.



8. Assemble the hose clamp.

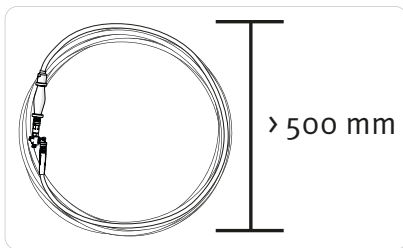
Tighten the hose clamp until the cover is locked but still possible to turn without the anti freezing cap turning together with it.



Winding the supply hose

To avoid kinking of the supply hose it is important to wind the hose in such way that it is free from twisting (kinks). Kinks can result in flow restrictions. The supply hose should be wound up pressurized in a figures of eight with a diameter greater than 500 mm (1.5 feet) for each turn. Alternatively, the hose can be wound in a ring, but then it must be turned in the upper and lower turns when it is wound.

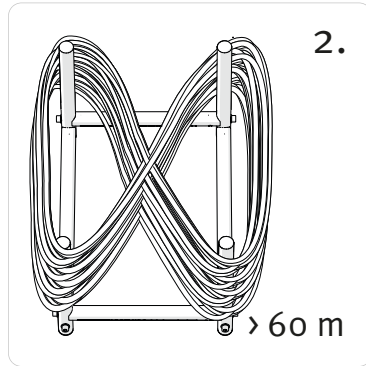
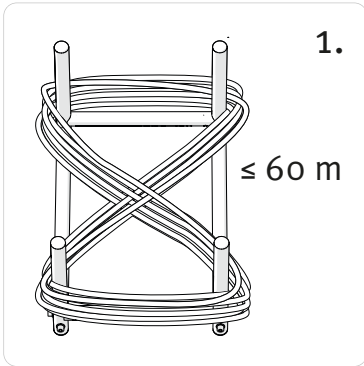
When the supply hose has been wound and the pressure in the hose has been released, it should be secured to hold it in place during handling and transport. The ends of the supply hose must always be protected from water and dirt by connecting the ends of the supply hose to the supplied vent handle.



Divator hose winding frame

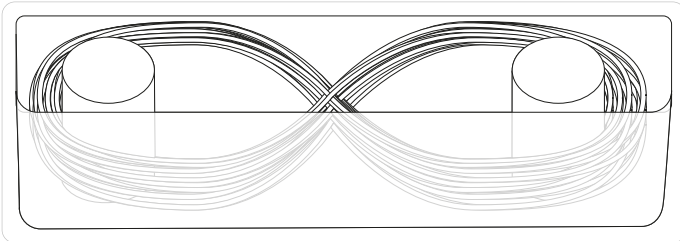
The winding frame consists of four poles to wind the supply hose around in the figures of eight. Wind according to images depending on how long the hose is.

If the hose is 60 m or less wind it according to image 1, if it is longer, wind it according to image 2. For more detailed instructions see document 96878.



Holdall

There are also a bag with two poles that can be used to wind a supply hose that is up to 60 m long. Wind the hose in the figure 8 around the poles in the bag.



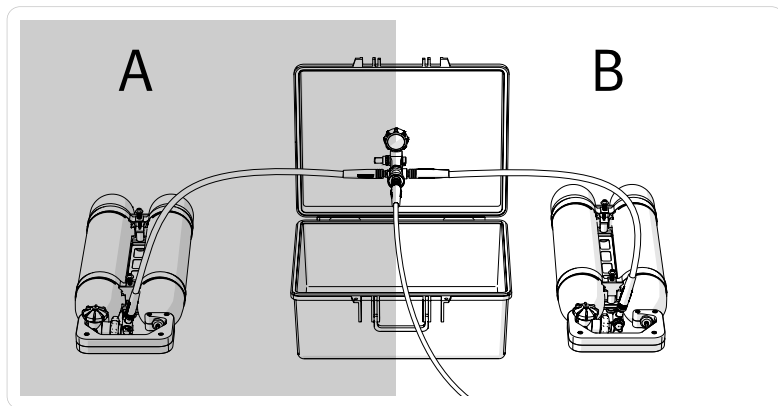
Leakage test

If the unit fails the leakage test it must be repaired before use.

Preparation

1. Prepare two gas cylinders filled to the same pressure, above 200 bar.
2. Connect the supply hose to the surface unit.
3. Connect the adapter hoses to the cylinders.

Test



1. Pressurize the unit by opening both cylinder valves, wait for 3 minutes to let the pressure stabilize.
2. Tap on the pressure gauge.
3. Close both cylinder valves and check that there is no visible pressure drop during 30 seconds.
4. At side A:
 1. Open the vent valve and wait a few seconds to release the pressure in the adapter hose.
 2. Check that there is no audible leak at the cylinder connection.
 3. Close the vent valve and open the cylinder valve.
5. At side B:
 1. Open the vent valve and wait a few seconds to release the pressure in the adapter hose.
 2. Check that there is no audible leak at the cylinder connection.
 3. Close the vent valve.

Service and testing

Service and testing must as a minimum be carried out according to Interspiro's Service and Testing Schedule with document number 30500, or according to local requirements.

The latest versions is found under Downloads at interspiro.com.

Transport and storage

All parts should be stored in dry conditions, well protected from direct sunlight and extreme temperatures. During transport, the equipment must be stored so that the equipment cannot be damaged and people cannot be injured.

The equipment must not be stored where the temperature may be expected to go above 70 °C (158 °F). The equipment must be completely dry before being put into storage.

Einführung

Dieses Benutzerhandbuch enthält wichtige Sicherheits-, Wartungs- und Betriebsinformationen. Lesen Sie dieses Handbuch vor dem Tauchen gründlich durch.

Sicherheitshinweis

Dieses Produkt, das den Benutzer mit Atemgas versorgt, wurde gemäß EN15333-1 geprüft und ist gemäß den örtlichen Vorschriften zu verwenden.

Hersteller: Interspiro AB, Box 2853, 18728 Täby, Schweden

Das Manometer der Oberflächenversorgungseinheit entspricht EN15333-1 und EN250 und ist mit „EN250“ gekennzeichnet.

Die Angaben zur Tiefe der Gerätezertifizierung beträgt 50 Meter (164 Fuß) und die maximale Länge des Versorgungsschlauchs beträgt 120 Meter.

Es ist für die Verwendung zusammen mit den Tauchprodukten der Interspiro-Serie zugelassen.

Interspiro haftet nicht für:

- Produktkombinationen, sofern diese nicht von Interspiro für den Markt freigegeben sind
- Veränderungen / Manipulationen am Produkt durch Dritte

Die Konformitätserklärung finden Sie hier:

<https://interspiro.de/de-de/service-support/downloads/zertifikate-zulassungen>

**Warnung**

Vor der Benutzung des Divator / OX10 / IS-Mix-Systems muss der Benutzer eine umfassende Ausbildung in seiner Anwendung erhalten haben, diese Bedienungsanleitung gelesen und verstanden haben und einem verantwortlichen Ausbilder oder Vorgesetzten seine Fähigkeiten im Umgang mit dem System nachgewiesen haben. Andernfalls kann es zu Verletzungen oder zum Tod des Benutzers kommen und schwerwiegende Folgen für die Rettung von Menschen und / oder die Rettung von Wertgegenständen haben.

**Warnung**

Alle Benutzer des Divator / OX10 / IS-Mix-Systems müssen von einer national oder international anerkannten Schulungsstelle für Taucher zertifiziert sein. Darüber hinaus müssen alle Benutzer des Divator-Systems von einem zertifizierten Tauchinstruktor mit umfassenden Kenntnissen und praktischer Erfahrung im Umgang mit dem Divator-Tauchsystems geschult werden.

**Warnung**

Alle Benutzer des Divator / OX10 / IS-Mix-Systems müssen regelmäßig in flachem Wasser in Notfallmaßnahmen geschult werden, um die Bereitschaft für den Fall eines tatsächlichen Notfalls aufrechtzuerhalten.

**Warnung**

Hochdruckgassysteme sind mit Vorsicht handzuhaben. Schäden an Komponenten des Hochdruckgassystems können zu Verletzungen oder zum Tod führen. Interspiro haftet nicht für Schäden, die durch Nichtbeachtung der Anweisungen in diesem Handbuch entstehen.

**Warnung**

Vor dem Einsatz des Divator / OX10 / IS-Mix-Systems muss sich der Benutzer vergewissern, dass das System ordnungsgemäß geprüft und gewartet wurde.

**Warnung**

Die Atemluft muss den Anforderungen an die Atemluft gemäß EN 12021 entsprechen.

Sicherheitsbegriffe und -symbole

In diesem Dokument werden die Begriffe **WARNUNG** und **HINWEIS** verwendet, um auf mögliche Gefahren hinzuweisen. Bitte lesen Sie die zugehörigen Informationen sorgfältig und befolgen Sie die Sicherheitsanweisungen.

**Warnung**

Der Warnhinweis bezeichnet als **WARNUNG** weist darauf hin, dass die Gefahr schwerer oder tödlicher Verletzungen besteht.

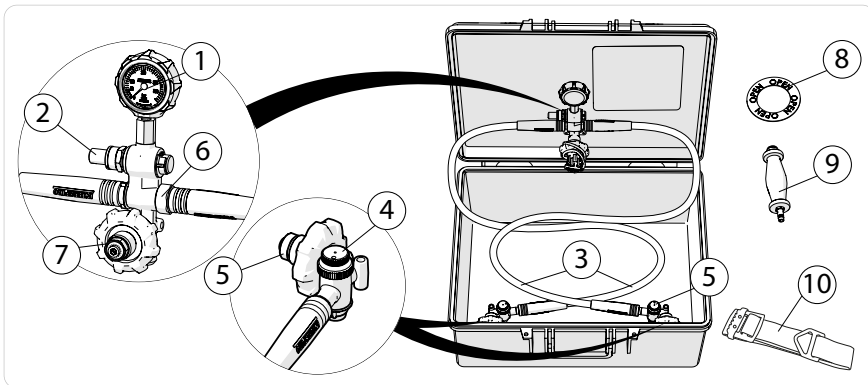
**Hinweis**

Der Gefahrenhinweis bezeichnet als HINWEIS weist auf das Risiko hin, dass die Ausrüstung oder Eigentum beschädigt werden kann.

Vor dem Einsatz

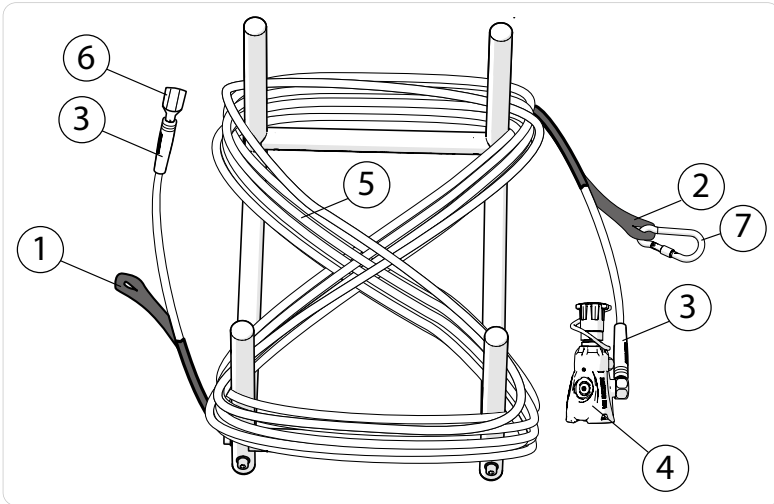
Technische Beschreibung

Das DIVATOR DP1 ist ein Oberflächenversorgungssystem mit einem Betriebsdruck von bis zu 75 bar oder bis zu 300 bar, je nach Version. Der Druck im Versorgungsschlauch variiert zwischen 300 und 55 bar oder zwischen 75 und 55 bar. Es verfügt über zwei Anschlüsse für Hochdruckversorgungsflaschen, die jeweils an eine Hochdruckflaschenversorgung angeschlossen sind. Ein Wechselventil schaltet automatisch auf die Versorgung mit dem höchsten Druck um und der jeweilige Versorgungsdruck wird auf dem Manometer angezeigt. Wenn der Versorgungsdruck auf 55 bar abfällt, ertönt der Warnpfeif und die Versorgung muss durch Öffnen der zweiten Versorgung geändert werden.



Oberflächeneinheit

1. Druckminderer
2. Warnpfeife
3. Adapterschlauch
4. Entlüftungsventil
5. Anschluss zur Versorgungsflasche
6. Automatisches Wechselventil
7. Schlauchanschluss / Schlauchanschluss mit Regulator (je nach Version).
8. "OPEN" Schild
9. Entlüftunggriff
10. Gurt



Tauchschnell

1. Entlastungsschleife Oberfläche
2. Entlastungsschleife Taucher
3. Biegeschutz
4. P+ Regulator mit Schnellkupplung zum Taucher
5. Versorgungsschleife
6. Anschluss an den Ausgang der Oberflächeneinheit
7. Karabiner

Vorbereitung

Taucher

Bereiten Sie das Divator-Tauchgerät gemäß den Anweisungen in der Bedienungsanleitung vor.

Arbeitsabläufe für Oberflächenbegleiter

Eine Checkliste befindet sich auf der Innenseite des Deckels der Oberflächeneinheit.

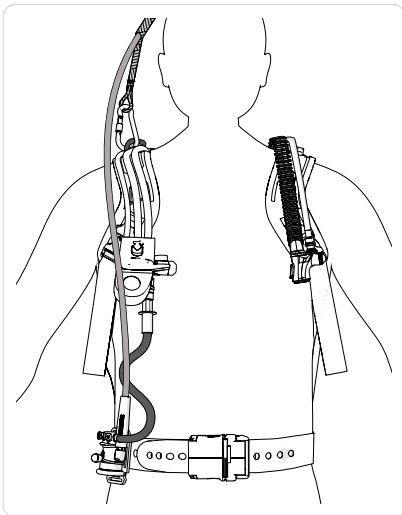
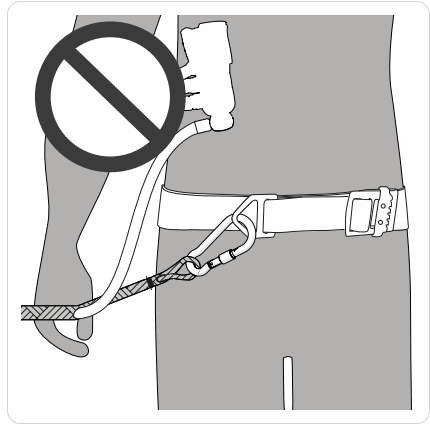
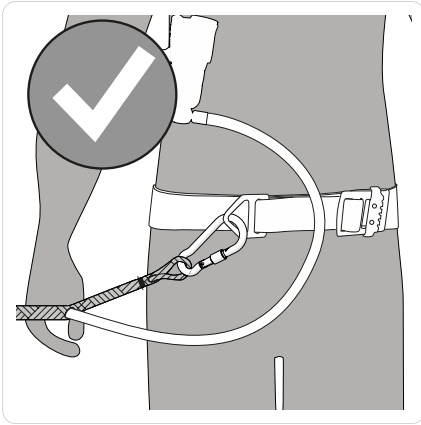
Bitte beachten Sie, dass sich der Text auf der Checkliste je nach Sprachregion oder Benutzeranforderungen unterscheiden kann.

1. Öffnen Sie die Kiste der Oberflächeneinheit. Stellen Sie die Kiste so auf, dass das Manometer leicht zu überwachen ist.

2. Kontrollieren Sie, ob der Versorgungsschlauch vom letzten Tauchgang korrekt aufgewickelt ist (siehe Abschnitt "Wickeln des Versorgungsschlauchs").
3. Kontrollieren Sie die O-Ring-Dichtungen an den Adapterschlauch-Flaschenanschlüssen und am Anschluss der Oberflächeneinheit an den Versorgungsschlauch visuell. Wenn sie Anzeichen von Schäden aufweisen oder fehlen, ersetzen Sie sie durch neue.
4. Schließen Sie den Versorgungsschlauch an die Oberflächeneinheit an.
5. Befestigen Sie den Versorgungsschlauch mit den Ösen sicher an einem festen Gegenstand.
6. Schließen Sie einen Adapterschlauch an eine volle Versorgungsflasche an.
7. Schließen Sie den zweiten Adapterschlauch an eine zweite volle Versorgungsflasche an.
8. Schließen Sie die Entlüftungsventile an den Adapterschläuchen.
9. Öffnen Sie ein Flaschenventil. Überprüfen Sie, ob der akustische Alarm ertönt und ob der Alarm nach kurzer Zeit stoppt, wenn der Druck über 55 bar steigt. Markieren Sie das offene Flaschenventil mit dem Schild "Open".
10. Überprüfen Sie, ob der auf dem Manometer angegebene Druck in der Flasche ausreicht, um den Tauchvorgang zu beginnen.
11. Schließen Sie den Entlüftungsriff an den P + -Regulator an und spülen Sie den Schlauch mit frischer Luft.
12. Überprüfen Sie, ob das Flaschenventil am der Divator-Atemluftflasche vollständig geöffnet ist (Handrad vollständig öffnen und dann eine viertel Umdrehung zurückgedrehen).
13. Überprüfen Sie, ob der Versorgungsschlauch mit der Entlastungsschlaufe und dem Karabiner gesichert und korrekt am Gurt des Tauchers befestigt ist.
14. Überprüfen Sie, ob das DP1 unter Druck steht.
15. Verbinden Sie die Schnellkupplung am P + -Regulator mit dem Divator-Tauchgerät und sichern Sie sie.

**HINWEIS**

Wenn die Rettungsleine richtig angeschlossen ist, kann der Versorgungsschlauch in jede Richtung gezogen werden, ohne die Verbindung zu belasten. Die gesamte Belastung muss von der Entlastungsschleife und dem Karabiner aufgenommen werden.



**Warnung**

Wenn der Versorgungsschlauch an den Taucher angeschlossen und ohne Druck getaucht wird, kann der Wasserdruck höher als der Luftdruck im Schlauchinneren werden und sich das Schlauchinnere teilweise mit Wasser füllen. Bemerkt der Oberflächenbegleiter dann seinen Fehler und setzt den Schlauch unter Druck, kann dem Taucher anstelle von Luft Wasser zugeführt werden.

**Warnung**

Wenn der Versorgungsschlauch jemals ohne Druck in das Wasser gelangt, besteht die Möglichkeit, dass Wasser in den Schlauch gelangt.

**Warnung**

Ein unter Druck stehender Versorgungsschlauch darf nicht unter Wasser an einen Taucher angeschlossen werden.

Während des Tauchens

Arbeitsanweisungen

1. Überprüfen Sie den Druck auf dem Manometer der Oberflächeneinheit so oft wie möglich.
2. Überprüfen Sie den Versorgungsschlauch so oft wie möglich auf Knicke.
3. Seien Sie jederzeit bereit, auf die zweite Luftzufuhrflasche umzuschalten, bevor das Manometer der Oberflächeneinheit 55 bar erreicht.
4. Planen Sie gegebenenfalls den Anschluss weiterer Luftzufuhrflaschen.

Versorgungsflaschen wechseln

1. Öffnen Sie diejenige Flasche mit vollem Druck.
2. Kontrollieren Sie, daß der Druck auf dem Manometer steigt und die Pfeife nicht mehr ertönt.
3. Schließen Sie die Flasche mit niedrigem Druck und setzen Sie sie durch das Entlüftungsventil drucklos.
4. Hängen Sie das "OPEN" -Schild an die offene Flasche.
5. Ersetzen Sie die leere Flasche durch eine volle Flasche.

Extreme Bedingungen

Das Tauchen unter extremen Bedingungen, wie zum Beispiel das Tauchen in kalten Gewässern, erfordert eine spezielle Ausbildung, Planung und Vorbereitung.

Weitere Informationen finden Sie in der separaten Anleitung mit der Dokumentnummer 34228 im Download-Bereich von interspiro.com.

Notfallmaßnahmen

Niedriger Luftversorgungsdruck, Oberfläche

- Im Notfall kann die Oberflächenversorgung verwendet werden, bis der Luftversorgungsdruck auf ca. 20 bar gefallen ist.

**Warnung**

Der Versorgungsschlauch sollte während des Tauchgangs niemals erneut unter Druck gesetzt werden, wenn der Druck im Schlauch unter 10 bar (145 psi) lag. Wasser kann in den Schlauch gelangen, wenn er drucklos und unter Wasser ist.

Oberflächenversorgungsfehler, Taucher

- Sollte der Taucher eine unzureichende oder keine Oberflächenluftversorgung hat, sofort zur Bail-out (Notfall)-Versorgung wechseln.
Brechen Sie nach der Aktivierung der Reserveventilfunktion den Tauchgang ab! Steigen Sie in Richtung Wasseroberfläche auf.

Nach Gebrauch

Abschaltung

1. Trennen Sie den DP1-Versorgungsschlauch vom Divator-Tauchgerät, während er unter Druck steht.
2. Schließen Sie das DP1-Flaschenventil an die DP1-Versorgungsflasche an.
3. Entlüften Sie den Versorgungsschlauch mit dem Entlüftungsriff (nicht durch die Entlüftungsventile an den Adapterschläuchen).



Warnung

Beim Entleeren von Hochdruckluft immer Gehörschutz zu verwenden.

4. Sichern Sie alle Kupplungen mit Staubschutzkappen oder stecken Sie sie in ihren Parkanschlüssen.

Reinigung

1. Reinigen Sie den Schlauch, den Gurt und den Karabinerhaken mit einer Reinigungslösung aus 10% Seife und frischem Wasser.
2. Ein Entfettungsmittel kann verwendet werden, um stark verschmutzte Teile zu reinigen. Bevor Sie ein solches Mittel verwenden, wenden Sie sich an den Hersteller, um zu prüfen, ob es in Kombination mit den in der Divator DP1 Oberflächenversorgung verwendeten Materialien geeignet ist. Befolgen Sie die Anweisungen des Herstellers.
3. Mechanische Teile müssen sorgfältig gereinigt werden, damit Sand oder Staub von den beweglichen Teilen entfernt wird.



HINWEIS

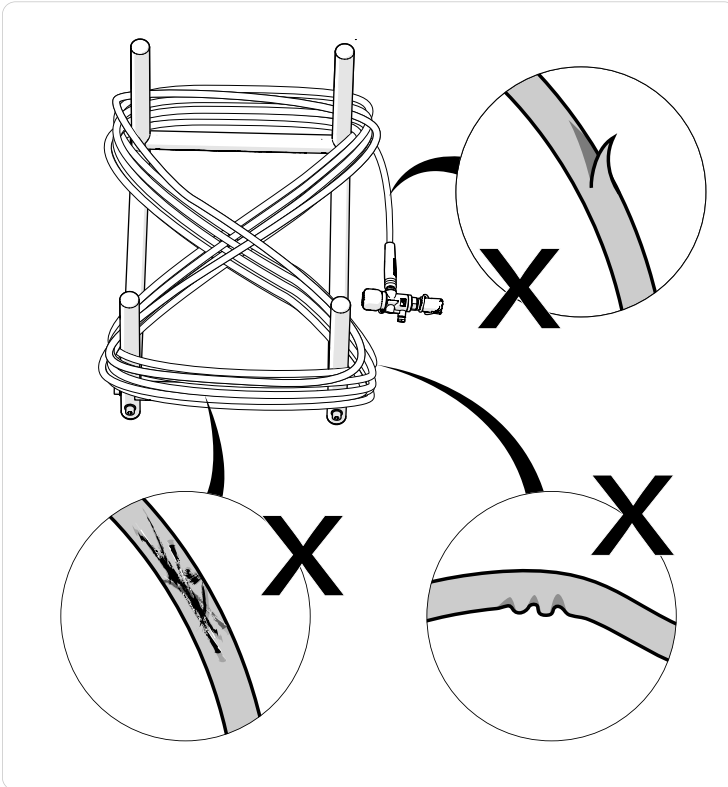
Denken Sie daran, die Oberflächenversorgung beim Waschen in Wasser und Seife unter Druck zu halten.

Sichtprüfung

1. Überprüfen Sie die Ösen an beiden Enden des Versorgungsschlauchs, um sicherzustellen, dass keine Beschädigungen oder chemischen Schäden vorliegen.
2. Überprüfen Sie die Schnellkupplung, kontrollieren Sie, dass die Verriegelungshülse leicht zu bedienen und frei von Sand und Staub ist.
3. Überprüfen Sie alle Schläuche.
Bei Verdacht auf chemische oder mechanische Schäden (z. B. Überlastung) die Anweisungen im Kapitel "Vollständige Schlauchprüfung" befolgen.

Vollständige Schlauchprüfung

1. Vergewissern Sie sich, dass der Schlauch keine chemischen oder mechanischen Schäden (z. B. Überlastung) aufweist.
Überprüfen Sie über die gesamte Länge des Schlauchs, dass keine:
 - Schnitte
 - Kratzer
 - Knicke oder Spuren von Knicken
 - oder chemische Schäden vorliegen.

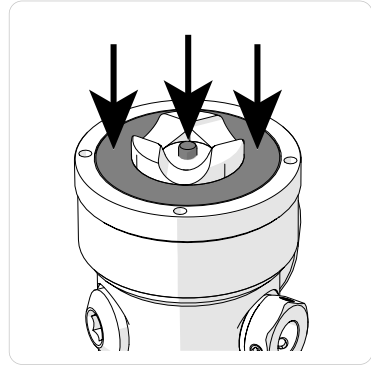
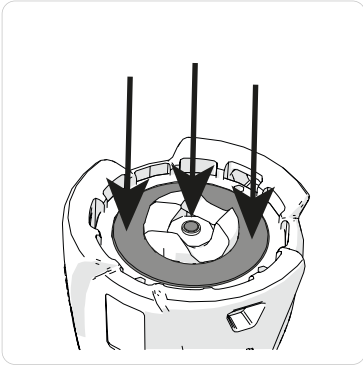


2. Vergewissern Sie sich, dass die Metallrohre an den Schlauchenden unbeschädigt und ohne Risse und / oder Rost sind.
3. Ersetzen Sie beschädigte Schläuche.

Frostschutzgerät

Version RS4 P+ / Pro P+

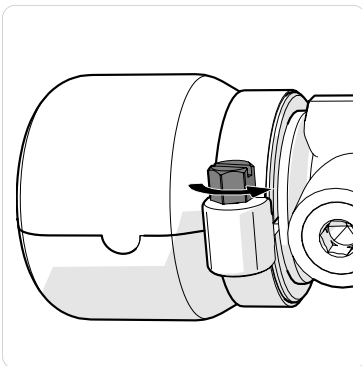
1. Kontrollieren Sie, dass die Frostschutzmembran unbeschädigt ist.
2. Kontrollieren Sie, dass der Knopf in der Mitte unbeschädigt und richtig angebracht ist.



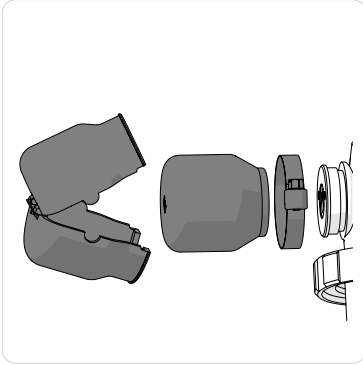
3. Kontrollieren Sie, dass der Gummiring am Überdruckventil des P + -Regulators keine Verformungen aufweist.

Version MKII P+

1. Verwenden Sie den Schraubenzieher.
Entfernen Sie die Schlauchklemme.



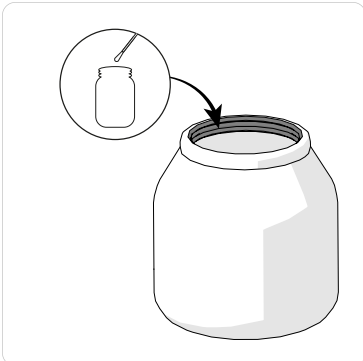
2. Entfernen Sie die Frostschutzabdeckung.
Entfernen Sie die Frostschutzkappe.



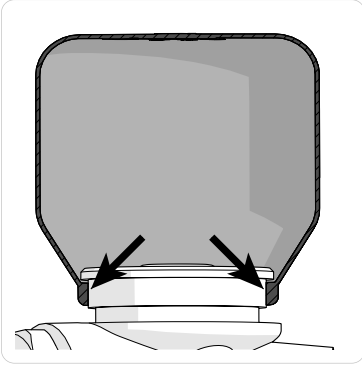
3. Stellen Sie sicher, dass kein Wasser in den Regulator eingedrungen ist.
Wenn sich Wasser im Regulator befindet, blasen Sie Druckluft in eine der Öffnungen, bis der Regulator innen vollständig trocken ist.



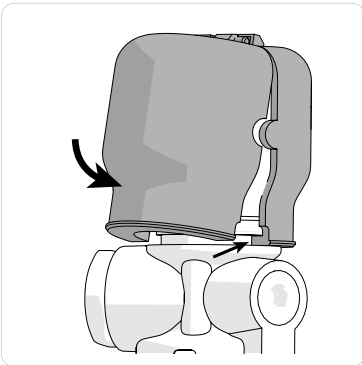
4. Fetten Sie die Frostschutzkappe an der Innenkante ein.



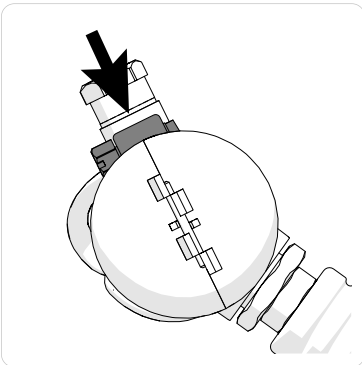
5. Stellen Sie sicher, dass Sie sie gleichmäßig entlang der Kante montieren.
Stellen Sie sicher, dass die Kappe mit Luft gefüllt ist.



6. Montieren Sie die Frostschutzabdeckung.
Stellen Sie sicher, dass die Kunststoffhälften die Frostschutzkappe nicht einklemmen.

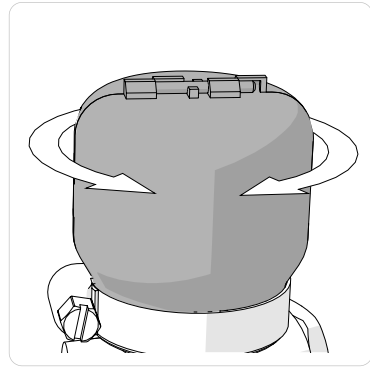
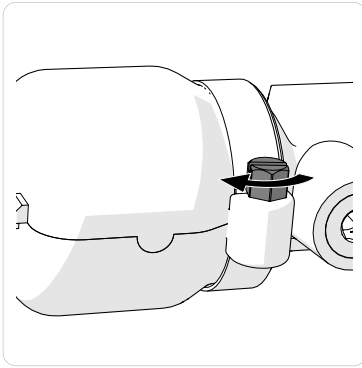


7. Montieren Sie die Schlauchschelle und die Abdeckung in der abgebildeten Richtung.



8. Montieren Sie die Schlauchschelle.

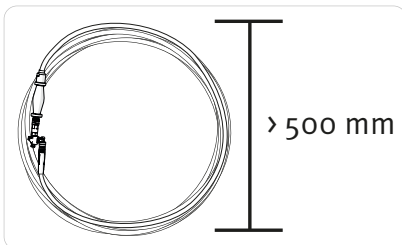
Ziehen Sie die Schlauchklemme an, bis der Deckel verriegelt ist, sich aber noch drehen lässt, ohne dass sich die Frostschutzkappe mitdreht.



Aufwickeln des Versorgungsschlauchs

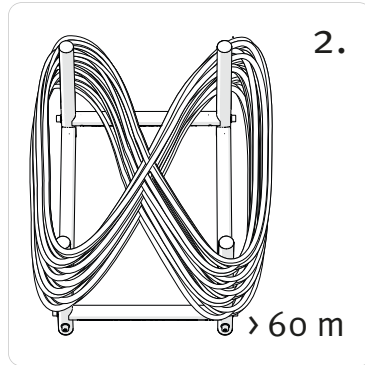
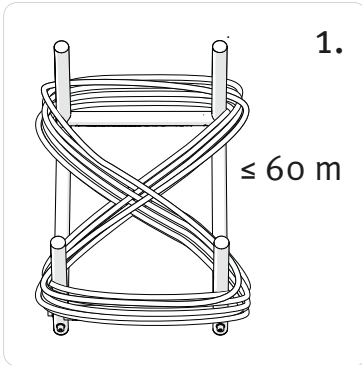
Um ein Knicken des Versorgungsschlauchs zu vermeiden, ist es wichtig, den Schlauch so zu wickeln, dass er sich nicht verdreht (knickt). Knicke können zu Durchflussbeschränkungen führen. Der Versorgungsschlauch sollte in einer Zahl von acht mit einem Durchmesser von mehr als 500 mm (1,5 Fuß) pro Umdrehung unter Druck aufgewickelt werden. Alternativ kann der Schlauch in einem Ring gewickelt werden, aber dann muss er in der oberen und unteren Windung gedreht werden, wenn er gewickelt wird.

Wenn der Versorgungsschlauch aufgewickelt und der Druck im Schlauch abgelassen wurde, sollte er gesichert werden, um ihn während der Handhabung und des Transports an Ort und Stelle zu halten. Die Enden des Versorgungsschlauchs müssen immer vor Wasser und Schmutz geschützt werden, indem die Enden des Versorgungsschlauchs mit dem mitgelieferten Entlüftungsgriff verbunden werden.



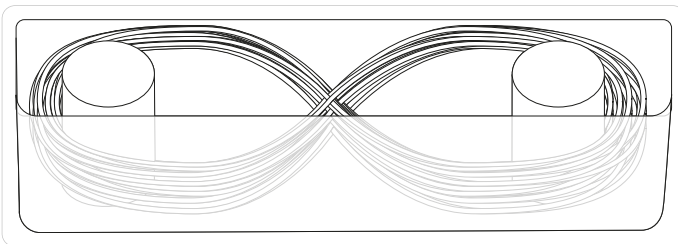
Wickelrahmen für den Divatorschlauch

Der Wickelrahmen besteht aus vier Stangen, um die der Versorgungsschlauch in Achten gewickelt wird. Wickeln Sie gemäß der Bildern unter Berücksichtigung der Länge des Schlauches. Wenn der Schlauch 60 m oder weniger beträgt, wickeln Sie ihn gemäß Bild 1, wenn er länger ist, wickeln Sie ihn gemäß Bild 2 auf. Ausführlichere Anweisungen finden Sie in Dokument 96878.



Transporttasche

Es gibt auch eine Tasche mit zwei Stangen, mit der ein bis zu 60 m langer Versorgungsschlauch aufgewickelt werden kann. Wickeln Sie den Schlauch wie in Abbildung 8 gezeigt um die Stangen in der Tasche.



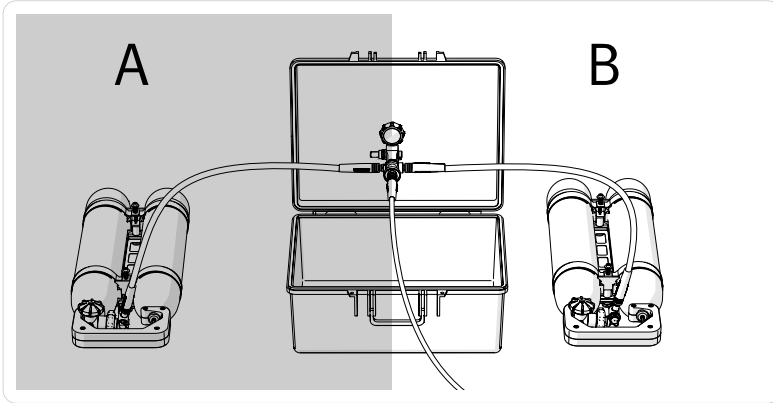
Dichtigkeitsprüfung

Wenn das Gerät die Dichtheitsprüfung nicht besteht, muss es vor dem Gebrauch repariert werden.

Vorbereitung

1. Bereiten Sie zwei Gasflaschen vor, die mit dem gleichen Druck über 200 bar gefüllt sind.
2. Schließen Sie den Versorgungsschlauch an die Oberflächeneinheit an.
3. Verbinden Sie die Adapterschläuche mit den Flaschen.

Prüfung



1. Setzen Sie das Gerät unter Druck, indem Sie beide Flaschenventile öffnen. Warten Sie 3 Minuten, bis sich der Druck stabilisiert hat.
2. Tippen Sie auf das Manometer.
3. Schließen Sie beide Flaschenventile und prüfen Sie, ob 30 Sekunden lang kein Druckabfall erkennbar ist.
4. Auf Seite A:
 1. Öffnen Sie das Entlüftungsventil und warten Sie einige Sekunden, bis der Druck im Adapterschlauch abgelassen wurde.
 2. Kontrollieren Sie, dass am Flaschenanschluss keine hörbare Leckage vorhanden ist.
 3. Schließen Sie das Entlüftungsventil und öffnen Sie das Flaschenventil.
5. Auf Seite B:
 1. Öffnen Sie das Entlüftungsventil und warten Sie einige Sekunden, bis der Druck im Adapterschlauch abgelassen wurde.
 2. Kontrollieren Sie, dass am Flaschenanschluss keine hörbare Leckage vorhanden ist.
 3. Schließen Sie das Entlüftungsventil.

Service und Prüfung

Service und Prüfungen müssen mindestens gemäß dem Service- und Prüfplan von Interspiro mit der Dokumentennummer 30500 oder gemäß den lokalen Anforderungen durchgeführt werden.

Die neuesten Versionen finden Sie unter Downloads auf interspiro.com.

Transport und Lagerung

Alle Teile sollten unter trockenen Bedingungen gelagert werden, gut geschützt vor direkter Sonneneinstrahlung und extremen Temperaturen. Während des Transports muss das Gerät so gelagert werden, dass es nicht beschädigt und Personen nicht verletzt werden können.

Das Gerät darf nicht dort gelagert werden, wo die Temperatur voraussichtlich über 70 °C (158 ° F) liegt. Das Gerät muss vor der Lagerung vollständig trocken sein.



Introduction

Ce manuel de l'utilisateur contient des informations importantes sur la sécurité, la maintenance et l'utilisation. Lisez attentivement ce manuel avant de plonger.

Notice de sécurité

Ce produit, alimentant l'utilisateur en gaz respiratoire, a été testé conformément à la norme EN 1 et doit être utilisé dans le respect des réglementations locales.

Fabricant: Interspiro AB, Box 2853 18728 Täby Sweden

Le manomètre de l'unité d'alimentation de surface est conforme aux normes EN15333-1 et EN250 et porte la mention « EN250 ».

La profondeur de la certification de l'équipement est de 50 mètres (164 pieds) et la longueur maximale du tuyau d'alimentation est de 120 mètres.

Son utilisation est approuvée avec la gamme de produits de plongée Interspiro de la marque SCUBA.

Interspiro décline toute responsabilité pour :

- les associations de produits, sauf si commercialisés par interspiro
- les modifications ou adaptations réalisées sur le produit par un tiers

La déclaration de conformité se trouve ici:

<https://interspiro.com/en-gb/service-support/downloads/certificates-approvals>



Avertissement

Avant d'utiliser le système Divator / OX10 / IS-Mix, l'utilisateur doit avoir reçu une formation complète à son utilisation, avoir lu et compris ces instructions d'utilisation et avoir démontré ses compétences auprès d'un instructeur ou d'un superviseur qualifié. Le non-respect de des consignes peut entraîner des blessures ou la mort de l'utilisateur et peut avoir de graves conséquences pour les personnes à secourir et/ou les biens de valeur à préserver.

**Avertissement**

Tous les utilisateurs du système Divator / OX10 / IS-Mix doivent être certifiés par un organisme de certification de plongée sous-marine reconnu sur le plan national ou international. En outre, tous les utilisateurs du système Divator doivent être formés de manière adéquate à son utilisation par un instructeur de plongée certifié ayant des connaissances et une expérience dans l'utilisation du système de plongée Divator.

**Avertissement**

Tous les utilisateurs du système Divator / OX10 / IS-Mix doivent suivre régulièrement des formations sur les procédures d'urgence en eaux peu profondes afin de maintenir leur capacité d'intervention en cas d'urgence réelle.

**Avertissement**

Les systèmes de gaz à haute pression doivent être manipulés avec précautions. Tout dommage occasionné aux composants du système de gaz à haute pression peut provoquer des blessures ou entraîner la mort. Interspiro décline toute responsabilité pour les dommages résultant du non-respect des instructions contenues dans ce manuel.

**Avertissement**

Avant d'utiliser le système Divator / OX10 / IS-Mix, l'utilisateur doit s'assurer que le système a été correctement inspecté et entretenu.

**Avertissement**

L'air respirable doit satisfaire aux exigences relatives à l'air respirable conformément à la norme EN 12021.

Symboles et termes de sécurité

Dans ce document, les termes AVERTISSEMENT et REMARQUE sont utilisés pour indiquer des dangers potentiels. Lisez attentivement les informations qui y sont associées et respectez les consignes de sécurité.

**Avertissement**

Le terme AVERTISSEMENT est utilisé pour signaler un risque qui peut entraîner des blessures graves ou la mort.

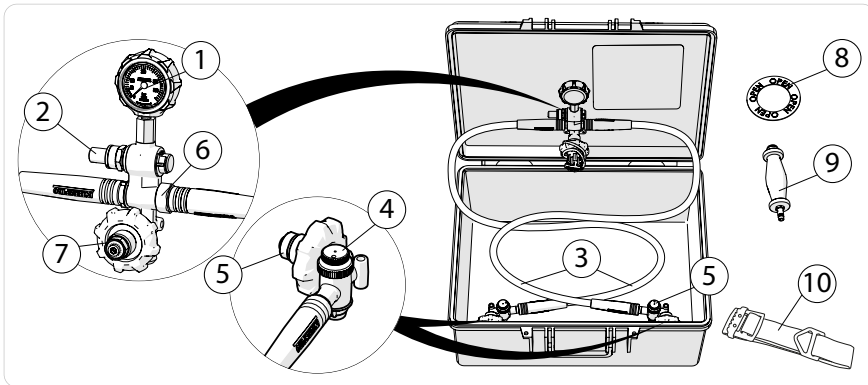
**Avis**

Le terme REMARQUE est utilisé pour signaler un risque potentiel qui peut entraîner des dommages matériels.

Avant utilisation

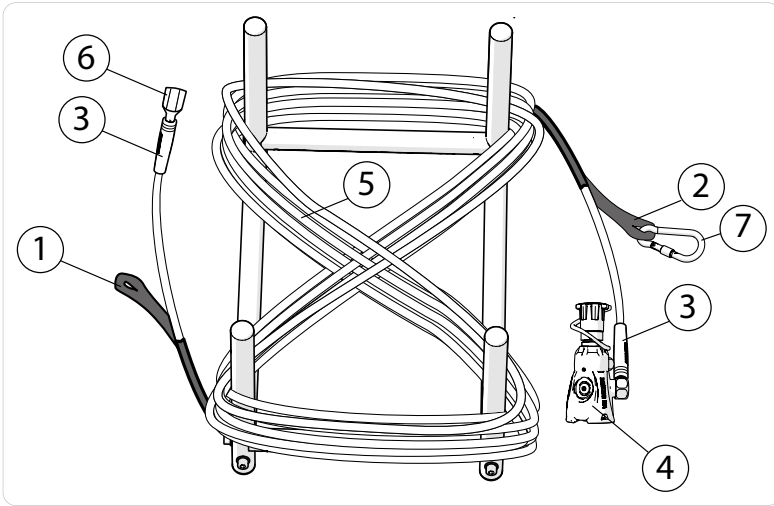
Description technique

Le système DIVATOR DP1 est un dispositif d'alimentation depuis la surface destiné aux activités de plongée, avec une pression de service pouvant atteindre 75 bars ou 300 bars, selon la version. La pression dans le tuyau d'alimentation varie entre 300–55 bars ou entre 75–55 bars. Il intègre deux raccords de bouteille d'alimentation à haute pression, chacun permettant d'être raccordé à une alimentation de bouteille à haute pression. Une vanne-navette bascule automatiquement sur l'alimentation ayant la pression la plus élevée et la pression d'alimentation est indiquée sur le manomètre. Lorsque la pression d'alimentation descend à 55 bars, le sifflet d'avertissement retentit et l'alimentation doit être remplacée en ouvrant la deuxième alimentation.



Unité de surface

1. Manomètre
2. Sifflet d'avertissement en cas de pression basse
3. Tuyau adaptateur
4. Robinet de purge
5. Raccordement à la bouteille d'alimentation
6. Vanne-navette automatique
7. Raccord de tuyau / raccord de tuyau avec détendeur (selon la version).
8. Étiquette "OPEN"
9. Poignée de purge
10. Ceinture



Tuyau de plongée

1. Boucle de décharge surface
2. Boucle de décharge plongeur
3. Protection contre les torsions
4. Détendeur P+ avec raccord rapide au plongeur
5. Tuyau d'alimentation
6. Raccord à la sortie sur l'unité de surface
7. Mousqueton

Préparation

Plongeur

Préparez le Divator SCUBA en suivant les instructions du manuel d'utilisation.

Procédures opérationnelles pour le chef de plongée de surface

Une liste de contrôles est disponible à l'intérieur du couvercle de l'unité de surface.

Il convient de noter que le texte de la liste de contrôles peut varier en fonction de la région linguistique ou des exigences des utilisateurs.

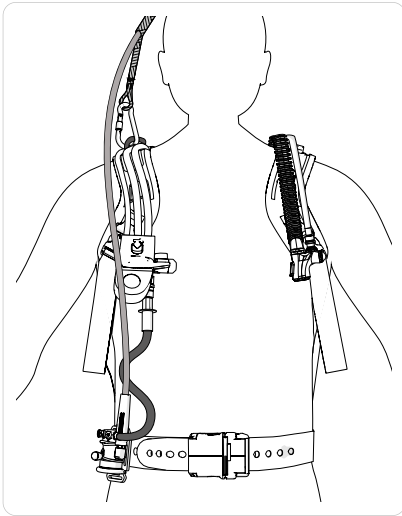
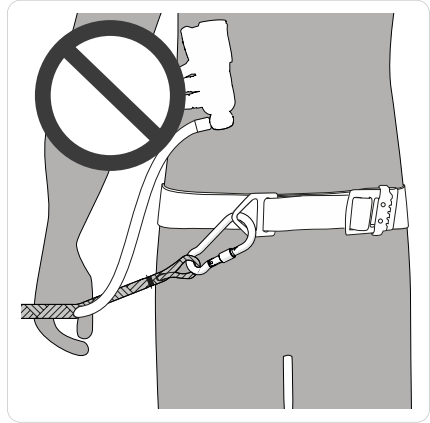
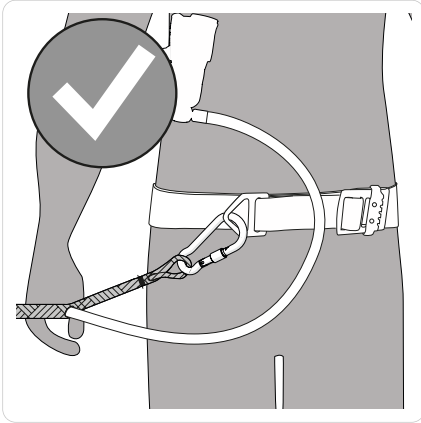
1. Ouvrez le coffret d'unité de surface. Placez le coffret de manière à ce que le manomètre soit bien visible.

2. Vérifiez que le tuyau d'alimentation a été correctement enroulé lors de la dernière plongée (reportez-vous à la section "Enroulement du tuyau d'alimentation").
3. Inspectez visuellement les joints toriques sur les raccords des tuyaux adaptateurs aux bouteilles et sur le raccord de l'unité de surface au tuyau d'alimentation. S'ils présentent des signes de dommages ou s'ils sont manquants, remplacez-les par des neufs.
4. Raccordez le tuyau d'alimentation à l'unité de surface.
5. Attachez le tuyau d'alimentation de manière sûre à un objet fixe en utilisant les œilletons.
6. Raccordez un tuyau adaptateur à une bouteille d'alimentation remplie.
7. Raccordez le deuxième tuyau adaptateur à une deuxième bouteille d'alimentation remplie.
8. Fermez les robinets de purge sur les tuyaux adaptateurs.
9. Ouvrez le robinet d'une bouteille. Vérifiez que l'alarme sonore retentit et que l'alarme s'arrête après une courte période lorsque la pression augmente au-dessus de 55 bars. Marquez le robinet de la bouteille ouverte avec l'étiquette "Open".
10. Vérifiez que la pression dans la bouteille, telle qu'indiquée sur le manomètre, est suffisante pour démarrer votre activité de plongée.
11. Raccordez la poignée de purge au détendeur P+ et rincez le tuyau à l'air frais.
12. Vérifiez que le robinet de la bouteille du Divator SCUBA est complètement ouvert (volant entièrement ouvert puis refermé d'un ¼ de tour).
13. Vérifiez que le tuyau d'alimentation est fixé et correctement attaché à la ceinture du plongeur à l'aide de la boucle de décharge et du mousqueton.
14. Vérifiez que le système DP1 est pressurisé.
15. Raccordez le raccord rapide du détendeur P+ au Divator SCUBA et bloquez-le.



REMARQUE

Avec la ligne de vie correctement connectée, il est possible de tirer le tuyau d'alimentation dans n'importe quelle direction sans forcer la connexion. Toute la tension doit être absorbée par la boucle de décharge et le mousqueton.



**Avertissement**

Si le tuyau d'alimentation est raccordé au plongeur et que celui-ci plonge sans que le tuyau ne soit pressurisé, la pression de l'eau peut devenir plus élevée que la pression de l'air à l'intérieur du tuyau et peut remplir partiellement l'intérieur du tuyau avec de l'eau. Si le chef de plongée de surface se rend alors compte de son erreur et met le tuyau sous pression, le plongeur pourrait être alimenté en eau à la place de l'air.

**Avertissement**

Dans le cas où le tuyau d'alimentation pénètre dans l'eau sans être pressurisé, il est possible que de l'eau pénètre dans le tuyau.

**Avertissement**

Un tuyau d'alimentation pressurisé ne doit jamais être raccordé à un plongeur sous l'eau.

Pendant l'utilisation

Procédures opérationnelles

1. Vérifiez fréquemment la pression sur le manomètre de l'unité de surface.
2. Vérifiez fréquemment que le tuyau d'alimentation ne forme pas de coude.
3. Soyez prêt à basculer sur la deuxième bouteille d'alimentation en air avant que le manomètre de l'unité de surface n'atteigne 55 bars.
4. Si nécessaire, prévoyez le raccordement d'autres bouteilles d'alimentation en air.

Changement de bouteille d'alimentation

1. Ouvrez la bouteille ayant une pression maximale.
2. Vérifiez que la pression monte sur le manomètre et que le sifflet s'arrête.
3. Fermez la bouteille avec une pression basse et dépressurisez-la par le robinet de purge.
4. Déplacez l'étiquette "OPEN" sur la bouteille ouverte.
5. Remplacez la bouteille vide par une bouteille ayant une pression maximale.

Conditions extrêmes

La plongée en conditions extrêmes, telles que la plongée en eaux froides, nécessite un entraînement, une planification et une préparation spécifiques.

Pour en savoir plus, reportez-vous aux instructions spécifiques, sous la référence 34228, disponibles en téléchargement sur interspiro.com.

Procédures d'urgence

Faible pression d'alimentation en air, surface

- En cas d'urgence, l'alimentation de surface peut être utilisée jusqu'à ce que la pression d'alimentation en air soit descendue jusqu'à environ 20 bars.

**Avertissement**

Le tuyau d'alimentation ne doit jamais être remis sous pression pendant la plongée si la pression dans le tuyau a été inférieure à 10 bars (145 psi). L'eau peut entrer dans le tuyau lorsqu'il est dépressurisé et submergé.

Défaut d'approvisionnement en surface, plongeur

- Si l'alimentation en air de surface du plongeur est insuffisante ou nulle, passez immédiatement à l'alimentation de secours. Après avoir activé la fonction du robinet de réserve, interrompez la plongée ! Commencez à remonter vers la surface de l'eau.

Après utilisation

Débranchement

1. Débranchez le tuyau d'alimentation DP1 du Divator SCUBA pendant qu'il est sous pression.
2. Fermez le robinet de la bouteille DP1 sur la bouteille d'alimentation DP1.
3. Purgez le tuyau d'alimentation à l'aide de la poignée de purge (et non par les robinets de purge des tuyaux adaptateurs).



Avertissement

Portez toujours des protections auditives lorsque vous laissez s'échapper de l'air à haute pression.

4. Protégez tous les raccords de la poussière avec des caches ou placez-les dans leurs rangements.

Nettoyage

1. Nettoyez le tuyau, la ceinture et le mousqueton avec une solution de nettoyage composée de 10 % de savon et d'eau douce.
2. Un agent dégraissant peut être utilisé pour nettoyer les pièces très encrassées. Avant d'utiliser un tel produit, contactez le fabricant de celui-ci pour vérifier qu'il convient au type de matériaux utilisés dans le système d'alimentation de surface Divator DP1. Veuillez vous conformer aux instructions reçues du fabricant.
3. Les pièces mécaniques doivent être nettoyées avec soin afin d'éliminer le sable ou la poussière des pièces mobiles.



REMARQUE

N'oubliez pas de maintenir l'alimentation de surface sous pression lors du nettoyage à l'eau et au savon.

Inspection visuelle

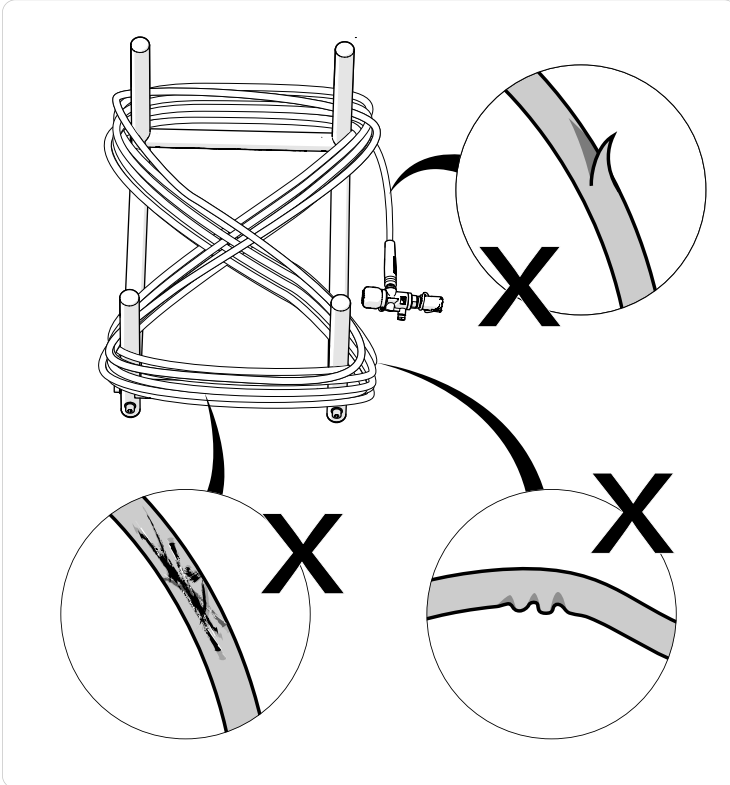
1. Inspectez les œillets aux deux extrémités du tuyau d'alimentation pour vous assurer que ceux-ci ne sont pas endommagés ou détériorés par les produits chimiques.
2. Vérifiez le raccord rapide, assurez-vous que le manchon de verrouillage se manœuvre facilement et qu'il est exempt de sable et de poussière.
3. Inspectez tous les tuyaux.
Si vous suspectez des dommages chimiques ou mécaniques (tels qu'une surcharge), veuillez suivre les instructions du chapitre "Inspection complète des tuyaux".

Inspection complète des tuyaux

1. Assurez-vous que le tuyau ne présente aucun dommage chimique ou mécanique (comme une surcharge).

Inspectez le tuyau sur toute sa longueur et vérifiez qu'il est exempt :

- de coupures
- d'éraflures
- de pliures ou de traces de torsion
- ou de dommages chimiques.

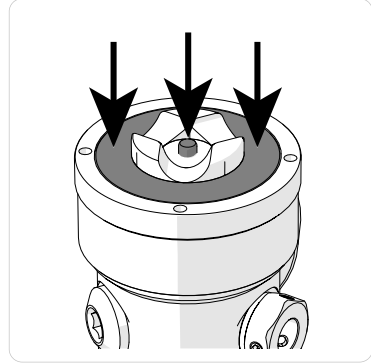
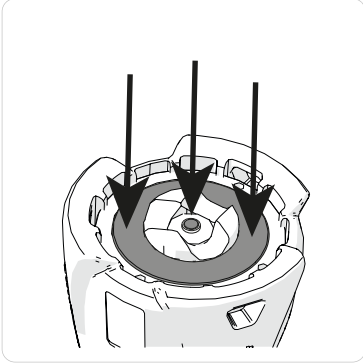


2. Assurez-vous que les tubes métalliques aux extrémités du tuyau ne sont pas endommagés et qu'ils ne présentent pas de fissures et/ou de traces de rouille.
3. Remplacez les tuyaux endommagés.

Unité antigel

Version RS4 P+ / Pro P+

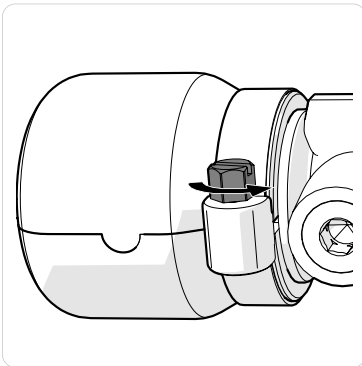
1. Vérifiez que la membrane antigel n'est pas endommagée.
2. Vérifiez que le bouton au centre est intact et en place.



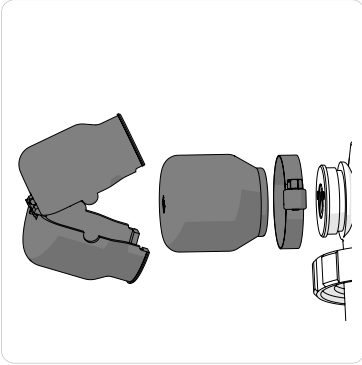
3. Vérifiez que la bague en caoutchouc de la soupape de décharge du détenteur P+ ne présente aucune déformation.

Version MKII P+

1. Utilisez le tournevis.
Retirez le collier de serrage.



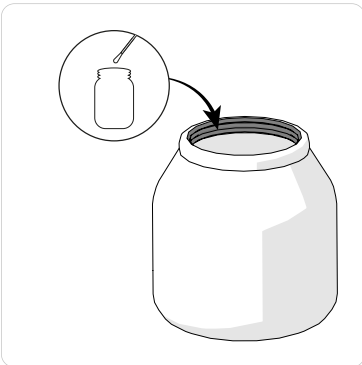
2. Retirez le couvercle antigel.
Retirez le bouchon antigel.



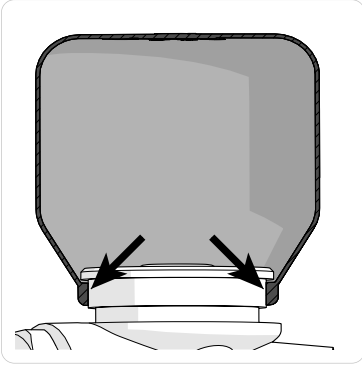
3. Assurez-vous qu'il n'y a pas d'eau dans le détendeur.
Si de l'eau est entrée dans le détendeur, soufflez de l'air comprimé dans l'un des orifices jusqu'à ce que le détendeur soit complètement sec à l'intérieur.



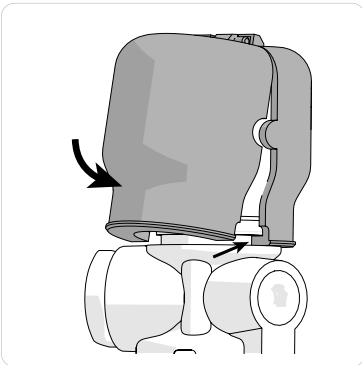
4. Lubrifiez le bouchon antigel sur le bord intérieur.



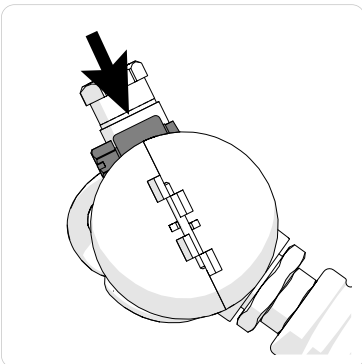
5. Veillez à l'assembler uniformément le long du bord.
Veillez à ce que le bouchon soit rempli d'air.



6. Montez le couvercle antigel.
Veillez à ce que les deux moitiés en plastique ne pincent pas le bouchon antigel.

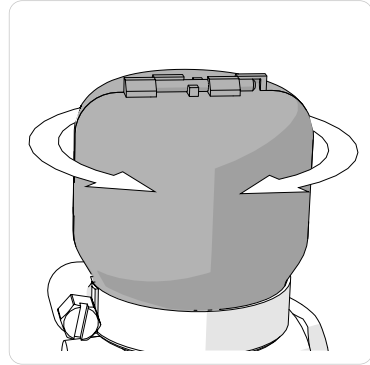
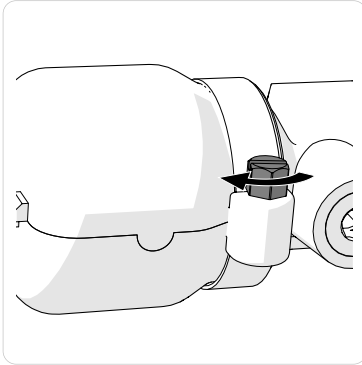


7. Assemblez le collier de serrage et le couvercle dans le sens indiqué sur l'image.



8. Montez le collier de serrage.

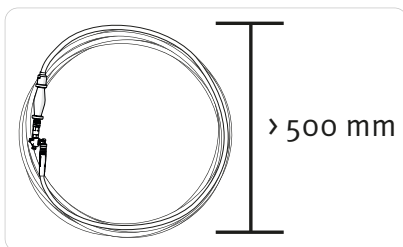
Serrez le collier de serrage jusqu'à ce que le couvercle soit verrouillé mais qu'il soit encore possible de le tourner sans que le bouchon antigel ne tourne en même temps.



Enroulement du tuyau d'alimentation

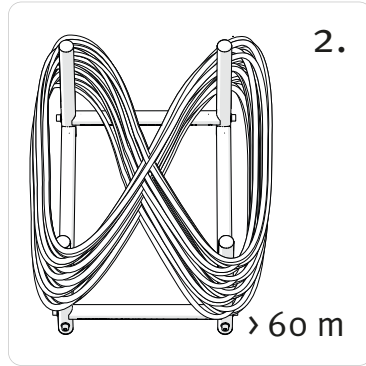
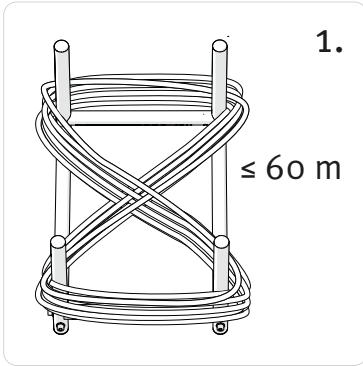
Pour éviter que le tuyau d'alimentation ne forme des torsions (coudes), il est important de l'enrouler de manière à ce qu'il ne soit pas vrillé. Les torsions peuvent entraîner des restrictions de débit. Le tuyau d'alimentation doit être enroulé sous pression en formant des huit avec un diamètre de plus de 500 mm (1,5 pied) pour chaque tour. On peut aussi enrouler le tuyau en forme de couronne, chaque boucle alternée étant inversée. Continuez à faire des boucles en alternant le dessus et le dessous.

Lorsque le tuyau d'alimentation a été enroulé et que la pression dans le tuyau a été libérée, il doit être fixé pour être maintenu en place pendant la manipulation et le transport. Les extrémités du tuyau d'alimentation doivent toujours être protégées de l'eau et des salissures en les raccordant à la poignée de purge fournie.



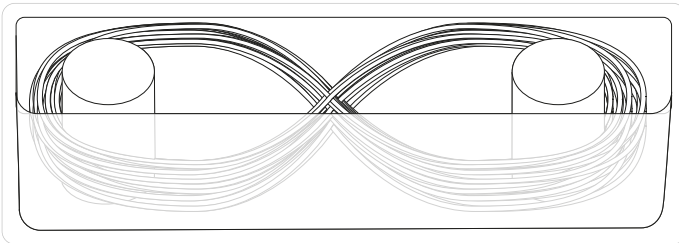
Cadre d'enroulement de tuyau Divator

Le cadre d'enroulement est constitué de quatre tiges pour enrouler le tuyau d'alimentation en forme de huit. Enroulez le tuyau selon les images en fonction de sa longueur. Si la longueur du tuyau est inférieure ou égale à 60 m, enroulez-le selon l'image 1. S'il est plus long, enroulez-le selon l'image 2. Pour obtenir des instructions plus détaillées, reportez-vous au document référence 96878.



Sac de transport

Un sac muni de deux tiges est également disponible et peut être utilisé pour enrouler un tuyau d'alimentation mesurant jusqu'à 60 m de long. Enroulez le tuyau de la figure 8 autour des tiges dans le sac.



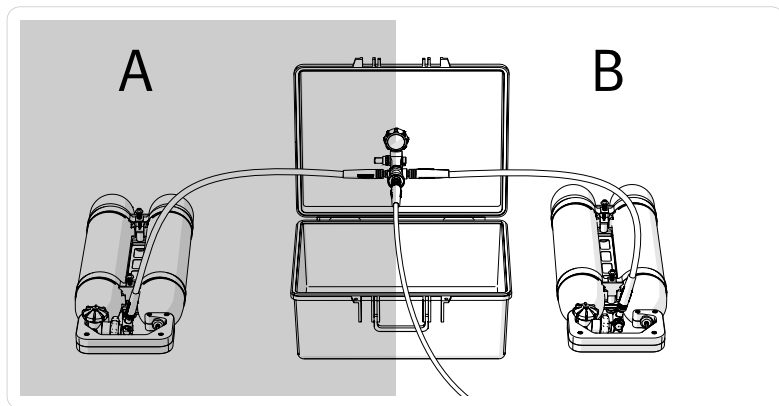
Test d'étanchéité

Si l'unité échoue au test d'étanchéité, elle doit être réparée avant d'être utilisée.

Préparatif

1. Préparez deux bouteilles de gaz remplies à la même pression, supérieure à 200 bars.
2. Raccordez le tuyau d'alimentation à l'unité de surface.
3. Raccordez les tuyaux adaptateurs aux bouteilles.

Test



1. Pressurisez l'unité en ouvrant les deux robinets des bouteilles, patientez 3 minutes pour laisser la pression se stabiliser.
2. Appuyez sur le manomètre.
3. Fermez les deux robinets des bouteilles et vérifiez qu'il n'y a pas de chute de pression visible pendant 30 secondes.
4. Sur le côté A :
 1. Ouvrez le robinet de purge et attendez quelques secondes pour libérer la pression dans le tuyau adaptateur.
 2. Vérifiez qu'il n'y a pas de fuite audible au niveau du raccord de la bouteille.
 3. Fermez le robinet de purge et ouvrez le robinet de la bouteille.
5. Sur le côté B :
 1. Ouvrez le robinet de purge et attendez quelques secondes pour libérer la pression dans le tuyau adaptateur.
 2. Vérifiez qu'il n'y a pas de fuite audible au niveau du raccord de la bouteille.
 3. Fermez le robinet de purge.

Entretiens et tests

Les entretiens et les tests doivent, au minimum, être effectués conformément au programme d'entretien et de tests d'Interspiro avec le document N° 30500 ou conformément aux exigences locales.

Les dernières versions sont disponibles sous la section Téléchargements sur interspiro.com.

Transport et stockage

Tous les éléments doivent être conservés au sec, bien protégés de la lumière directe du soleil et des températures extrêmes. Lors du transport, l'équipement doit être rangé de manière à ne pas subir de dommages ni à occasionner de blessures.

L'équipement ne doit pas être conservé dans un endroit où la température est susceptible de dépasser 70 °C. L'équipement doit toujours être complètement sec avant d'être stocké.

Introduktion

Denna användarhandbok innehåller viktig information om säkerhet, underhåll och användning. Läs denna bruksanvisning noggrant innan du dyker.

Säkerhetsföreskrifter

Denna produkt som levererar andningsgas till användaren, har testats i enlighet med EN15333-1 och ska användas enligt lokala föreskrifter.

Tillverkare: Interspiro AB, Box 2853 18728 Täby Sverige

Manometern i ytenheten överensstämmer med EN15333-1 och EN250 och är märkt med "EN250".

Utrustningen är certifierad till ett djup på 50 meter (164 fot) och den maximala längden på matningsslangen är 120 meter.

Den är godkänd för användning tillsammans med Interspiros sortiment av dykprodukter.

Interspiro ansvarar inte för:

- kombinationer av produkter, om dessa inte säljs av Interspiro
- förändringar eller anpassningar av produkten utförda av tredje part

Försäkran om överensstämmelse finns här:

<https://interspiro.com/en-gb/service-support/downloads/certificates-approvals>



Varning

Innan Divator / OX10 / IS-Mix system används måste användaren ha fått utbildning i hur den används, ha läst och förstått dessa bruksanvisningar och demonstrerat sina färdigheter för ansvarig instruktör eller handledare. Om så inte sker kan det leda till skador eller dödsfall för användaren och kan ha allvarliga konsekvenser för räddning av personer och/eller undsättning av värdeföremål.

**Varning**

Samtliga användare av Divator / OX10 / IS-Mix system ska certifieras av nationellt eller internationellt erkänt Scuba-certifieringsorgan. Samtliga användare av Divator-systemet måste även ha fått tillräcklig utbildning i systemets användning av en legitimerad dykinstruktör med kunskap och erfarenhet av att använda Divator dyksystem.

**Varning**

Samtliga användare av Divator / OX10 / IS-Mix system ska regelbundet genomgå nödfallsutbildning för grunt vatten så att de är förberedda i händelse av en faktisk nödsituation.

**Varning**

Hantera alltid högtryckssystem varsamt. I vissa fall kan skador på trycksatta delar leda till kroppsskador eller döden. Interspiro fransäger sig allt ansvar för skador som inträffar till följd av att anvisningarna i den här handboken inte följs.

**Varning**

Innan Divator/OX10/IS-Mix system används, måste användaren se till att systemet har inspekterats och underhållits på rätt sätt.

**Varning**

Andningsgasen ska uppfylla kraven på andningsgas enligt EN 12021.

Säkerhetstermer och symboler

I detta dokument används uttrycken VARNING och OBSERVERA för att indikera tänkbara säkerhetsrisker. Läs den tillhörande informationen noga och följ säkerhetsanvisningarna.



Varning

VARNING är en typ av riskangivelse som innebär att det kan finnas en risk för allvarlig personskada eller dödsfall.



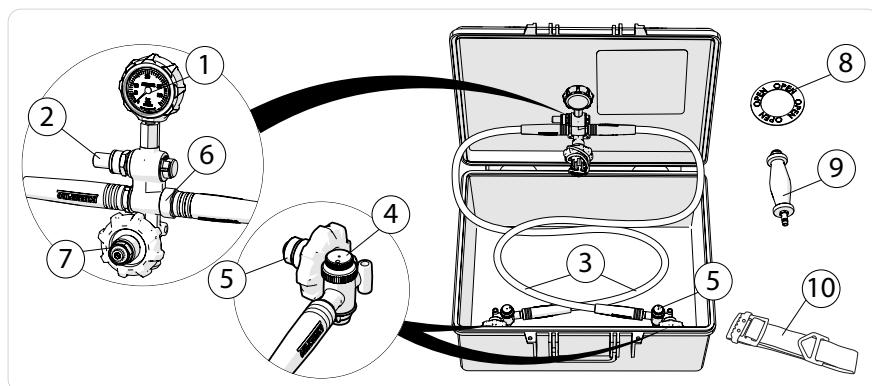
Obs!

En varningsmarkering innebär att det kan finnas en risk för skador på utrustning eller egendom.

Före användning

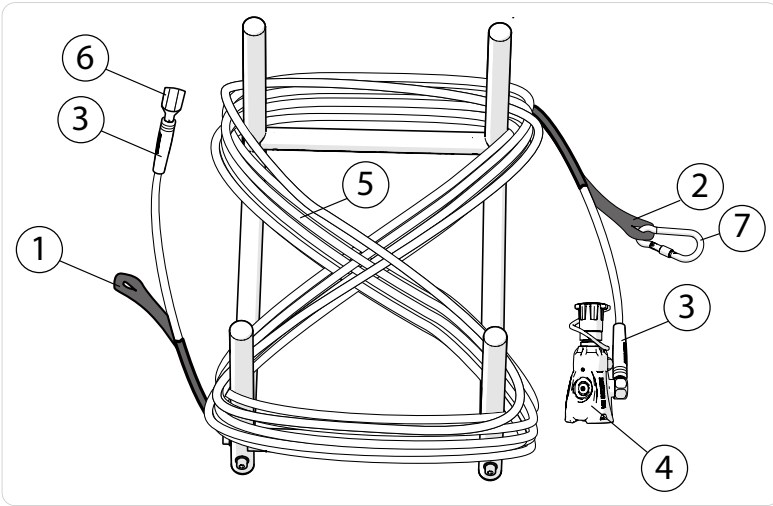
Teknisk beskrivning

DIVATOR DP1 är ett slangdykssystem med ett arbetstryck på upp till 75 bar eller upp till 300 bar, beroende på version. Trycket i ytförsörjningsslangen varierar mellan 300–55 bar eller mellan 75–55 bar. Den har två högtrycksanslutningar som vardera ansluts till en gasflaska eller flaskpaket. Skyttelventilen växlar automatiskt över till gasflaskan / flaskpaketet med högst tryck. Manometern visar trycket i den flaska som används för tillfället. När matningstrycket sjunker till 55 bar ljuder varningsvisslan och gaskällan måste bytas genom att den oanvända gasflaskan öppnas



Ytenhet

1. Manometer
2. Lågtrycksvissla
3. Adapterslang
4. Avluftningsventil
5. Anslutning till gasflaska
6. Automatisk skyttelventil
7. Högtrycksanslutning för ytförsörjningsslang med eller utan regulator (beroende på version)
8. Öppen-markering ("OPEN")
9. Avluftningshandtag
10. Bälte



Ytförsörjningsslang

1. Ögla för att fästa vid ytan
2. Ögla för att fästa vid dykare
3. Böjskydd
4. P+ regulator med snabbkoppling till dykare
5. ytförsörjningsslang
6. Anslutning till uttag på ytenhet
7. Karbinhake

Förberedelse

Dykare

Förbered Divator SCUBA enligt instruktionerna i dess användarhandbok.

Anvisningar för medhjälpare ovanför ytan

Kontrollista finns på insidan av ytenhetens lock.

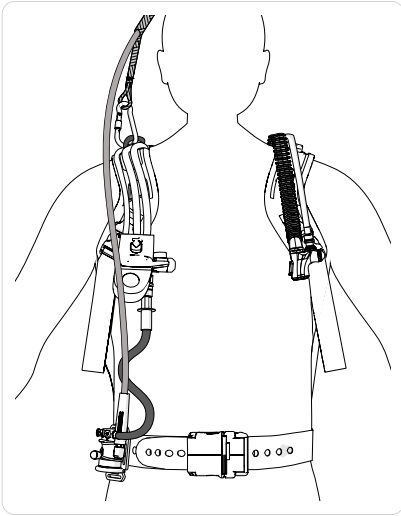
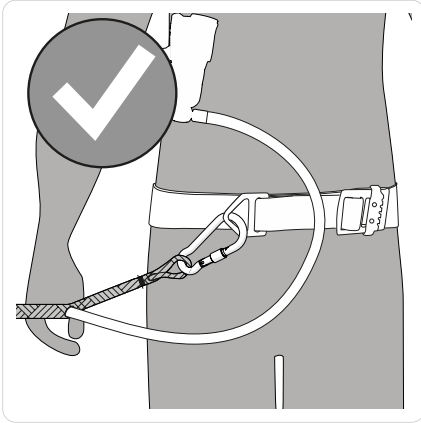
Observera att texten på kontrollistan kan variera beroende på språkområde eller användarbehov.

1. Öppna ytenhetens låda. Placera lådan så att tryckmätaren alltid är inom synhåll.
2. Kontrollera att ytförsörjningsslangen är korrekt lindad efter den senaste dykningen (se avsnitt "Linda ytförsörjningsslangen")

3. Besiktiga de tätande O-ringarna på adapterslangens flaskanslutningar och på ytenhetens anslutning till ytförsörjningsslangen. Ersätt dem om de är skadade eller saknas.
4. Anslut ytförsörjningsslangen till ytenheten.
5. Säkra ytförsörjningsslangen ordentligt vid ett fast föremål med hjälp av öglorna.
6. Anslut en adapterslang till en full gasflaska.
7. Anslut den andra adapterslang till en andra full gasflaska.
8. Stäng luftningsventilerna på adapterslangarna.
9. Öppna en flaskventil. Kontrollera att larmet ljuder och att det upphör efter en liten stund när trycket stiger. Markera vilken flaska som är öppen med Öppen-markeringen.
10. Kontrollera att det flasktryck som mätaren visar är tillräckligt för att påbörja dykningen.
11. Anslut avluftningshandtaget till P+-regulatorn och spola slangen med friskluft.
12. Kontrollera att flaskventilen på Divator dykflaskan är helt öppen (ratten fullt öppen och sedan vriden tillbaka 1/4-dels varv).
13. Kontrollera att ytförsörjningsslangen är säkrad och korrekt fäst till dykarens bälte med hjälp av avlastningsslingan och karbinhaken.
14. Kontrollera att DP1 är trycksatt.
15. Koppla snabbkopplingen på P+ regulatorn till Divator SCUBA och säkra den.

**OBSERVERA**

Med en korrekt kopplad livlina skall det vara möjligt dra i dykslangen/livlinan i valfri riktning utan att anslutningen belastas. Allt drag i livlinan skall tas upp via avlastningsstroppen och karbinhaken



**Varning**

Om ytförsörjningsslangen är ansluten till dykaren och den sänks ned i vatten utan att vara trycksatt kan vattentrycket bli högre än lufttrycket i slangen. Detta kan medföra att slangen delvis fylls med vatten. Om medhjälparen sedan inser felet och trycksätter slangen kan dykaren matas med vatten istället för luft.

**Varning**

Så fort ytförsörjningsslangen hamnar i vatten utan att vara trycksatt är det en risk att vatten kommer in i slangen.

**Varning**

En trycksatt ytförsörjningsslang ska inte anslutas till en dykare under vatten.

Användning

Anvisningar

1. Kontrollera trycket på ytenhetens manometern med täta mellanrum.
2. Kontrollera regelbundet att ytförsörjningsslangen inte veckar sig.
3. Vara redo att växla över till den sekundära luftflaskan innan ytenhetens mätare når 55 bar.
4. Vid behov planera för anslutning av ytterligare luftflaskor.

Byta gasflaska

1. Öppna den flaska som har fullt tryck.
2. Kontrollera att trycket stiger på manometern och att visselpipan tystnar.
3. Stäng flaskan som har för lågt tryck och lufta den genom avluftningsventilen.
4. Flytta ÖPPEN-markeringen till den öppna flaskan.
5. Byt den tomma flaskan till en flaska med fullt tryck.

Extrema förhållanden

Dykning under extrema förhållanden, såsom dykning i kalla miljöer, kräver särskild träning, planering och förberedelse.

Se den separata instruktionen med dokumentnummer 34228, tillgänglig på nedladdningssidan på interspiro.com, för mer information.

Rutiner för nödfall

Lågt lufttryck, yta

- I en nödsituation kan ytmatningen användas tills lufttillförseln har sjunkit till cirka 20 bar.

**Varning**

Ytförsörjningsslangen ska aldrig trycksättas igen under dyket ifall trycket i slangen har understigit 10 bar (145 psi). Vatten kan tränga in i slangen om den har för lågt tryck när den är under ytan, som tidigare nämnts.

Fel på slangdyksystemet, dykare

- Om du som dykare får för lite eller ingen luft från slangdyksystemet växla omedelbart till bailout-luftkällan.
Avbryt dykningen efter att ha aktiverat reservventils-funktionen! Påbörja uppstigningen mot ytan.

Efter användning

Frånkoppling

1. Koppla bort ytmatningsslangen från Divator SCUBA medan den är trycksatt.
2. Stäng DP1 flaskventilen på DP1 matningsflaskan.
3. Ventilera ytmatningsslangen med hjälp av avluftningshandtaget (inte genom avluftningsventilerna på adapterslangarna).



Varning

Använd alltid hörselskydd när du tömmer flaskor.

4. Skydda alla kopplingar med dammskydd eller parkera dem i deras parkeringsanslutningar.

Rengöring

1. Rengör slangen, bältet och karbinhaken med en rengöringslösning som består av 10 procent tvål och färskvatten.
2. Ett avfettningsmedel kan användas vid rengöring av kraftigt förorenade delar. Innan du använder ett sådant medel ska du kontakta tillverkaren av det och kontrollera om det är lämpligt att kombinera med de typer av material som förekommer i Divator DP1 slangdyksystem. Följ tillverkarens anvisningar.
3. Mekaniska delar måste rengöras noggrant så att sant och damm avlägsnas från de rörliga delarna.



OBSERVERA

Tänk på att hålla slangdyksystemet trycksatt när du rengör med tvål och vatten.

Visuell inspektion

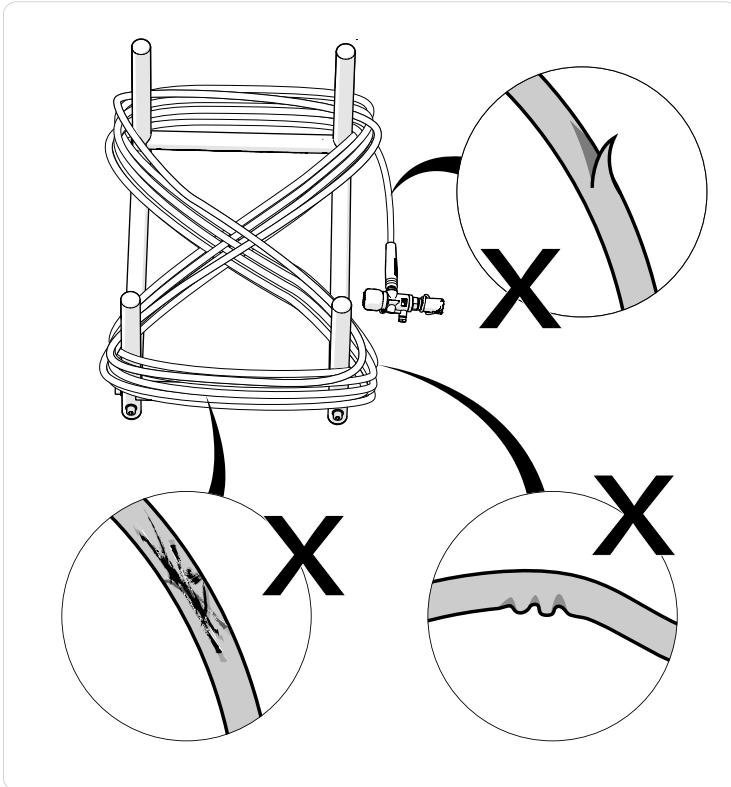
1. Inspektera öglorna i båda ändarna av matningsslangen för att säkerställa att det inte finns någon skada eller kemisk påverkan.
2. ontrollera snabbkopplingen, se till att låshylsan lätt kan manövreras och att den är fri från sand och damm.
3. Kontrollera alla slangar.
Om du misstänker kemiska eller mekaniska skador (t.ex. överbelastning), följ instruktionerna i kapitlet "Fullständig slangkontroll".

Fullständig slangkontroll

1. Se till att det inte finns några kemiska eller mekaniska skador (som överbelastning) på slangen.

Kontrollera längs hela slangens längd att det inte finns några:

- skärskador
- skrapmärken
- veck eller spår av veck
- eller kemiska skador

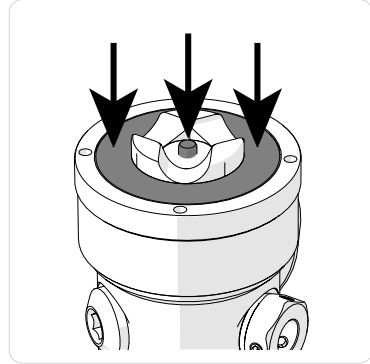
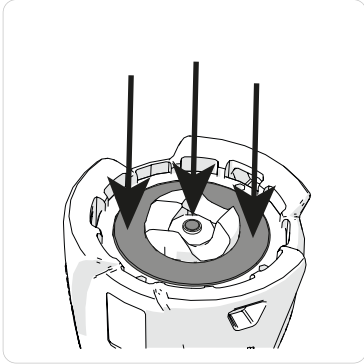


2. Kontrollera att metallhylsorna i slangändarna är oskadade och utan sprickor och/eller rost.
3. Byt ut skadade slangar.

Frysskyddsenshet

RS4 P+ / Pro P+

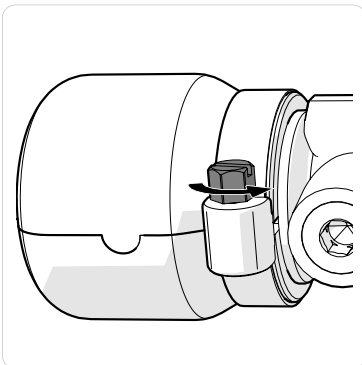
1. Kontrollera att frysskyddets membran är oskadat.
2. Kontrollera att knoppen i mitten är oskadad och på plats.



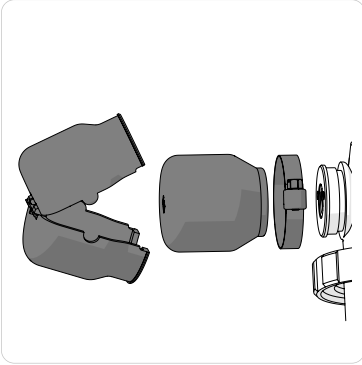
3. Kontrollera att gummiringen på regulatorns övertrycksventil inte har några deformationer.

MKII P+

1. Använd skruvmejseln.
Ta loss slangklämman.



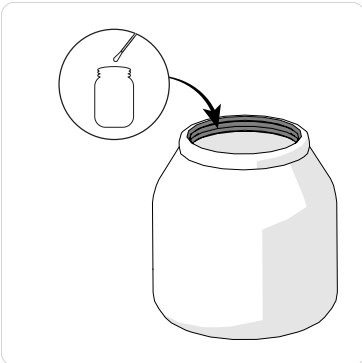
2. Demontera frostskyddskåpan.
Ta bort frostskyddshättan.



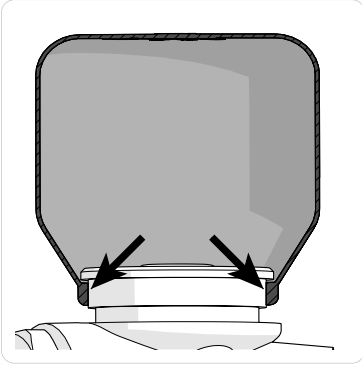
3. Säkerställ att inget vatten har kommit in i regulatorn.
Om det är vatten i regulatorn, blås med tryckluft i ett av hålen tills regulatorn är helt torr inuti.



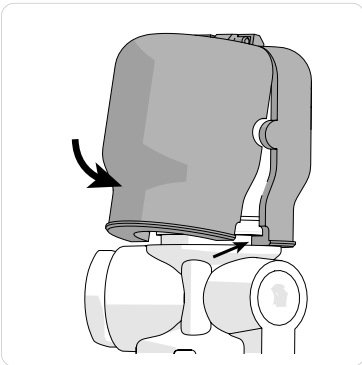
4. Smörj insidan av kanten på frostskyddshättan.



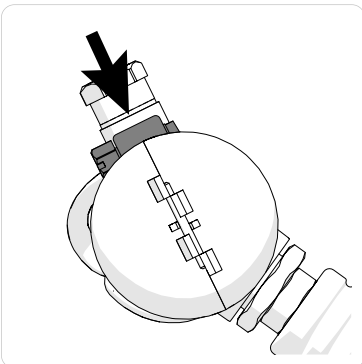
5. Säkerställ att den är jämnt monterad runt hela kanten.
Säkerställ att frostskyddshättan är luftfylld.



6. Montera frostskyddskåpan.
Säkerställ att frostskyddskåpan halvbor inte nyper i frostskyddshättan när de trycks ihop.

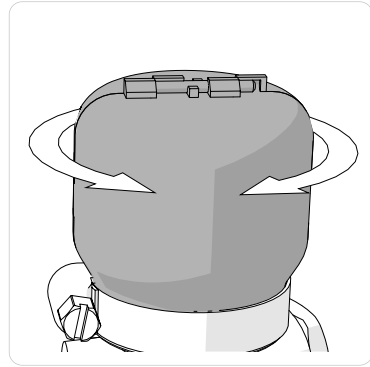
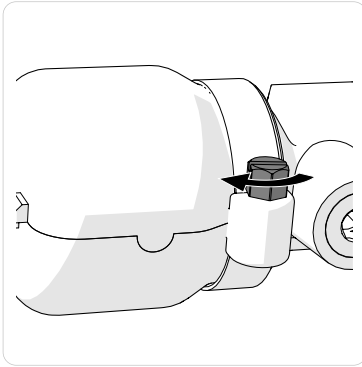


7. Montera slangklämman och frostskyddskåpan i riktningen som visas i bilden.



8. Montera slangklämman.

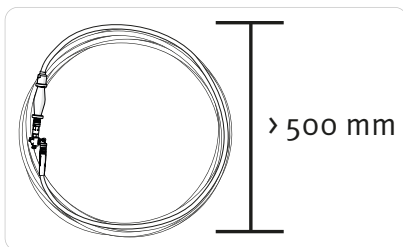
Dra åt slangklämman tills frostskyddskåpan sitter fast men fortfarande kan vridas utan att frostskyddshättan vrids med.



Linda upp ytförsörjningsslangen

För att undvika att ytförsörjningsslangen snor sig är det viktigt att linda den så att den inte vrids eller snor sig. Om slangens snor sig kan flödet strypas. Ytförsörjningsslangen ska lindas trycksatt i åttor med en diameter på mer än 500 mm (1,5 fot) för varje varv. Alternativt kan slangens lindas i en ring, men då måste den lindas i så kallat "över och undervarv".

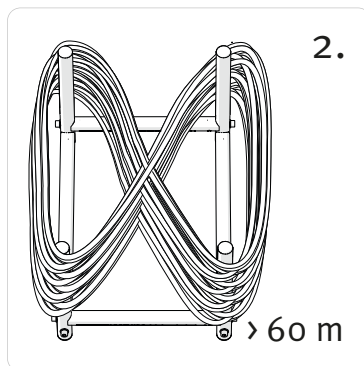
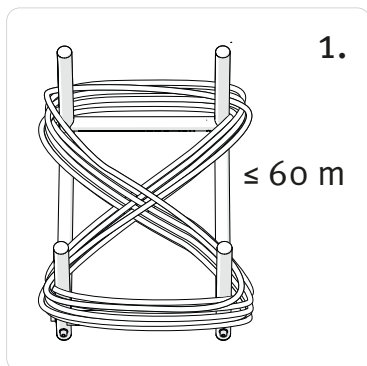
När ytförsörjningsslangen har lindats och trycket i slangens har släppts ut ska den säkras med de medföljande gummistropparna så att den hålls på plats under hantering och transport. Ytförsörjningsslangens ändrar måste alltid skyddas mot vatten och smuts. Anslut därför alltid ytförsörjningsslangen ändrar till det medföljande avluftningshandtaget och se till att den aldrig böjs kraftigt.



Divator slangvinda

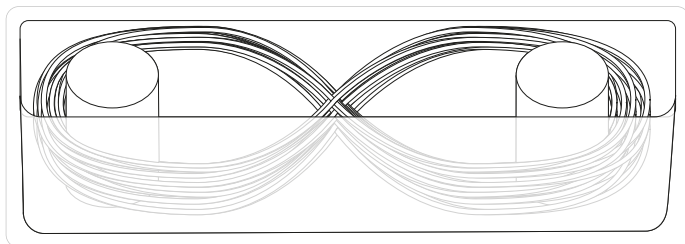
Slangvindan består av fyra rör som ytförsörjningsslangen kan lindas runt i åttor. Linda enligt bilderna beroende på hur lång slangens är. Om slangens är maximalt

60 meter så linda enligt bild 1, om slangen är längre så linda enligt bild 2. För mer detaljerade beskrivningar se dokument 96878.



Väska med upprullningsstolpar

Det finns också en väska med upprullningsstolpar som man kan linda slangar som är upp till 60 m långa i. Linda slangen i en åtta runt stolparna.



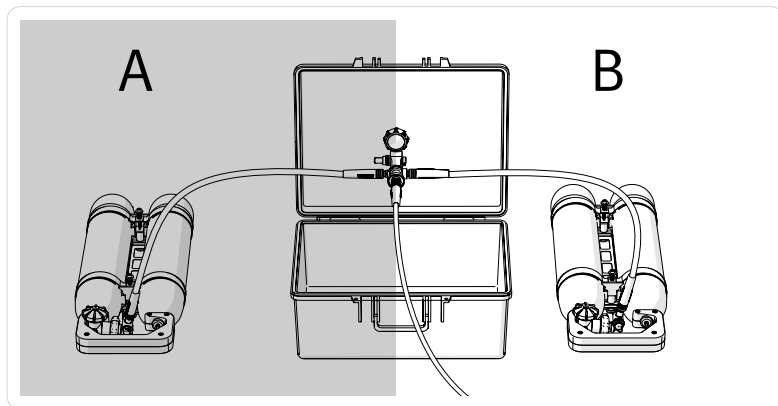
Läckageprovning

Om enheten inte klarar läckageprovningen måste den repareras innan användning.

Förberedelse

1. Förbered två luftflaskor fyllda till samma tryck, dock minst 200 bar.
2. Anslut ytförsörjningsslangen till ytenheten.
3. Anslut adapterslangarna till flaskorna.

Test



1. Trycksätt enheten genom att öppna båda flaskventilerna, vänta i 3 minuter så att trycket stabiliseras.
2. Knacka lätt på manometern.
3. Stäng båda flaskventilerna och kontrollera att det inte finns något synligt tryckfall under 30 sekunder.
4. På A-sidan:
 1. Öppna luftningsventilen och vänta i några sekunder för att släppa på trycket i adapterslangen.
 2. Lyssna efter läckage vid flaskventilen.
 3. Stäng luftningsventilen och öppna flaskventilen.
5. På B-sidan:
 1. Öppna luftningsventilen och vänta i några sekunder för att släppa på trycket i adapterslangen.
 2. Lyssna efter läckage vid flaskventilen.
 3. Stäng luftningsventilen.

Underhåll och provning

Underhåll och provning måste som ett minimikrav utföras enligt Interspiros Underhålls- och provningsschema med dokumentnummer 30500, eller enligt lokala föreskrifter.

Den senaste versionen finns att ladda ner under fliken Downloads på Interspiro.com.

Transport och förvaring

Alla delar ska förvaras i torrt, väl skyddade från direkt solljus och extrema temperaturer. Under transport måste utrustningen förvaras så att utrustningen och människor inte kan skadas.

Utrustningen får inte förvaras där temperaturen kan förväntas gå över 70 °C (158 ° F). Utrustningen måste vara helt torr innan den förvaras.









INTERSPIRO

Keeps You Breathing