



ENGLISH
GERMAN
SWEDISH
FRENCH
ITALIAN
PORTUGUESE

QS II BASIC MODEL

User Manual - Benutzerhandbuch - Handhavande Manual - Manuel
de l'utilisateur - Manuale d'uso - Manual do utilizador

31267F91

1



2



3



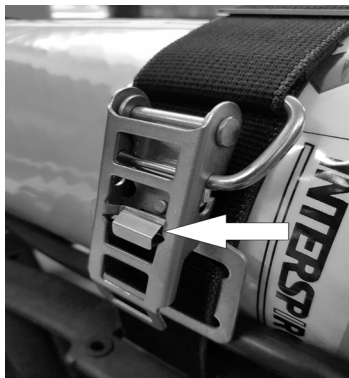
4



5



6



7



8



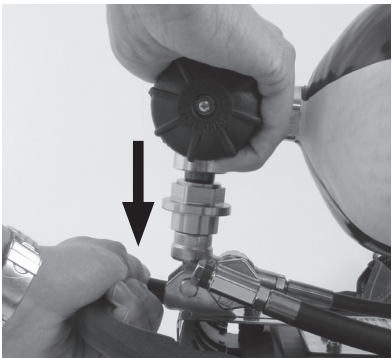
9



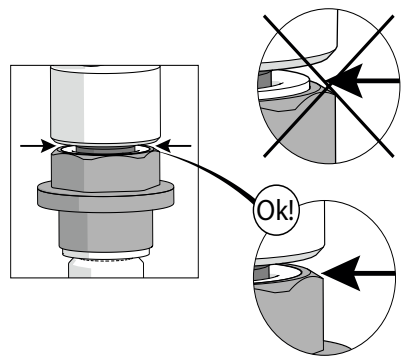
10



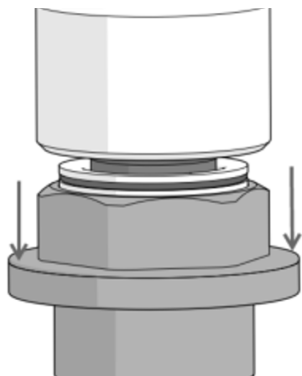
11



12



13



14



15



16



17



18



19



20



21



22



23



24

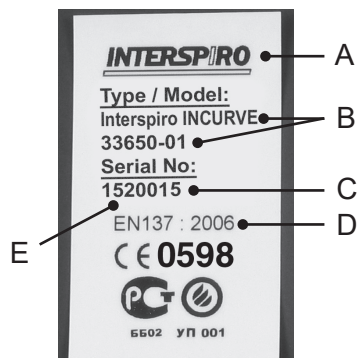


TABLE OF CONTENTS - INHALTSVERZEICHNIS - INNEHÅLLSFÖRTECKNING - TABLE DES MATIÈRES - SOMMARIO

USER MANUAL - ENGLISH

1	SAFETY NOTICE.....	8
2	CYLINDER MOUNTING.....	10
3	ADJUSTING THE HARNESS.....	11
4	DONNING.....	11
5	CHECKING BEFORE USE.....	12
6	REMOVING THE APPARATUS.....	12
7	CLEANING AND DISINFECTING.....	12
8	STORAGE AND TRANSPORT.....	14
9	EXTRA AIR CONNECTION.....	14
10	USAGE WITH AIRLINE SYSTEM.....	14
11	MARKINGS.....	15
12	SERVICE AND TESTING SCHEDULE.....	15

BENUTZERHANDBUCH - DEUTSCH

1	SICHERHEITSHINWEIS.....	16
2	FLASCHENBEFESTIGUNG.....	18
3	TRAGEEINRICHTUNG.....	19
4	ANLEGEN.....	20
5	KONTROLLE VOR DEM EINSATZ.....	20
6	ATEMSCHUTZGERÄT ENTFERNEN.....	20
7	REINIGEN UND DESINFIZIEREN.....	21
8	LAGERUNG UND TRANSPORT.....	22
9	ZUSÄTZLICHER LUFTANSCHLUSS.....	22
10	EINSATZ MIT ATEMLUFT-SCHLAUCHVERSORGUNG.....	23
11	KENNZEICHNUNGEN.....	24
12	WARTUNG UND PRÜFUNG.....	24

HANDHAVANDE MANUAL - SVENSKA

1	SÄKERHETSFÖRESKRIFTER.....	25
2	MONTERING AV FLASKA.....	27
3	JUSTERING AV BÄRSTÄLLET.....	28
4	PÅTAGNING.....	28
5	KONTROLL FÖRE ANVÄNDNING.....	29
6	AVTAGNING AV APPARATEN.....	29
7	RENGÖRING OCH DESINFICERING.....	29
8	FÖRVARING OCH TRANSPORT.....	31
9	EXTRA LUFTANSLUTNING.....	31
10	ANVÄNDNING MED LUFTFÖRSÖJNINGSSYSTEM.....	31
11	MÄRKNING.....	32
12	SERVICE- OCH TESTSCHEMA.....	32

MANUEL DE L'UTILISATEUR - FRANÇAIS

1	PRECAUTIONS DE SECURITE	33
2	MONTAGE DE LA BOUTEILLE.....	35
3	RÉGLAGE DU HARNAIS	36
4	MISE EN PLACE.....	36
5	VERIFICATION AVANT UTILISATION.....	37
6	RETRAIT DE L'APPAREIL	37
7	NETTOYAGE ET DÉSINFECTION.....	37
8	STOCKAGE ET TRANSPORT	39
9	CONNEXION D'AIR SUPPLÉMENTAIRE.....	39
10	UTILISATION AVEC UN SYSTÈME D'ALIMENTATION DE L'AIR	40
11	MARQUAGES	40
12	PLAN D'ENTRETIEN ET DES TESTS	41

MANUALE D'USO – ITALIANO

1	INFORMATIVA SULLA SICUREZZA	42
2	MONTAGGIO DELLE BOMBOLE	44
3	REGOLAZIONE DELL'IMBRACATURA	46
4	INDOSSAMENTO.....	46
5	CONTROLLI PRIMA DELL'USO	46
6	RIMOZIONE DELL'ATTREZZATURA.....	47
7	PULIZIA E DISINFEZIONE	47
8	CONSERVAZIONE E TRASPORTO	48
9	COLLEGAMENTO PER L'ARIA AGGIUNTIVO	49
10	UTILIZZO CON UN SISTEMA DI ALIMENTAZIONE DELL'ARIA	49
11	SIMBOLI.....	50
12	PROGRAMMA DI MANUTENZIONE E COLLAUDO	50

MANUAL DO UTILIZADOR - PORTUGUÊS

1	NOTIFICAÇÃO DE SEGURANÇA.....	51
2	MONTAGEM DO CILINDRO.....	53
3	AJUSTAR O ARNÊS.....	54
4	COLOCAÇÃO	55
5	VERIFICAR ANTES DE UTILIZAR	55
6	REMOVER O APARELHO.....	55
7	LIMPAR E DESINFETAR.....	55
8	ARMAZENAMENTO O TRANSPORTE.....	57
9	LIGAÇÃO DE AR EXTRA	57
10	UTILIZAÇÃO COM SISTEMA DE AR.....	57
11	SIMBOLI.....	58
12	PROGRAMMA DI MANUTENZIONE E COLLAUDO	58

QS II BASIC MODEL

USER MANUAL - ENGLISH

This product, supplying breathing air to the user, has been tested in accordance with EN 137 Type 2, and is to be used according local regulations.

Manufacturer:

Interspiro AB

Box 2853, 18728 Täby, Sweden.

1 SAFETY NOTICE

The product must only be used with:



Interspiro cylinders:	Spirolite 3.4L or 6.7L Composite 6.8L or 9.0L Steel 4L or 6L
Interspiro full face masks:	Inspire-series Respire-series S-series Spiromatic-series



ATTENTION! BREATHING APPARATUS WITH TWIN CYLINDER CONFIGURATIONS: SPIROLITE 6.7L, COMPOSITE 6.8L (WITH ALU-LINER) AND STEEL CYLINDERS 4L OR 6L, EXCEEDS THE TOTAL WEIGHT LIMIT ACCORDING TO 6.6 IN EN 137:2006.



The product must only be used by personnel in good health and trained in the use of respiratory protective equipment. Individuals with beards or large sideburns may not obtain an adequate seal. The apparatus must be maintained, serviced and tested as described in this user manual, Interspiro service manuals and Interspiro test instructions.



INTERSPIRO IS NOT RESPONSIBLE FOR

- COMBINATIONS OF PRODUCTS, UNLESS PUT TO MARKET BY INTERSPIRO
 - CHANGES OR ADAPTATIONS MADE TO THE PRODUCT BY A THIRD PARTY
-

Changes to this document - necessitated by typographical errors, inaccuracies of current information or improvements and changes of equipment - may be made at any time without prior notice. Always refer to www.interspiro.com for product updates, document updates and service bulletins. Exposure to extreme conditions may require other actions than described in this manual. The guarantees and warranties specified in the conditions of sale are not extended by this Safety Notice.



The breathing air with which the cylinders are charged must meet the requirements according to EN 12021, being free from oil, toxic substances and having low humidity.



The duration of a compressed air breathing apparatus depends on the volume of air in the compressed air cylinder(s) and the air consumption, which is specific to the wearer and affected by the work load. When taking air from the extra air connection, which some models are equipped with, the air consumption increases and the duration of the apparatus decreases.



When operating with two separate independently valved cylinders both cylinders must be charged with similar working pressures. Always open both cylinder valves when pressurizing the breathing apparatus and ensure that both cylinder valves are kept open during the use of the apparatus.



If the self contained breathing apparatus is to be used in conjunction with other personal protective equipment it is important to ensure that the additional personal protective equipment is compatible with the breathing apparatus and does not impair the full protection of the respiratory protective device.

Examples of dangers which may require the use of additional personal protective equipment:



-Liquids, steam or gases which can damage the skin.

-Pollutants absorptive by skin

-Thermal radiation

-Mechanical effects

-Explosive environments.

2 CYLINDER MOUNTING

SINGLE CYLINDER

1. Check that the cylinder strap buckle is positioned as close to the backplate as possible. Place the cylinder on the backplate. [Fig. 1]
2. Check the connection O-ring and screw the cylinder valve hand tight to the cylinder connection of the manifold block. [Fig. 2]

NOTE! FOR CYLINDER QUICK COUPLING SEE SECTION CYLINDER QUICK COUPLING OPTION.

3. Fasten cylinder strap around the cylinder and hook together with the buckle [Fig. 3]. Adjust the length of the strap if needed. [Fig. 4] Do not over tighten. If the strap is over tightened the buckle and backplate will be damaged.
4. Close the lever on the buckle [Fig. 5]. Make sure that the locking tab has locked the lever in the closed position. [Fig. 6] (To release the cylinder buckle the locking tab must be pressed down.)

TWIN CYLINDERS



ATTENTION! WHEN OPERATING WITH TWO SEPARATE INDEPENDENTLY VALVED CYLINDERS, BOTH CYLINDERS MUST BE CHARGED WITH SIMILAR WORKING PRESSURES. ALWAYS OPEN BOTH CYLINDER VALVES WHEN PRESSURISING THE BREATHING APPARATUS AND ENSURE THAT BOTH CYLINDER VALVES ARE KEPT OPEN DURING THE USE OF THE APPARATUS.

1. If previously used for single cylinder start by disengaging the cylinder strap from the four lugs on the backplate [Fig. 7].
2. Check that the cylinder strap is positioned with the buckle as close to the backplate as possible.
3. If applicable, mount the strap holder and the cylinder distance piece.
4. Check the connection O-ring and screw the T-piece to the cylinder connection of the manifold block - Do not tighten.
5. Place the cylinders on the backplate with the strap holder between the cylinders. [Fig. 9] Check that the hoses are positioned between the cylinders and not squeezed between the cylinders and backplate.
6. Check the connection O-rings and screw the cylinder valves hand tight to the cylinder connections of the T-piece. [Fig. 8]
7. Tighten the T-piece to the manifold block by hand.
8. Fasten the cylinder strap around the cylinders and hook together with the buckle [Fig. 3]. Adjust the length of the strap if needed. [Fig. 4] Do not over tighten. If the strap is over tightened the buckle and backplate will be damaged.
9. Close the lever on the buckle [Fig. 5]. Make sure that the locking tab has locked the lever in the closed position. [Fig. 6] (To release the cylinder buckle the locking tab must be pressed down.)

CYLINDER PACK

Mounting

1. Place the cylinder pack on a flat surface with the cylinder valve towards you.
2. Check the connection O-ring and screw the cylinder valve hand-tight to the cylinder connection of the manifold block.
3. Fit the holes of the cylinder bracket onto the guide washers and push the backplate away from you until the harness clicks in position. Check that the cylinder pack is mounted properly by lifting the harness carefully in the upper and lower part of the backplate. [Fig. 10]

Dismounting

1. Unscrew the cylinder connection of the manifold block from the cylinder valve.
2. Push the locking arm on the upper part of cylinder bracket and pull the harness towards you at the same time.

CYLINDER QUICK COUPLING (OPTION)

Connection

Connect the cylinder valve adapter with the cylinder connection manifold. Press together until the manifold “clicks” into the cylinder valve. [Fig. 11]

Check that the connection is properly locked by checking that the surfaces are in line with each other. [Fig. 12]

Disconnection

Disconnect by pressing the ring of the quick coupling away from the cylinder valve and removing the manifold. [Fig. 13]

NOTE! EXISTING EQUIPMENT CAN BE UPGRADED TO CYLINDER QUICK COUPLING.

3 ADJUSTING THE HARNESS

NOTE! WHEN STANDING STRAIGHT WITH THE BREATHING APPARATUS DONNED THE MAJORITY OF THE WEIGHT SHALL BE CARRIED ON THE HIPS AND NOT THE SHOULDERS.

To adjust the height of the hip belt, push the red buttons under the hip belt together [Fig. 14 & 15] and slide the complete hip belt up or down to the correct size. The harness can be adjusted into four different sizes. Size indications are available on both the front and backside of the harness.

4 DONNING

1. Connect the breathing hose to the breathing valve [Fig. 16].
2. Connect the face mask and breathing valve according to the instructions given in the user manual for the face mask.
3. Loosen the shoulder straps and the waist belt and put on the apparatus.
4. Place the neck strap over the head.

5. Fasten waist belt buckle and tighten [Fig. 17], ensuring the majority of the weight is carried on the waist and not the shoulders.
6. Adjust the shoulder straps [Fig. 18] and tuck in any loose straps. If applicable fasten the chest strap and tighten, tuck in any loose straps
7. Don the face mask according to the instructions given in the face mask user manual.
8. Open the cylinder valve fully.



WARNING: MAKE SURE TO OPEN THE CYLINDER VALVE FULLY TO ELIMINATE THE RISK FOR DISRUPTION OF THE AIR SUPPLY WHEN THE CYLINDER PRESSURE DROPS.

5 CHECKING BEFORE USE

1. Check that the cylinder has sufficient pressure.
2. Hold your breath and check that no airflow is heard.
3. Put two fingers between the sealing edge and face and check that a strong airflow is heard [Fig. 19].

NOTE: THIS TEST IS NOT APPLICABLE FOR NORMAL PRESSURE BREATHING VALVES.

6 REMOVING THE APPARATUS

1. Switch off the positive pressure and remove the face mask.
2. Close the cylinder valve.

NOTE: TO PREVENT UNINTENTIONAL CLOSING OF THE CYLINDER VALVE, SOME HAND WHEELS MUST BE PUSHED OR PULLED BEFORE THEY CAN BE TURNED.

3. Unfasten the waist belt buckle and loosen the shoulder straps.
4. Remove the apparatus and activate the positive pressure to purge air from the system.

7 CLEANING AND DISINFECTING

1. Disconnect the breathing valve from the face mask. Do not disconnect the breathing hose from the breathing valve.
2. Mount a wash plug on the breathing valve and on the whistle.
3. If applicable use wash plug 32350-51 on the cylinder valve pressure gauge.
4. Open the cylinder valve and check that there is pressure in the system before cleaning.

NOTE: HAVING THE CYLINDER VALVE OPEN PREVENTS WATER FROM ENTERING THE SYSTEM AND BUBBLES WILL INDICATE ANY LEAKS IN THE SYSTEM.

5. Spray on or submerge the breathing apparatus in water and cleaning solvent. Use cleaning solvent recommended by Interspiro, max. 55°C.

6. Clean the apparatus with a sponge or brush.
7. Rinse the apparatus in clean water, max 60°C.
8. Remove all wash plugs from the breathing apparatus.
9. Close the cylinder valve and activate positive pressure to purge air from the system.
10. Dry the apparatus, max. 60°C.
11. Clean and disinfect the face mask and breathing valve according to the instructions in the user manual for the face mask.

REMOVAL OF TEXTILE PARTS

The textile parts can be removed from the back plate for separate wash.

Dismounting

1. Remove hoses from shoulder straps. Open the hose covers by unhooking the short end of the twisted D-rings, or by opening the press-studs.
2. Unhook the cylinder strap.
3. Remove the cylinder strap buckle.
4. Remove the cylinder strap from the backplate and shoulder pad.
5. Remove the shoulder pad from the backplate. Lift the shoulder pad to reach the folded end of the webbing. Turn the folded webbing so that it fits through the slot in the backplate and pull/push it through the slot [Fig. 20]. Repeat the procedure for the next strap.
6. Remove the complete hip belt from backplate. Slide the hipbelt to size "S" and push the detachment tool (32009-51) into the track in the backplate [Fig. 21]. Slide the hipbelt assembly up and off the backplate while the tool is still in position.

Mounting

1. Place the hip belt attachment into the track in the backplate. Push the size adjustment tabs together and slide the complete hip belt down in the track.
2. Mount the shoulder pad on the backplate. Put the webbing of the shoulder pad through the slots in the backplate. The folded stop in the end of each strap shall be in the cavities in the backplate [Fig. 20].
3. Mount the cylinder strap from the left side as worn. Insert the cylinder strap from the inside of the harness through the first slot in the backplate around the beam and through the second slot. Put it through the strap on the backside of the shoulder pad, through the slot (second from the right side as worn) and around the beam and through the slot (first from the right as worn) [Fig. 22].
4. Mount the cylinder strap buckle [Fig. 23].
5. Mount the cylinder strap under the four lugs on the backplate [Fig. 7].
6. Mount the hoses in the hose covers on the shoulder pad.

8 STORAGE AND TRANSPORT

Store in a cool, dry and dust-free environment. Protect rubber parts from direct sunlight, UV radiation and direct heat. When the regulator unit is not connected the cylinder valve shall always have a protective plug.

During transport the product must be well protected inside the original packaging material or equivalent packaging material.

9 EXTRA AIR CONNECTION

Some models are equipped with an extra air connection which can be used to:

1. connect to a chemical suit ventilation system
2. connect a rescue hose between two apparatus
3. connect an extra mask
4. connect the resuscitation mask Revitox or the EVAC evacuation hood
5. feed the apparatus from an external air source



When taking air from the apparatus, point 1-4 above, the air consumption increases and the duration of the apparatus decreases.



A special female coupling with a non-return valve opener must be used when taking air from the apparatus, point 1-4 above. This device opens the non-return valve in the male connection on the apparatus.



When feeding the apparatus from an external air source, this kind of female coupling must not be used. In this application, the non-return valve in the male connection must be able to close in case of disruption in air supply from the external source.

10 USAGE WITH AIRLINE SYSTEM

The instructions in Section 1, Section 2 - "Cylinder mounting - single cylinder" and Sections 3 - 12 apply to usage with airline system.

The airline supply hose is connected to the male coupling on manifold located on the right-hand side (as worn) of the waist belt.

When operating on supplied air from the airline hose, the cylinder valve on the SCBA should be closed.

Should the supply from the airline hose be disrupted, fully open the cylinder valve of the SCBA.

When the cylinder valve has been opened, the user must immediately leave the hazardous area. Disconnect the airline hose if necessary.

When operated with cylinder valve opened and used in conjunction with an automatic switch between the airline supply and SCBA cylinder, the following instructions should be observed.

1. Read and note the pressure reading on the pressure gauge of the SCBA.
2. Connect the quick coupling of the SCBA to the airline supply hose. The higher pressure in the supply hose should shut off the supply from the SCBA.
3. After two minutes, read the pressure displayed on the pressure gauge again. During the elapsed time, there should be no measureable drop in pressure on the gauge. This check will indicate that the higher pressure in the airline supply hose is preventing air from being taken from the SCBA cylinder.
4. During usage in the hazardous environment, periodically check the pressure displayed on the gauge and if a decrease is noted discontinue use. Disconnect the airline hose and exit to a safe area using the bail-out set as an escape apparatus.

11 MARKINGS (FIG. 24)

LABEL LOCATED ON THE BACKPLATE

- A. Manufacturer
- B. Model designation
- C. Serial number
- D. European standard and classification
- E. Year of manufacture

12 SERVICE AND TESTING SCHEDULE

Service and testing shall be performed according to Service and testing schedule 97307. Visit www.interspiro.com for latest revision.

AFTER EACH USE

1. Switch off the positive pressure (if applicable).
2. Open the cylinder valve fully and read off the pressure gauge.
3. Close the cylinder valve.
4. Check that the pressure do not drop.
5. Decrease the cylinder pressure slowly and check that the whistle starts sounding at 55 ± 5 bar.

QS II BASISMODELL

BENUTZERHANDBUCH - DEUTSCH

Dieses Produkt, das dem Benutzer Atemluft zuführt, wurde gemäß EN 137 Type 2 getestet und ist gemäß den örtlichen Vorschriften zu verwenden.

Hersteller:

Interspiro AB

Box 2853, 18728 Täby, Schweden.

1 SICHERHEITSHINWEIS

Das Produkt darf nur verwendet werden mit:



Interspiro-Flaschen:	Spirolite 3,4 l oder 6,7 l Composite-Flaschen 6,8 l oder 9,0 l Stahlflaschen 4 l oder 6 l
Interspiro-Vollmasken:	Inspire-Serie Respire-Serie S-Serie Spiromatic-Serie



ACHTUNG! ATEMSCUTZGERÄT MIT DOPPELFLASCHEN-KONFIGURATIONEN: SPIROLITE 6,7 L, COMPOSITE-FLASCHEN 6,8 L (MIT ALUMINIUM-INLINER) UND STAHLFLASCHEN 4 L ODER 6 L, GEWICHTSÜBERSCHREITUNG GEMÄSS ABSCHNITT 6.6 EN 137:2006.



Das Produkt darf nur von gesunden Personen, die im Umgang mit der Atemschutzausrüstung geschult sind, benutzt werden. Bei Personen mit Bart oder langen Koteletten wird möglicherweise keine ausreichende Abdichtung erreicht. Das Gerät muss wie in diesem Benutzerhandbuch, im Interspiro-Wartungshandbuch und in den Interspiro-Testanweisungen beschrieben gewartet und geprüft werden.



INTERSPIRO IST NICHT VERANTWORTLICH FÜR

- PRODUKTKOMBINATIONEN, ES SEI DENN, SIE WURDEN VON INTERSPIRO AUF DEN MARKT GEBRACHT
- VERÄNDERUNGEN DES PRODUKTS DURCH DRITTE

Änderungen an diesem Dokument – aufgrund von Tippfehlern, Ungenauigkeiten der aktuellen Informationen oder Verbesserungen und Änderungen der Ausrüstung – sind jederzeit vorbehalten. Produkt- oder Dokumentaktualisierungen sowie Wartungsinformationen finden Sie auf unserer Website www.interspiro.com. Belastungen durch extreme Umgebungsbedingungen können weitere Maßnahmen erfordern, die nicht in dieser Anleitung beschrieben sind. Die in den Verkaufsbedingungen festgelegten Garantien und Gewährleistungen werden durch diesen Sicherheitshinweis nicht erweitert.



Die Atemluft in den Flaschen muss die Anforderungen der EN 12021 erfüllen; sie darf kein Öl, keine toxischen Substanzen enthalten und nur geringe Feuchtigkeit aufweisen.



Wie lange das Atemschutzgerät einsatzbereit ist, hängt vom Luftvolumen in den Druckluftflaschen und vom Luftverbrauch ab. Der Luftverbrauch ist von Mensch zu Mensch verschieden; auch die Arbeitsbelastung spielt eine Rolle. Bei Luftentnahme aus dem zusätzlichen Luftanschluss, über den einige Atemgeräte verfügen, nimmt der Luftverbrauch zu und die Einsatzdauer des Geräts ab.



Wenn zwei separate Flaschen mit unabhängigen Ventilen eingesetzt werden, müssen beide mit selben Arbeitsdruck gefüllt sein. Wird das Atemschutzgerät unter Druck gesetzt, müssen Sie immer beide Flaschenventile öffnen und sicherstellen, dass sie beim Einsatz des Geräts offen bleiben.



Wenn das in sich abgeschlossene Atemgerät zusammen mit anderen persönlichen Schutzvorrichtungen genutzt werden soll, muss die Zusatzausrüstung mit dem Atemgerät kompatibel sein. Die Sicherheit darf nicht beeinträchtigt werden.



Es folgen Beispiele für Gefahren, bei denen zusätzliche persönliche Schutzvorrichtungen erforderlich sein können.

- Hautschädigende Flüssigkeiten, Dämpfe oder Gase
- Von der Haut absorbierbare Schadstoffe
- Thermische Strahlung
- Mechanische Einwirkungen
- Explosionsgefährdete Umgebungen

2 FLASCHENBEFESTIGUNG

EINE FLASCHE

1. Stellen Sie sicher, dass sich die Schnalle des Flaschengurts so nahe wie möglich an der Trageeinrichtung befindet. Legen Sie die Flasche auf das Tragegestell. [Abb. 1]
2. Prüfen Sie den Anschluss-O-Ring und schrauben Sie das Flaschenventil von Hand am Flaschenanschluss der Funktionseinheit an. [Abb. 2]

HINWEIS! WEITERE INFORMATIONEN ZUM FLASCHENSCHNELLANSCHLUSS FINDEN SIE IM ABSCHNITT FLASCHENSCHNELLANSCHLUSS (OPTION).

3. Den Flaschengurt um die Flasche führen und in die Schnalle einrasten [Abb. 3]. Gurtlänge einstellen, falls erforderlich. [Abb. 4] Den Gurt nicht zu straff ziehen! Ist der Gurt zu straff, können Schnalle und Tragegestell beschädigt werden.
4. Schließen Sie den Hebel der Schnalle [Abb. 5]. Stellen Sie sicher, dass der Sperrmechanismus den Hebel in der geschlossenen Stellung arretiert hat. [Abb. 6] (Um die Flaschenschnalle zu öffnen, muss der Sperrmechanismus nach unten gedrückt werden.)

DOPPELFLASCHEN



ACHTUNG! WENN ZWEI SEPARATE FLASCHEN MIT UNABHÄNGIGEN VENTILEN EINGESETZT WERDEN, MÜSSEN BEIDE FLASCHEN MIT EINEM ÄHNLICHEN ARBEITSDRUCK GEFÜLLT SEIN. WENN DAS ATEMSCHUTZGERÄT UNTER DRUCK GESETZT WIRD, MÜSSEN SIE IMMER BEIDE FLASCHENVENTILE ÖFFNEN UND SICHERSTELLEN, DASS SIE BEIM EINSATZ DES GERÄTS GEÖFFNET BLEIBEN.

1. Wenn vorher nur mit einer Flasche gearbeitet wurde, müssen Sie zunächst den Flaschengurt von den vier Knöpfen am Tragegestell lösen [Abb. 7].
2. Stellen Sie sicher, dass sich der Flaschengurt mit der Schnalle so nahe wie möglich am Tragegestell befindet.
3. Falls zutreffend befestigen Sie die Gurthalterung und das Flaschenabstandsstück.
4. Prüfen Sie den Anschluss-O-Ring und schrauben Sie das T-Stücks an den Flaschenanschluss des Funktionsblocks. Nicht festziehen.
5. Legen Sie die Flaschen auf das Tragegestell; die Gurthalterung muss sich dabei zwischen den beiden Flaschen befinden. [Abb. 9] Stellen Sie sicher, dass sich die Schläuche zwischen den Flaschen befinden. Sie dürfen nicht zwischen Flaschen und Tragegestell eingeklemmt sein.
6. Prüfen Sie die Anschluss-O-Ringe und schrauben Sie die Flaschenventile von Hand an die Flaschenanschlüsse des T-Stücks. [Abb. 8]
7. Ziehen Sie das T-Stück von Hand an der Funktionseinheit fest.
8. Den Flaschengurt um die Flaschen führen und in die Schnalle einrasten [Abb. 3]. Gurtlänge einstellen, falls erforderlich. [Abb. 4] Den Gurt nicht zu straff ziehen! Ist der Gurt zu straff, werden Schnalle und Tragegestell beschädigt.
9. Schließen Sie den Hebel der Schnalle [Abb. 5]. Stellen Sie sicher, dass der Sperrmechanismus den Hebel in der geschlossenen Stellung arretiert hat. [Abb. 6] (Um die Flaschenschnalle zu öffnen, muss der Sperrmechanismus nach unten gedrückt werden.)

FLASCHENPAKET

Befestigung

1. Legen Sie das Flaschenpaket auf eine ebene Fläche; das Flaschenventil zeigt in Ihre Richtung.
2. Prüfen Sie den Anschluss-O-Ring und schrauben Sie das Flaschenventil von Hand am Flaschenanschluss der Funktionseinheit fest.
3. Setzen Sie die Löcher der Flaschenhalterung auf die Führungsscheiben und drücken Sie die Trageeinrichtung weg von sich, bis sie korrekt im Tragegestell einrastet. Prüfen Sie die korrekte Befestigung des Flaschenpakets, indem Sie die Trageeinrichtung vorsichtig im oberen und unteren Teil des Tragegestells anheben [Abb. 10]

Entfernen

1. Schrauben Sie den Flaschenanschluss der Funktionseinheit vom Flaschenventil ab.
2. Drücken Sie den Verriegelungsarm auf dem oberen Teil der Flaschenhalterung und ziehen Sie gleichzeitig die Trageeinrichtung zu sich.

FLASCHENSCHNELLANSCHLUSS (OPTION)

Anschließen

Verbinden Sie den Flaschenventiladapter mit dem Verteiler des Flaschenanschlusses. Drücken Sie beide zusammen, bis der Verteiler in das Flaschenventil einrastet. [Abb. 11] Stellen Sie sicher, dass die Verbindung ordnungsgemäß verriegelt ist, indem Sie prüfen, ob die Oberflächen exakt auf einer Ebene liegen. [Abb. 12]

Anschluss lösen

Zum Trennen den Ring des Schnellanschlusses vom Flaschenventil wegdrücken und den Verteiler abnehmen. [Abb. 13]

HINWEIS! BESTEHENDE GERÄTE KÖNNEN AUF DEN FLASCHENSCHNELLANSCHLUSS UMGERÜSTET WERDEN.

3 TRAGEEINRICHTUNG

HINWEIS! WENN SIE MIT ANGELEGTEM ATEMGERÄT AUFRECHT STEHEN, MUSS DER GRÖSSTE TEIL DES GEWICHTS AUF DEN HÜFTEN LIEGEN, NICHT AUF DEN SCHULTERN.

Um die Sitzhöhe des Leibgurts zu justieren, drücken Sie die roten Knöpfe unter dem Leibgurt zusammen [Abb. 14 & 15] und schieben sie ihn nach oben oder unten. Die Trageeinrichtung ist in vier Größen einstellbar. Größenangaben finden sich sowohl an der Vorder- wie auch der Rückseite der Trageeinrichtung.

4 ANLEGEN

1. Verbinden Sie den Atemschlauch mit den Lungenautomat.
2. Verbinden Sie die Vollmaske und den Lungenautomat entsprechend den Anweisungen im Benutzerhandbuch für die Vollmaske.
3. Lockern Sie Schulterriemen und Taillengurt und legen Sie das Gerät an.
4. Ziehen Sie den Nackengurt über den Kopf.
5. Befestigen Sie die Taillengurtschnalle und ziehen Sie den Gurt fest [Abb. 17]. Das meiste Gewicht muss auf der Hüfte lasten, nicht auf den Schultern.
6. Justieren Sie die Schultergurte [Abb. 18] und stecken Sie lose Gurtenden ein. Falls erforderlich, schließen Sie den Brustgurt, ziehen noch lose Gurte an und stecken Sie sie weg.
7. Die Vollmaske wie im Benutzerhandbuch beschrieben anlegen.
8. Öffnen Sie das Flaschenventil vollständig.



WARNUNG: ACHTEN SIE DARAUF, DAS FLASCHENVENTIL VOLLSTÄNDIG ZU ÖFFNEN, UM DAS RISIKO EINER UNTERBRECHUNG DER LUFTZUFUHR ZU VERMEIDEN, WENN DER FLASCHENDRUCK FÄLLT.

5 KONTROLLE VOR DEM EINSATZ

1. Stellen Sie sicher, dass die Flasche genügend Druck hat.
2. Vergewissern Sie sich, dass kein Luftstrom hörbar ist, indem Sie Ihren Atem anhalten.
3. Stecken Sie zwei Finger zwischen Dichtungskante und Gesicht. Ein starker Luftstrom muss hörbar sein [Abb. 19].

HINWEIS: DIESER TEST IST NICHT FÜR NORMALDRUCK-LUNGENAUTOMATEN ANWENDBAR.

6 ATEMSCHUTZGERÄT ENTFERNEN

1. Schalten Sie den Überdruck aus und nehmen Sie die Vollmaske ab.
2. Schließen Sie das Flaschenventil.

HINWEIS: UM UNBEABSICHTIGTES SCHLIESSEN DES FLASCHENVENTILS ZU VERMEIDEN, MÜSSEN EINIGER HANDRÄDER ERST NACH INNEN GEDRÜCKT WERDEN ODER GEZOGEN WERDEN, BEVOR SIE GEDREHT WERDEN KÖNNEN.

3. Öffnen Sie die Schnalle des Taillengurts und lockern Sie die Schultergurte.
4. Legen Sie das Gerät ab und aktivieren Sie den Überdruck, um Luft aus dem System zu entfernen.

7 REINIGEN UND DESINFIZIEREN

1. Lösen Sie den Lungenautomaten von der Vollmaske. Lösen Sie jedoch in keinem Fall den Atemluftschlauch vom Lungenautomaten.
2. Befestigen Sie einen Dichtstopfen am Lungenautomaten und auf der Warneinrichtung.
3. Wenn Sie die Flaschen reinigen, nutzen Sie bitte den Dichtstopfen 32350-51 am Manometer-Absperrventil der Flasche, sofern vorhanden.
4. Öffnen Sie das Flaschenventil und stellen Sie sicher, dass das System vor der Reinigung unter Druck steht.

HINWEIS: WENN DAS FLASCHENVENTIL OFFEN IST, KANN KEIN WASSER IN DAS SYSTEM EINDRINGEN; BLASEN ZEIGEN AN, DASS ES IM SYSTEM LECKAGEN GIBT.

5. Spritzen Sie Wasser und Reinigungsmittel auf das Atemschutzgerät oder tauchen Sie dieses darin ein. Verwenden Sie Reinigungsmittel empfohlen von Interspiro, bei maximal 55°C.
6. Reinigen Sie das Gerät mit einem Schwamm oder einer Bürste.
7. Spülen Sie das Gerät mit klarem Wasser ab, bei maximal 60°C.
8. Entfernen Sie sämtliche Dichtstopfen vom Atemschutzgerät.
9. Schließen Sie das Flaschenventil wieder und aktivieren Sie den Überdruck, um Luft aus dem System zu entfernen.
10. Trocknen Sie das Atemschutzgerät bei maximal 60°C.
11. Reinigen und desinfizieren Sie die Vollmaske und den Lungenautomaten gemäß den Anweisungen in der Bedienungsanleitung für die Vollmaske.

TEXTILTEILE ENTFERNEN

Die Textilteile können vom Tragegestell entfernt und gesondert gewaschen werden.

Entfernen

1. Entfernen Sie die Schläuche von den Schultergurten. Öffnen Sie die Schlauchabdeckungen durch das Lösen des kurzen Endes des gedrehten D-Rings, oder durch Öffnen der Druckknöpfe.
2. Lösen Sie das Flaschenspannband.
3. Entfernen Sie die Flaschenspannbandschnalle.
4. Entfernen Sie das Flaschenspannband vom Tragegestell und dem Schulterpolster.
5. Lösen Sie das Schulterpolster vom Tragegestell. Heben Sie das Schulterpolster an, um zu dem gefalteten Ende des Gummibandes zu kommen. Drehen Sie das gefaltete Gummiband so, dass es durch die Öffnung im Tragegestell passt und ziehen/drücken Sie es durch die Öffnung [Abb. 20]. Wiederholen Sie den Vorgang bei der nächsten Schnalle.
6. Entfernen Sie vollständig den Taillengurt vom Tragegestell. Stellen Sie den Taillengurt auf Größe „S“ und drücken Sie das Werkzeug zum Lösen (32009-51) auf die Schiene des Tragegestells. [Abb. 21]. Schieben Sie den Taillengurt nach oben vom Tragegestell, während das Werkzeug in seiner Position bleibt.

Befestigung

1. Schieben Sie die Taillengurtverbindung in die Schiene auf dem Tragegestell. Schieben Sie die Hebel zur Verstellung der Größe zusammen und schieben Sie anschließend den gesamten Taillengurt nach unten in die Schiene.
2. Befestigen Sie das Schulterpolster auf dem Tragegestell. Drücken Sie das Gummiband des Schulterpolsters durch die Öffnung auf dem Tragegestell. Die gefaltete Sperre am Ende eines jeden Gurtes sollte in den Vertiefungen des Tragegestells liegen [Abb. 20].
3. Befestigen Sie das Flaschenspannband auf der linken Seite in Tragerichtung. Setzen Sie das Flaschenspannband von der Innenseite des Gurtes durch die erste Öffnung in das Tragegestell um den Holm herum und durch die zweite Öffnung ein. Drücken Sie ihn durch die Schnalle auf der Rückseite des Schulterpolsters, durch die Öffnung (die zweite Öffnung von rechts in Tragerichtung), um den Holm und durch die Öffnung (die erste von rechts in Tragerichtung) [Abb. 22].
4. Befestigen Sie die Flaschenspannbandschnalle [Abb. 23].
5. Befestigen Sie das Flaschenspannband unter den vier Ösen des Tragegestells [Abb. 7].
6. Befestigen Sie die Schläuche an den Schlauchabdeckungen an den Schulterpolstern.

8 LAGERUNG UND TRANSPORT

In kühler, trockener und staubfreier Umgebung lagern. Gummiteile vor direktem Sonnenlicht, UV-Strahlung und direkter Hitze schützen. Wenn der Druckminderer nicht angeschlossen ist, muss auf dem Flaschenventil immer eine Schutzkappe sitzen. Während des Transports muss das Produkt in der Originalverpackung oder einer gleichwertigen Verpackung gut geschützt sein.

9 ZUSÄTZLICHER LUFTANSCHLUSS

Einige Geräte haben einen zusätzlichen Luftanschluss, der wie folgt Anwendung finden kann:

1. Für die Verbindung zum Belüftungssystem eines Chemieschutzanzugs
2. Für das Verbinden von zwei Atemgeräten mit einem Rettungsschlauch
3. Für den Anschluss einer zusätzlichen Maske
4. Für den Anschluss der Rettungsmaske Revitox, oder der EVAC Atemschutzhaube
5. Für die Versorgung des Atemgeräts über einen externen Atemluftbehälter



Bei Luftentnahme aus dem Atemschutzgerät, Punkte 1 bis 4 oben, nimmt der Luftverbrauch zu und die Einsatzdauer des Geräts ab.



Eine spezielle Kupplungsmutter mit Rückschlagventilöffner muss verwendet werden, um Luft aus dem Gerät zu nutzen (Punkte 1 bis 4 oben). Diese Einheit öffnet das Rückschlagventil des Anschlusses am Gerät.



Bei Nutzung einer externen Luftversorgung für das Gerät darf diese Kupplungsart nicht verwendet werden. Hier muss das Rückschlagventil in der Anschlussarmatur schließen können, wenn die externe Luftversorgung unterbrochen wird.

10 EINSATZ MIT ATEMLUFT-SCHLAUCHVERSORGUNG

Die Anweisungen in Kapitel 1, Abschnitt 2 - "Flaschenbefestigung - eine Flasche" und Abschnitte 3 bis 12 beziehen sich auf den Einsatz mit Schlauchversorgung des Systems.

Der Versorgungsschlauch ist an der Gewindekupplung der Funktionseinheit auf der rechten Seite (wie getragen) des Taillengurts angeschlossen.

Wird Luft aus dem Versorgungsschlauch verwendet, sollte das SCBA-Flaschenventil geschlossen sein.

Falls die Schlauchversorgung unterbrochen wird, muss das Flaschenventil des SCBA vollständig geöffnet werden.

Nachdem das Flaschenventil geöffnet wurde, muss der Benutzer den Gefahrenbereich sofort verlassen. Der Versorgungsschlauch muss, falls erforderlich, abgetrennt werden.

Bei der Arbeit mit geöffnetem Flaschenventil in Verbindung mit einem automatischen Umschalter zwischen Schlauchversorgung und SCBA-Flasche sind folgende Anweisungen zu beachten.

1. Den Druckmesswert vom Manometer des SCBA ablesen und notieren.
2. Die Schnellkupplung des SCBA an den Versorgungsschlauch anschließen. Der höhere Druck im Versorgungsschlauch sollte die Versorgung aus dem SCBA abschalten.
3. Nach zwei Minuten den auf dem Manometer angezeigten Druck erneut ablesen. Es sollte während der abgelaufenen Zeit kein messbarer Druckabfall auf dem Manometer erkennbar sein. Diese Prüfung zeigt, ob der höhere Druck im Versorgungsschlauch verhindert, dass Luft aus der SCBA verwendet wird.
4. Beim Einsatz in Gefahrenzonen muss die Manometeranzeige regelmäßig geprüft werden. Sinkt der Wert, darf das Gerät nicht weiter verwendet werden. Den Versorgungsschlauch abtrennen und das Notfallset als Fluchtausrüstung verwenden.

11 KENNZEICHNUNGEN (ABB. 24)

ETIKETT AUF DER RÜCKSEITE DES TRAGEGESTELLS

- A. Hersteller
- B. Typenbezeichnung
- C. Seriennummer:
- D. EU-Norm und Klassifizierung
- E. Herstellungsjahr

12 WARTUNG UND PRÜFUNG

Wartungen und Prüfungen müssen nach den Wartungs- und Prüfvorschriften Nr. 97307 durchgeführt werden. Die neuesten Informationen finden Sie unter www.interspiro.com.

NACH JEDEM EINSATZ:

1. Schalten Sie den Überdruck ab, falls zutreffend.
2. Öffnen Sie das Flaschenventil, und lesen Sie das Manometer ab.
3. Schließen Sie das Flaschenventil.
4. Vergewissern Sie sich, dass der Druck nicht abfällt.
5. Reduzieren Sie den Flaschendruck langsam und prüfen Sie, ob die akustische Warneinrichtung bei 55 ± 5 bar ertönt.

QS II BASMODELL

HANDHAVANDEMANUAL - SVENSKA

Denna produkt som tillhandahåller andningsluft till användaren har testats i enlighet med EN 137 Type 2 och ska användas enligt lokala föreskrifter.

Tillverkare:

Interspiro AB

Box 2853, 18728 Täby, Sverige.

1 SÄKERHETSFÖRESKRIFTER

Denna produkt får endast användas tillsammans med



Interspiros flaskor: Spirolite 3.4L eller 6.7L
Komposit 6.8L eller 9.0L
Stål 4L eller 6L

Interspiros andningsmasker i: Inspire-serien
Respire-serien
S-serien
Spiromatic-serien



VIKTIGT! ANDNINGSSAPPARATER KONFIGURERADE MED DUBBLA FLASKOR: SPIROLITE 6.7L, KOMPOSIT 6.8L (MED ALU-LINER) OCH STÅLFLASKOR 4L ELLER 6L ÖVERSTIGER TOTALVIKTSGRÄNSEN ENLIGT 6.6 I EN 137:2006.



Produkten får endast användas av personal med god hälsa som har fått utbildning i användning av andningsskydd. Om produkten används av personer med skägg eller långa polisonger föreligger risk för otillräcklig tätning. Apparaten måste ges underhåll och service samt testas enligt anvisningarna i denna handhavandemanual, i Interspiros servicemanualer och i Interspiros testanvisningar.



INTERSPIRO ANSVARAR INTE FÖR

- ❖ PRODUKTKOMBINATIONER, SÅVIDA DESSA INTE HAR MARKNADSFÖRTS AV INTERSPIRO
- ❖ ÄNDRINGAR ELLER ANPASSNINGAR AV PRODUKTER SOM HAR GJORTS AV TREDJE PART

Ändringar i denna manual kan komma att ske när som helst utan föregående avisering om de behövs på grund av typografiska fel, felaktigheter i informationen eller beroende på förbättringar eller förändringar av utrustningen. Besök www.interspiro.com för uppdateringar av produkter och dokumentation samt servicemeddelanden. Vid exponering för extrema förhållanden kan andra åtgärder än de som beskrivs i denna handhavandemanual krävas. Interspiros ansvar och garantivillkor är ej utökade eller påverkade av dessa säkerhetsföreskrifter.

Andningsluften som flaskorna fylls med måste uppfylla villkoren enligt EN 12021, dvs. vara fri från olja och giftiga ämnen samt ha en låg fuktighet.



Aktionstiden för en andningsapparat beror på mängden luft i flaskan (flaskorna) och luftförbrukningen, som varierar med användaren och påverkas av arbetsbelastningen. När luft tas från den extra luftanslutningen (som vissa modeller är försedda med) ökar luftförbrukningen och apparatens användningstid minskar.



När man använder två flaskor med separata, oberoende flaskventiler måste båda flaskorna vara trycksatta med liknande arbetstryck. Öppna alltid båda flaskventilerna när andningsapparaten trycksätts och säkerställ att båda flaskventilerna är öppna vid användning av apparaten.



Om andningsapparaten ska användas i kombination med annan personlig skyddsutrustning är det viktigt att säkerställa att den extra personliga skyddsutrustningen är kompatibel med andningsapparaten och inte försämrar andningsenhetens heltäckande skydd.



Exempel på faror som kan kräva användning av extra personlig skyddsutrustning:

- Vätskor, ånga eller gaser som kan skada huden
- Föroreningar som kan tas upp av huden
- Termisk strålning
- Mekanisk påverkan
- Explosiva miljöer.

2 MONTERING AV FLASKA

ENKELFLASKA

1. Kontrollera att flaskbandets spänne är placerat så nära rygglattan som möjligt. Placera flaskan på rygglattan (fig. 1).
2. Kontrollera den tätande O-ringen och skruva fast flaskventilen för hand i samlingsstycket (fig. 2).

OBS! FÖR FLASKSNABBKOPPLING SE AVSNITT FLASKSNABBKOPPLINGSTILLVAL.

3. Dra åt flaskbandet runt flaskan och haka fast det med spännet (fig. 3). Justera längden på bandet vid behov (fig. 4). Dra inte åt för hårt. Om spännbandet dras åt för hårt kan spännet och rygglattan skadas.
4. Stäng hävarmen på spännet (fig. 5). Kontrollera att låsblecket har låst hävarmen i det stängda läget (fig. 6). (För att öppna flaskspännet måste låsblecket först tryckas ned.)

DUBBLA FLASKOR (TWIN)



VIKTIGT! NÄR MAN ANVÄNDER TVÅ FLASKOR MED SEPARATA, OBEROENDE FLASKVENTILER MÅSTE BÅDA FLASKORNA VARA TRYCKSATTA MED LIKANDE ARBETSTRYCK. ÖPPNA ALLTID BÅDA FLASKVENTILERNA NÄR ANDNINGSAPPARATEN TRYCKSÄTTS OCH SÄKERSTÄLL ATT BÅDA FLASKVENTILERNA ÄR ÖPPNA VID ANVÄNDNING AV APPARATEN.

1. Vid tidigare användning med en flaska ska flaskbandet först frigöras från de fyra hakarna på rygglattan (fig. 7).
2. Kontrollera att flaskbandets spänne är placerat så nära rygglattan som möjligt.
3. Montera flaskbandshållaren och distanskloss vid behov.
4. Kontrollera att den tätande O-ringen sitter på plats och skruva fast T-stycket i samlingsstyckets flaskanslutning. Dra inte åt för hårt.
5. Placera flaskorna på rygglattan med spännbandshållaren mellan flaskorna (fig. 9). Se till att slangarna ligger mellan flaskorna och att de inte är inklämda mellan flaskorna och rygglattan.
6. Kontrollera att de tätande O-ringarna sitter på plats och skruva fast flaskventilerna för hand i T-styckets flaskanslutningar (fig. 8).
7. Dra åt T-stycket för hand i samlingsstycket.
8. Dra åt flaskbandet runt flaskorna och sätt ihop det med spännet (fig. 3). Justera längden på bandet vid behov (fig. 4). Dra inte åt för hårt. Om spännbandet dras åt för hårt kan spännet och rygglattan skadas.
9. Stäng hävarmen på spännet (fig. 5). Kontrollera att låsblecket har låst hävarmen i det stängda läget (fig. 6). (För att öppna flaskspännet måste låsblecket först tryckas ned.)

FLASKPAKET

Montering

1. Placera flaskpaketet på en plan yta med flaskventilen vänd mot dig.
2. Kontrollera att den tätande O-ringen sitter på plats och skruva fast flaskventilen för hand i samlingsstycket.
3. Passa in fästskenans hål på dubbarna och skjut ryggplattan bort från dig tills bärstället klickar i läge. Kontrollera att flaskpaketet är rätt fastsatt genom att försiktigt lyfta bärstället i ryggplattans övre och nedre del (fig. 10).

Demontering

1. Skruva loss samlingsstycket från flaskventilen.
2. Tryck ned låsspärren i fästskenans övre del och drag samtidigt bärstället mot dig.

FLASKSNABBKOPPLING (TILLVAL)

Koppla ihop

Koppla samman flaskventilens adapter med samlingsstyckets flaskanslutning. Tryck ihop tills samlingsstycket ”klickar” fast med flaskventilen.(fig. 11). Kontrollera att snabbkopplingen har låst ordentligt genom att säkerställa att ytorna är i nivå med varandra. (fig. 12).

Koppla isär

Koppla isär genom att trycka snabbkopplingens ring bort från flaskventilen och ta bort samlingsstycket. Lyft bort flaskan (fig. 13).

OBS! BEFINTLIGA FLASKPAKET KAN UPPGRADERAS TILL SNABBKOPPLINGEN.

3 JUSTERING AV BÄRSTÄLLET

OBS! NÄR MAN STÅR UPPRÄTT MED ANDNINGSAPPARATEN PÅTAGEN SKA MERPARTEN AV VIKTEN BÄRAS PÅ HÖFTERNA OCH INTE PÅ AXLARNÄ.

Tryck ihop de röda knapparna under höftbältet (fig. 14 och 15) för att justera höftbältet i höjdd. Skjut höftbältet uppåt eller nedåt till korrekt storlek. Bärstället kan justeras i fyra olika storlekar. Storleksmarkeringarna sitter på bärställets fram- och baksida.

4 PÅTAGNING

1. Anslut andningsslangen till andningsventilen (fig. 16).
2. Anslut masken med andningsventilen enligt anvisningarna i handhavandemanualen till masken.
3. Lossa axelremmarna och midjebältet och ta på apparaten.
4. Dra nackremmen över huvudet.
5. Knäpp midjebältets spänne och dra åt (fig. 17) så att den största tyngden ligger på midjebältet och inte på axelremmarna.

6. Anpassa axelremmarna (fig. 18) och stoppa in eventuella lösa remmar. Om tillämpligt fäst bröstremmen och spänn den och stoppa in eventuellt lösa remmar.
7. Ta på masken enligt anvisningarna i handhavandemanualen för helmasken.
8. Öppna flaskventilen helt.



VARNING! SÄKERSTÄLL ATT FLASKVENTILEN ÄR HELT ÖPPEN FÖR ATT ELIMINERA RISKEN FÖR LUFTSTOPP NÄR FLASKTRYCKET SJUNKER.

5 KONTROLL FÖRE ANVÄNDNING

1. Kontrollera att trycket i flaskan är tillräckligt.
2. Håll andan och kontrollera att det inte hörs något luftflöde.
3. För in två fingrar mellan tätningskanten och ansiktet – det bör då höras ett starkt luftflöde (fig. 19).

OBS! DETTA TEST GÄLLER INTE FÖR ANDNINGSVENTILER UTAN SÄKERHETSTRYCK.

6 AVTAGNING AV APPARATEN

1. Stäng av säkerhetstrycket och ta av masken.
2. Stäng flaskventilen.

OBS! FÖR ATT FÖRHINDRA ATT FLASKVENTILEN STÄNGS OAVSIKTLIGT MÅSTE EN DEL VENTILRATTAR FÖRST TRYCKAS IN ELLER DRAS UT FÖR ATT KUNNA STÄNGAS.

3. Öppna spännet på midjebältet och lossa axelremmarna.
4. Ta av apparaten och öppna säkerhetstrycket för att avlufta systemet.

7 RENGÖRING OCH DESINFICERING

1. Koppla loss andningsventilen från ansiktsmasken. Låt andningsslangen sitta kvar i ventilen.
2. Sätt en tvättplugg på andningsventilen. Kontrollera att andningsventilen är avstängd.
3. När du tvättar flaskan, sätt tvättplugg 32350-51 på flaskventilens manometer, om sådan finns.
4. Öppna flaskventilen och kontrollera att systemet är trycksatt före rengöring.

OBS! OM FLASKVENTILEN ÄR ÖPPEN HINDRAS VATTEN FRÅN ATT TRÄNGA IN I SYSTEMET. BUBBLOR TYDER PÅ EVENTUELLT LÄCKAGE I SYSTEMET.

5. Sänk ner hela andningsapparaten i vatten med rengöringsmedel, eller spraya på vattnet. Använd BA Cleaner eller BA Manual Cleaner.

6. Rengör apparaten med svamp eller borste.
7. Skölj apparaten i rent vatten.
8. Ta bort alla tvättpluggar från andningsapparaten.
9. Stäng flaskventilen och aktivera positivt tryck för att rensa systemet från luft.
10. Torka apparaten i max 60 °C.
11. Rengör och desinficera ansiktsmasken och andningsventilen i enlighet med instruktionerna i ansiktsmaskens bruksanvisning.

TA BORT TEXTILDELAR

Textildelarna kan tas bort från ryggplattan för separat tvätt.

Demontering

1. Ta bort slangarna från axelbanden. Öppna slangskydden genom att haka loss de vridna D-ringarna, eller genom att öppna tryckknapparna.
2. Lossa flaskremmen.
3. Lossa flaskremmens spänne.
4. Lossa flaskremmen från ryggplattan och axeloket.
5. Lossa axeloket från ryggplattan. Lyft upp axeloket så att du når remmens vikta ände. Vänd på de vikta ändarna och för dem igenom ryggplattans öppning, och dra/tryck dem igenom öppningen [Bild 20]. Upprepa med den andra remmen.
6. Lossa hela höftbältet från ryggplattan. Ställ in höftbältet på storlek "S" och tryck in avskiljningsverktyget (32009-51) i ryggplattans spår [Bild 21]. För höftbältet uppåt och ut ur ryggplattan medan verktyget hålls i position

Montering

1. Placera höftbältet i ryggplattans spår. Tryck ihop flikarna för storleksjustering och dra höftbältet nedåt i spåret.
2. Montera axeloket på ryggplattan. Dra axelokets remmar genom öppningarna i ryggplattan. Den vikta änden av respektive rem ska sitta i ryggplattans fördjupning [Bild 20].
3. Montera flaskremmen från vänster sida, när utrustningen sitter på. För in flaskremmen från selens insida genom den första öppningen i ryggplattan, runt stället och genom den andra öppningen. Dra den genom remmen på axelokets baksida, genom öppningen (den andra öppningen från höger när utrustningen sitter på), runt stället och genom den första öppningen (första från höger när utrustningen sitter på) [Bild 22].
4. Montera flaskremmens spänne [Bild 23].
5. Montera flaskremmen under ryggplattans fyra klackar [Bild 7].
6. Montera slangarna under slangskydden på axeloket.

8 FÖRVARING OCH TRANSPORT

Förvara apparaten på en sval, torr och dammfri plats. Skydda gummidelarna mot direkt solljus, UV-strålning och direkt värme. När regulatorheten inte är ansluten ska ventilen alltid vara försedd med en blindpropp.

Under transport måste produkten vara väl skyddad i sin originalförpackning eller likvärdigt förpackningsmaterial.

9 EXTRA LUFTANSLUTNING

Vissa modeller är försedda med en extra luftanslutning som kan användas för att

1. ansluta ett system för ventilation av kemdräkt
2. ansluta en räddningsslang mellan två apparater
3. ansluta en extra mask
4. ansluta återupplivningsmasken Revitox eller EVAC evakueringshuva
5. mata apparaten från en extern luftkälla.



När luft tas från apparaten (steg 1–4 ovan) ökar luftförbrukningen och apparatens användningstid minskar.



En särskild honkoppling med backventilöppnare måste användas när luft tas från apparaten, steg 1–4 ovan. Den här anordningen öppnar backventilen i apparatens hananslutning.



När apparaten matas från en extern luftkälla får inte den här typen av honkoppling användas. I den här tillämpningen måste backventilen i hananslutningen kunna stängas om luftförsörjningen från den externa källan bryts.

10 ANVÄNDNING MED LUFTFÖRSÖRJNINGSSYSTEM

Anvisningarna i avsnitt 1, avsnitt 2 "Montering av flaska – enkelflaska" och avsnitt 3–12 gäller vid användning med flygplanssystem.

Luftslangen ansluts till hankopplingen på samlingsstycket till höger (som den bärs) på midjebältet.

Vid matning av luft från luftförsörjningsslangen ska flaskventilen på apparaten vara stängd.

Om luftmatningen från luftförsörjningsslangen bryts, öppna då flaskventilen helt på apparaten.

När flaskventilen har öppnats måste användaren omedelbart lämna riskområdet. Koppla bort luftförsörjningsslangen om det behövs.

Vid användning med öppen flaskventil, och tillsammans med en automatisk omkopplare mellan luftförsörjningsmatningen och apparatens luftflaska, ska följande anvisningar iakttas:

1. Avläs och notera trycket på apparatens manometer.
2. Anslut snabbkopplingen till luftförsörjningsslangen. Det högre trycket i luftförsörjningsslangen ska stänga av matningen från apparaten.
3. Läs av trycket på manometern på nytt efter två minuter. Under tiden som förflutit ska det inte förekomma något mätbart tryckfall. Den här kontrollen visar att det högre trycket i luftförsörjningssystemets slang förhindrar att luft tas från apparatens flaska.
4. Vid användning i riskområden ska trycket på manometern kontrolleras regelbundet. Avbryt användningen om ett tryckfall konstateras. Koppla bort luftförsörjningssystemets slang och ta dig till en säker plats med hjälp av bailout-apparaten som en flyktapparat.

11 MÄRKNING (FIG. 24)

MÄRKETIKETT PÅ RYGGPLATTAN

- A. Tillverkare
- B. Modellbeteckning
- C. Serienummer
- D. Europeisk norm och klassificering
- E. Tillverkningsår

12 SERVICE- OCH TESTSCHEMA

Service och testning ska utföras enligt service- och testschemat 97307. Besök www.interspiro.com för den senaste versionen.

EFTER VARJE ANVÄNDNING

1. Stäng av säkerhetstrycket (om det är aktuellt).
2. Öppna flaskventilen helt och avläs manometern.
3. Stäng flaskventilen.
4. Kontrollera att trycket inte sjunker.
5. Minska flasktrycket långsamt och kontrollera att varningsvisslan börjar ljuda vid 55 ± 5 bar.

MODÈLE DE BASE QS II

MANUEL DE L'UTILISATEUR - FRANÇAIS

Ce produit, qui fournit de l'air respirable à l'utilisateur, a été testé conformément à EN 137 Type 2 et doit être utilisé conformément à la réglementation locale.

Fabricant:

Interspiro AB

Boîte 2853, 18728 Täby, Suède.

1 PRECAUTIONS DE SECURITE

Le produit doit être utilisé uniquement avec :



les bouteilles Interspiro :

Spirolite 3,4 L ou 6,7 L

Composite 6,8 L ou 9,0 L

Acier 4 L ou 6 L

les masques intrégressifs Interspiro :

Série Inspire

Série Respire

Série S

Série Spiromatic



ATTENTION ! LE DISPOSITIF DE RESPIRATION AVEC CONFIGURATIONS À DEUX BOUTEILLES : SPIROLITE 6,7 L, COMPOSITE (AVEC REVÊTUES D'ALUMINIUM) 6,8 L ET BOUTEILLES EN ACIER 4 L OU 6 L, DÉPASSE LA LIMITE DE POIDS TOTAL CONFORMÉMENT À L'ARTICLE 6.6 DU RÈGLEMENT EN 137:2006.

Ce produit ne doit être utilisé que par des personnes en bonne condition physique et formées à la manipulation d'un équipement de protection de la respiration. Toute personne portant la barbe ou des favoris pourrait ne pas être habilitée à l'utilisation de ce produit. Ce dispositif doit faire l'objet d'une maintenance, d'un entretien et de tests, tel que décrits dans le présent manuel de l'utilisateur, dans les guides d'entretien Interspiro et les instructions de test Interspiro.



INTERSPIRO NE SAURAIT ÊTRE TENU RESPONSABLE

- ⚠ DE MAUVAISES ASSOCIATIONS DE PRODUITS, SAUF CEUX COMMERCIALISÉS PAR INTERSPIRO
 - ⚠ DES MODIFICATIONS OU ADAPTATIONS EFFECTUÉES SUR LE PRODUIT OU PAR UN TIERS
-



Interspiro est libre d'apporter des modifications à ce document (erreurs typographiques, informations inappropriées ou améliorations et modifications de l'équipement) à tout moment, sans préavis. Nous vous conseillons de toujours consulter le site www.interspiro.com pour accéder à des mises à jour des produits et des documents, ainsi qu'aux bulletins d'entretien. Toute condition extrême requiert dans certains cas des procédures différentes de celles décrites dans ce manuel. Ces précautions de sécurité ne constituent en aucun cas une extension des garanties et des garanties légales indiquées dans les conditions de vente.



L'air comprimé contenu dans les bouteilles doit répondre aux exigences définies par la norme EN 12021 et ne pas contenir d'huile, de substance toxique, ni avoir un degré d'humidité trop faible.



La durée d'utilisation d'un dispositif de respiration à air comprimé dépend du volume d'air contenu dans la(es) bouteille(s) et de la consommation d'air, consommation qui dépend de l'utilisateur et de la charge de travail. Lorsque vous prenez de l'air depuis la connexion supplémentaire, dont certains modèles sont équipés, la consommation d'air augmente et la durée de vie du dispositif est réduite.



Lorsque deux bouteilles à vanne séparées sont utilisées, elles doivent faire l'objet d'un remplissage à des pressions identiques. Ouvrez toujours les deux vannes de bouteille au moment de mettre sous pression le dispositif de respiration et veillez à ce qu'elles restent toutes les deux ouvertes durant l'utilisation du dispositif.



Si le dispositif de respiration autonome doit être utilisé avec d'autres équipements de protection individuelle, il est important de s'assurer que l'équipement supplémentaire est compatible avec le dispositif de respiration et qu'il ne compromet pas la protection d'ensemble de l'appareil de protection respiratoire.



Exemples de risques pouvant nécessiter l'utilisation d'équipements de protection individuelle supplémentaires:

- liquides, vapeurs ou gaz pouvant entraîner des lésions cutanées;
- polluants pouvant être absorbés par la peau;
- rayonnement thermique;
- effets mécaniques;
- environnements présentant des risques d'explosion;

2 MONTAGE DE LA BOUTEILLE

UNE SEULE BOUTEILLE

1. Assurez-vous que la boucle de la sangle pour bouteille est placée au plus près de la plaque dorsale. Positionnez le cylindre sur la plaque. [Fig. 1]
2. Vérifiez le joint torique et vissez fermement la vanne de la bouteille à la main, sur le bloc collecteur. [Fig. 2].

REMARQUE ! POUR LA CONNEXION RAPIDE DE BOUTEILLE, VOIR LA SECTION OPTION CONNEXION RAPIDE DE BOUTEILLE.

3. Serrez la sangle autour de la bouteille et fixez-la à la boucle [Fig. 3]. Réglez la longueur de la sangle si nécessaire. [Fig. 4] Ne serrez pas trop fort. Si vous serrez trop la sangle, vous risquez d'endommager la boucle et la plaque dorsale.
4. Fermez le levier de la boucle [Fig. 5]. Veillez à ce que la languette de fermeture ait bien verrouillé le levier en position fermée. [Fig. 6] (La languette de verrouillage doit être rabattue pour pouvoir déserrer la boucle de la bouteille.)

DEUX BOUTEILLES



ATTENTION ! LORSQUE DEUX BOUTEILLES À VANNE SÉPARÉES SONT UTILISÉES, ELLES DOIVENT FAIRE L'OBJET D'UN REMPLISSAGE À DES PRESSIONS IDENTIQUES. OUVREZ TOUJOURS LES DEUX VANNES AU MOMENT DE METTRE SOUS PRESSION LE DISPOSITIF DE RESPIRATION ET VEILLEZ À CE QU'ELLES RESTENT TOUTES LES DEUX OUVERTES DURANT L'UTILISATION DU DISPOSITIF.

1. Si vous avez déjà utilisé le système pour une seule bouteille, commencez par désengager la sangle de la bouteille des quatre languettes de la plaque dorsale [Fig. 7].
2. Assurez-vous que la boucle de la sangle pour bouteille est placée au plus près de la plaque dorsale.
3. Le cas échéant, installez l'entretoise et le support.
4. Vérifiez le joint torique et vissez le branchement en T sur le bloc collecteur, sans serrer trop fort.
5. Positionnez les bouteilles sur la plaque et l'entretoise au milieu. [Fig. 9] Vérifiez que les tuyaux passent entre les bouteilles et ne sont pas comprimés entre les bouteilles et la plaque dorsale.
6. Vérifiez le joint torique et vissez fermement les vannes des bouteilles à la main, sur le branchement en T. [Fig. 8]
7. Serrez à la main le branchement en T sur le bloc collecteur.
8. Serrez la sangle autour des bouteilles et fixez-la à l'aide de la boucle [Fig. 3]. Réglez la longueur de la sangle si nécessaire. [Fig. 4] Ne serrez pas trop fort. Si vous serrez trop la sangle, vous risquez d'endommager la boucle et la plaque dorsale.
9. Fermez le levier de la boucle [Fig. 5]. Veillez à ce que la languette de fermeture ait bien verrouillé le levier en position fermée. [Fig. 6] (La languette de verrouillage doit être rabattue pour pouvoir déserrer la boucle de la bouteille.)

BLOC-BOUEILLE

Montage

1. Placez le bloc-bouteille sur une surface plane, vanne orientée dans votre direction.
2. Vérifiez le joint torique et vissez fermement la vanne de la bouteille à la main, sur le bloc collecteur.
3. Placez les trous du collier pour bouteille sur les rondelles guide et poussez sur la plaque jusqu'à ce que le harnais soit bien en position (clic de confirmation). Vérifiez que le bloc-bouteille est correctement installé en soulevant le harnais avec précaution en haut et en bas de la plaque dorsale. [Fig. 10]

Démontage

1. Dévissez le bloc collecteur de la vanne de la bouteille.
2. Poussez le bras de verrouillage sur la partie supérieure du collier pour bouteille tout en tirant le harnais dans votre direction.

OPTION CONNEXION RAPIDE DE BOUTEILLE

Connexion

Connectez l'adaptateur de la vanne de bouteille au bloc collecteur de connexion de la bouteille. Serrez jusqu'à ce que le bloc collecteur "s'enclenche" dans la vanne de bouteille. [Fig. 11] Vérifiez que la connexion est correctement verrouillée en vérifiant que les surfaces sont alignées. [Fig. 12]

Déconnexion

Déconnecter en éloignant la bague de la connexion rapide de la vanne de bouteille et en retirant le collecteur. [Fig. 12] Soulevez la bouteille. [Fig. 13]

REMARQUE | LES ÉQUIPEMENTS EXISTANTS PEUVENT ÊTRE MIS À NIVEAU AVEC UNE CONNEXION RAPIDE DE BOUTEILLE.

3 RÉGLAGE DU HARNAIS

REMARQUE | EN POSITION DEBOUT AVEC LE DISPOSITIF DE RESPIRATION, LA MAJEURE PARTIE DU POIDS DOIT ÊTRE SUPPORTÉE PAR LES HANCHES ET NON LES ÉPAULES.

Pour régler la hauteur de la ceinture, appuyez simultanément sur les boutons rouges situés sous la ceinture [Fig. 14 & 15] et faites glisser la ceinture vers le haut ou vers le bas jusqu'à obtenir la taille souhaitée. Le harnais est réglable sur quatre tailles différentes. Les tailles sont indiquées à l'avant et à l'arrière du harnais.

4 MISE EN PLACE

1. Raccordez la vanne de respiration au tuyau moyenne pression.
2. Raccordez le masque facial et la vanne de respiration selon les instructions fournies dans le manuel d'instructions du masque facial.
3. Desserrez les bretelles et la ceinture ventrale, puis placez le dispositif sur vos épaules.
4. Positionnez l'encolure autour du cou.

5. Resserrez la boucle de la ceinture ventrale [Fig. 17] en veillant à ce que la majeure partie du poids soit supportée par les sangles ventrales et non par les bretelles.
6. Réglez les bretelles [Fig. 18] et rentrez toutes les sangles qui dépassent. Si votre dispositif en est équipé, serrez la sangle pectorale puis rentrez les sangles qui dépassent
7. Positionnez le masque facial selon les instructions fournies dans le manuel d'instructions du masque.
8. Ouvrez entièrement la vanne de la bouteille.

AVERTISSEMENT: ASSUREZ-VOUS D'OUVRIRE COMPLÈTEMENT LA VANNE DE LA BOUTEILLE POUR ÉLIMINER LE RISQUE D'INTERRUPTION DE L'ALIMENTATION DE L'AIR LORSQU'UNE BAISSÉ DE LA PRESSION EN BOUTEILLE.

5 VERIFICATION AVANT UTILISATION

1. Vérifiez que la pression de la bouteille est suffisante.
2. Retenez votre respiration et vérifiez qu'aucun écoulement d'air ne se fait entendre.
3. Placez deux doigts entre le rebord d'étanchéité et le visage. Vous devriez entendre très nettement un écoulement d'air [Fig. 19].

REMARQUE : CE TEST NE PEUT ÊTRE PRATIQUÉ SUR DES VANNES DE RESPIRATION DE PRESSION NORMALE.

6 RETRAIT DU DISPOSITIF

1. Désactivez la pression positive et retirez le masque.
2. Fermez la vanne de la bouteille.

REMARQUE : POUR EMPÊCHER LA FERMETURE INVOLONTAIRE DE LA VANNE DE LA BOUTEILLE, VOUS DEVEZ ENFONCER OU TIREZ LA MOLETTE AVANT DE LA FAIRE TOURNER (CERTAINS MODÈLES).

3. Desserrez la boucle de la ceinture ventrale puis les bretelles.
4. Retirez le dispositif et activez la pression positive pour purger l'air du système.

7 NETTOYAGE ET DÉSINFECTION

1. Retirez la vanne de respiration du masque. Ne retirez pas le tuyau d'air de la vanne de respiration.
2. Insérez un bouchon de lavage sur la vanne de respiration et sur le sifflet.
3. Pour le nettoyage de la bouteille, utilisez le bouchon de lavage 32350-51 sur le manomètre du robinet de bouteille le cas échéant.
4. Ouvrez le robinet de la bouteille et vérifiez qu'il y a de la pression dans le système avant de commencer le nettoyage.

REMARQUE : EN OUVRANT LA VANNE DE LA BOUTEILLE, VOUS ÉVITEZ QUE DE L'EAU N'ENTRE DANS LE SYSTÈME. LES BULLES INDIQUENT UNE FUITE.

5. Vaporisez ou plongez l'appareil respiratoire dans de l'eau ou un produit de nettoyage. Utilisez un produit de nettoyage recommandé par Interspiro, à 55°C maximum.
6. Nettoyez le matériel avec une éponge ou une brosse.
7. Rincez le matériel à l'eau claire, à 60°C maximum.
8. Retirez tous les bouchons de lavage de l'appareil respiratoire.
9. Fermez le robinet de la bouteille et activez la pression positive pour purger l'air du système.
10. Faites sécher l'équipement à 60°C maximum
11. Nettoyez et désinfectez le masque et la vanne de respiration comme indiqué dans le manuel de l'utilisateur du masque facial.

RETRAIT DES ÉLÉMENTS TEXTILES

Les parties textiles peuvent être retirées de la plaque dorsale et nettoyées séparément.

Démontage

1. Enlevez les tuyaux des bretelles. Ouvrez les protège-tuyaux en décrochant le côté court des anneaux "D", ou ouvrez les boutons-pression.
2. Décrochez la sangle de bouteille.
3. Retirez la boucle de la sangle de bouteille.
4. Retirez la sangle de bouteille de la plaque dorsale et du rembourrage d'épaule.
5. Retirez le rembourrage d'épaule de la plaque dorsale. Soulevez le rembourrage d'épaule pour atteindre l'extrémité pliée de la sangle tissée. Tournez la sangle de façon à ce qu'elle passe dans la fente de la plaque dorsale et tirez/poussez-la dans la fente (Fig. 20). Procédez de même pour la sangle suivante.
6. Retirez l'ensemble de la sangle de ceinture de la plaque dorsale. Faites glisser la ceinture jusqu'à la taille "S" et poussez l'outil de démontage (32009-51) dans la rainure de la plaque dorsale (Fig. 21). Faites glisser toute la partie ceinture vers le haut pour la détacher de la plaque dorsale en laissant l'outil en position.

Montage

1. Placez l'attache de ceinture dans la rainure de la plaque dorsale. Resserrez les picots de réglage de taille et faites glisser l'ensemble de la ceinture dans la rainure.
2. Retirez le rembourrage d'épaule de la plaque dorsale. Placez la sangle du rembourrage d'épaule dans les fentes de la plaque dorsale. L'arrêt plié à l'extrémité de chaque sangle devra s'insérer dans les cavités de la plaque dorsale (Fig. 20).

3. Montez la sangle de bouteille à partir de la gauche du harnais porté. Insérez la sangle de bouteille depuis l'intérieur du harnais à travers la première fente de la plaque dorsale autour de la barrette et dans la deuxième fente. Passez-la dans la sangle située sur l'envers du rembourrage d'épaule, dans la fente (deuxième à partir de la droite du harnais porté), autour de la barrette et dans la fente (première à partir de la droite du harnais porté) (Fig. 22).
4. Assemblez la boucle de la sangle de bouteille (Fig. 23).
5. Assemblez la sangle de la bouteille sous les quatre ergots de la plaque dorsale (Fig. 7).
6. Montez les tuyaux dans les protège-tuyaux sur le rembourrage d'épaule.

8 STOCKAGE ET TRANSPORT

Stockez le dispositif dans un environnement frais, sec et sans poussière. Protégez les parties en caoutchouc de la lumière directe du soleil, des UV et de toute source directe de chaleur. Lorsque l'unité de régulation n'est pas branchée, un bouchon de protection doit toujours être positionné sur la vanne de la bouteille.

Pendant le transport, le produit doit être bien protégé avec le matériau d'emballage d'origine ou d'un matériau d'emballage équivalent.

9 CONNEXION D'AIR SUPPLÉMENTAIRE

Certains modèles sont équipés d'une connexion d'air supplémentaire servant à :

1. brancher un système de ventilation de combinaison chimique
2. brancher un tuyau de secours entre deux dispositifs
3. brancher un masque supplémentaire
4. brancher le masque réanimateur Revitox ou la cagoule d'évacuation EVAC
5. alimenter le dispositif avec une source d'air externe



Lorsque vous prenez de l'air depuis l'appareil, points 1 à 4 ci-dessus, la consommation d'air augmente et la durée de l'appareil est réduite.



Une fiche femelle spéciale avec un coude de vanne de non-retour doit être utilisée pour prendre de l'air depuis l'appareil, points 1 à 4 ci-dessus. Cet appareil ouvre la vanne de non-retour dans la connexion mâle du dispositif.



Lorsque l'appareil est alimenté depuis une source d'air externe, ces fiches femelles ne doivent pas être utilisées. Dans ce cas, la vanne de non retour dans la connexion mâle doit pouvoir se fermer en cas d'interruption de l'alimentation en air depuis la source externe.

10 UTILISATION AVEC UN SYSTÈME D'ALIMENTATION DE L'AIR

Les instructions en Section 1, Section 2 - "Montage de la bouteille -bouteille unique" et Sections 3 à 12 s'appliquent à l'utilisation d'un système d'alimentation de l'air.

Le tuyau d'alimentation de l'air est branché à la fiche mâle sur le collecteur situé à droite de la boucle de la ceinture.

La vanne du cylindre de l'ARA doit être fermée lors d'une alimentation via le tuyau d'alimentation de l'air.

En cas d'interruption de l'alimentation par le tuyau d'alimentation de l'air, ouvrez complètement la vanne bouteille de l'ARA.

L'utilisateur doit immédiatement quitter la zone dangereuse, lorsque la vanne de la bouteille a été ouverte. Débranchez le tuyau d'alimentation de l'air, si nécessaire.

Observez les instructions suivantes lors d'une utilisation avec une vanne de bouteille ouverte, conjointement avec un commutateur automatique entre l'alimentation en air et la bouteille ARA :

1. Lisez et notez la pression indiquée sur le manomètre de l'ARA.
2. Branchez la connexion rapide de l'ARA au tuyau d'alimentation en air. Une pression plus élevée dans le tuyau éteint l'alimentation de l'ARA.
3. Après deux minutes, contrôlez de nouveau la pression au manomètre. Il ne devrait pas y avoir de perte de pression notable pendant ce temps. Cette vérification indique qu'une pression élevée dans le tuyau d'alimentation empêche l'air de sortir de l'ARA.
4. Lors d'une utilisation dans un environnement dangereux, vérifiez souvent la pression affichée au manomètre. Cessez l'utilisation si la pression diminue. Déconnectez le tuyau d'alimentation et quittez la zone dangereuse avec le set de sauvetage et un dispositif de fuite.

11 MARQUAGES (FIG. 24)

ÉTIQUETTE SITUÉE SUR LA PLAQUE DORSALE

- A. Fabricant
- B. Désignation du modèle
- C. Numéro de série
- D. Norme européenne et classification
- E. Année de fabrication

12 PLAN D'ENTRETIEN ET DES TESTS

L'entretien et les tests doivent avoir lieu selon le plan d'entretien et de tests 97307. Rendez-vous sur www.interspiro.com pour obtenir la dernière version.

APRÈS CHAQUE UTILISATION

1. Désactivez la pression positive (si possible).
2. Ouvrez la vanne de la bouteille et lisez la pression indiquée au manomètre.
3. Fermez la vanne de la bouteille.
4. Vérifiez que la pression ne chute pas.
5. Réduisez lentement la pression de la bouteille et vérifiez que le sifflet commence émettre un son à 55 +/- 5 bars.

QS II - MODELLO BASE

MANUALE DELL'UTENTE - ITALIANO

Questo prodotto, che fornisce aria respirabile all'utente, è stato testato in conformità a EN 137 Type 2 e deve essere utilizzato secondo le normative locali vigenti.

Produttore:

Interspiro AB

Box 2853, 18728 Täby, Svezia.

1 INFORMATIVA SULLA SICUREZZA

Questo prodotto può essere utilizzato esclusivamente con:



Bombole Interspiro:

Spirolite da 3,4 l o 6,7 l

Composite da 6,8 l o 9,0 l

Acciaio da 4 l o 6 l

Maschere pieno facciali Interspiro:

Serie Inspire

Serie Respire

Serie S

Serie Spiromatic



ATTENZIONE! IL RESPIRATORE CON CONFIGURAZIONE A DOPPIA BOMBOLA: SPIROLITE 6,7 L, COMPOSITE 6,8 L (CON RIVESTIMENTO IN ALLUMINIO) O L E IN ACCIAIO 4 L O 6 L, SUPERA IL LIMITE STABILITO PER IL PESO TOTALE IN CONFORMITÀ AL PUNTO 6.6 DELLA NORMA EN 137:2006.



Il prodotto deve essere utilizzato esclusivamente da personale in buone condizioni di salute e addestrato all'uso di dispositivi di protezione delle vie respiratorie.

Per i soggetti con barba o grandi basette il dispositivo potrebbe non sigillare correttamente. L'apparecchio deve essere conservato, mantenuto e testato come descritto nel presente manuale dell'utente, nei manuali di assistenza Interspiro e nelle istruzioni per test Interspiro.



INTERSPIRO NON È RESPONSABILE DI:

- ❖ COMBINAZIONI DI PRODOTTI, SE NON COMMERCIALIZZATI DA INTERSPIRO
- ❖ VARIAZIONI O ADATTAMENTI APPLICATI AL PRODOTTO DA TERZI



Il presente documento può essere soggetto a modifica, per errori tipografici, imprecisioni nelle informazioni attuali o migliorie e cambiamenti di dispositivo, in qualsiasi momento e senza obbligo di preavviso. Consultare sempre il sito Internet www.interspiro.com per aggiornamenti sui prodotti, aggiornamenti ai documenti e notifiche sull'assistenza. L'esposizione a condizioni estreme potrebbe richiedere azioni diverse da quelle descritte nel presente manuale. Le garanzie specificate nelle condizioni di vendita non vengono estese da questa Informativa sulla sicurezza.



L'aria respirabile con cui vengono caricate le bombole deve essere conforme ai requisiti stabiliti dalla norma EN 12021 e quindi priva di olio e sostanze tossiche e con un basso tasso di umidità.



La durata di un respiratore ad aria compressa dipende dal volume di aria nelle bombole di aria compressa e dal consumo di aria, che è specifica dell'operatore che indossa il dispositivo e soggetta al carico di lavoro. Quando si prende aria da un collegamento per l'aria aggiuntivo, funzionalità di cui sono dotati alcuni modelli, il consumo di aria aumenta e la durata del dispositivo diminuisce.



Se si utilizzano due bombole separate con valvole indipendenti, le due bombole devono essere caricate con pressioni di esercizio simili. Aprire sempre entrambe le valvole della bombola quando si pressurizza il respiratore e controllare che entrambe le valvole della bombola restino aperte durante l'uso del dispositivo.



Se l'autorespiratore viene utilizzato in combinazione con altri dispositivi di protezione personale, è importante verificare che il dispositivo di protezione personale aggiuntivo sia compatibile con il respiratore e che non comprometta la protezione totale garantita dal dispositivo di protezione delle vie respiratorie.

Esempi di pericoli che possono richiedere l'uso di dispositivi di protezione personale aggiuntivi:

- liquidi, vapore o gas che possono danneggiare la pelle
- agenti inquinanti che la pelle può assorbire
- radiazione termica
- effetti di macchine
- ambienti esplosivi.

2 MONTAGGIO DELLE BOMBOLE

BOMBOLA SINGOLA

1. Controllare che la fibbia della cinghia della bombola sia il più vicina possibile allo schienalino. Posizionare la bombola sullo schienalino. [Fig. 1]
2. Controllare l'O-ring di raccordo e serrare saldamente a mano la valvola della bombola al collegamento della bombola sul blocco collettore. [Fig. 2]

NOTA PER IL COLLEGAMENTO RAPIDO DELLA BOMBOLE, VEDERE LA SEZIONE OPZIONE DI COLLEGAMENTO RAPIDO DELLA BOMBOLE.

3. Allacciare la cinghia della bombola intorno alla bombola e agganciarla alla fibbia [fig. 3]. Se necessario, regolare la lunghezza della cinghia. [Fig 4] Non serrare eccessivamente. Serrando troppo la cinghia, si rischia di danneggiare la fibbia e lo schienalino.
4. Chiudere la leva sulla fibbia [fig. 5]. Controllare che il fermo di bloccaggio abbia bloccato la leva nella posizione di chiusura. [Fig. 6] (Per rilasciare la fibbia della bombola, è necessario premere sul fermo di bloccaggio.)

BOMBOLE DOPPIE



ATTENZIONE! SE SI UTILIZZANO DUE BOMBOLE SEPARATE CON VALVOLE INDIPENDENTI, LE DUE BOMBOLE DEVONO ESSERE CARICATE CON PRESSIONI DI ESERCIZIO SIMILI. APRIRE SEMPRE ENTRAMBE LE VALVOLE DELLA BOMBOLA QUANDO SI PRESSURIZZA IL RESPIRATORE E CONTROLLARE CHE ENTRAMBE LE VALVOLE DELLA BOMBOLA RESTINO APERTE DURANTE L'USO DEL DISPOSITIVO.

1. Se utilizzato in precedenza per una sola bombola, iniziare rilasciando la cinghia dalle quattro alette sullo schienalino [fig. 7].
2. Controllare che la cinghia della bombola sia posizionata con la fibbia il più vicino possibile allo schienalino.
3. Se pertinente, montare il supporto per cinghia e il distanziatore per bombole.
4. Controllare l'O-ring di raccordo e avvitare il raccordo a T al collegamento della bombola sul blocco collettore. Non serrare.
5. Posizionare le bombole sullo schienalino con il supporto per cinghia tra le due bombole. [Fig. 9] Controllare che i tubi si trovino tra le due bombole e non schiacciati tra le bombole e lo schienalino.
6. Controllare gli O-ring di raccordo e serrare saldamente a mano le valvole delle bombole ai collegamenti sul raccordo a T. [Fig. 8]
7. Serrare a mano il raccordo a T al blocco collettore.
8. Allacciare la cinghia della bombola intorno alle bombole e agganciarla alla fibbia [fig. 3]. Se necessario, regolare la lunghezza della cinghia. [Fig 4] Non serrare eccessivamente. Serrando troppo la cinghia, si rischia di danneggiare la fibbia e lo schienalino.

9. Chiudere la leva sulla fibbia [fig. 5]. Controllare che il fermo di bloccaggio abbia bloccato la leva nella posizione di chiusura. [Fig. 6] (Per rilasciare la fibbia della bombola, è necessario premere sul fermo di bloccaggio.)

BLOCCO BOMBOLA

Montaggio

1. Posizionare il blocco bombola su una superficie piana con la valvola della bombola rivolta verso di sé.
2. Controllare l'O-ring di raccordo e serrare saldamente a mano la valvola della bombola al collegamento della bombola sul blocco collettore.
3. Inserire i fori della staffa portabombola nelle rondelle guida e spingere lo schienalino fino a che la bardatura non si blocca in posizione. Controllare che il blocco bombola sia montato correttamente sollevando la bardatura nella parte superiore e inferiore dello schienalino. [Fig. 10]

Smontaggio

1. Svitare il raccordo della bombola del blocco collettore dalla valvola della bombola.
2. Premere il braccio di blocco sulla parte superiore della staffa portabombola e nel contempo tirare la bardatura verso di sé.

OPZIONE DI ATTACCO RAPIDO DELLA BOMBOLA

Collegamento

Collegare l'adattatore della valvola della bombola al raccordo del blocco collettore della bombola. Premere insieme fino a quando il collettore "scatta" nella valvola della bombola. [Figura. 11] Verificare che la connessione sia correttamente bloccata verificando che le superfici siano allineate tra loro. [Fig. 12]

Disconnessione

Scollegare premendo l'anello dell'attacco rapido lontano dalla valvola della bombola e rimuovendo il collettore. [Fig. 13]

NOTA! LE ATTREZZATURE ESITENTI POSSONO ESSERE AGGIORNATE CON UN COLLEGAMENTO RAPIDO DELLA BOMBOLA.

3 REGOLAZIONE DELLA BARDATURA

NOTA. QUANDO SI INDOSSA IL RESPIRATORE E SI STA IN PIEDI, LA MAGGIOR PARTE DEL PESO VIENE SORRETTA DAI FIANCHI E NON DALLE SPALLE.

Per regolare l'altezza della cintura addominale, premere contemporaneamente i pulsanti che si trovano sotto la cintura [fig. 14 e 15] e far scorrere la cintura addominale verso l'alto o verso il basso fino alla configurazione corretta. La bardatura può essere regolata in quattro taglie diverse. Le indicazioni relative alle taglie sono disponibili sia sul lato anteriore che posteriore della bardatura.

4 INDOSSAMENTO

1. Collegare il tubo di respirazione alla valvola di respirazione [fig. 16].
2. Collegare la maschera pieno facciale alla valvola di respirazione seguendo le istruzioni fornite nel manuale dell'utente della maschera.
3. Allentare le spalline e la cintura a vita e indossare il dispositivo.
4. Posizionare il laccetto per il collo sopra la testa.
5. Chiudere la fibbia della cintura a vita e serrare [fig. 17], assicurandosi che il peso venga scaricato sulla vita e non sulle spalle.
6. Regolare le spalline [fig. 18] e rimboccare eventuali cinghie lente. Se pertinente, chiudere e serrare la cinghia sul petto, quindi rimboccare eventuali cinghie lente.
7. Indossare la maschera pieno facciale seguendo le istruzioni fornite nel manuale dell'utente della maschera.
8. Aprire completamente la valvola della bombola.



ATTENZIONE: APRIRE LA VALVOLA DELLA BOMBOLA TOTALMENTE PER EVITARE L'INTERRUZIONE DEL FLUSSO D'ARIA NEL MOMENTO CHE LA PRESSIONE DELLA BOMBOLA CALA.

5 CONTROLLI PRIMA DELL'USO

1. Controllare che la pressione della bombola sia sufficiente.
2. Trattenere il respiro e controllare che non sia percepibile all'udito alcun flusso di aria.
3. Infilare due dita tra il bordo di tenuta e il viso e accertarsi che sia udibile un forte flusso d'aria [fig. 19].

NOTA. QUESTO TEST NON PUÒ ESSERE ESEGUITO IN PRESENZA DI VALVOLE DI RESPIRAZIONE A PRESSIONE NORMALE.

6 RIMOZIONE DEL DISPOSITIVO

1. Spegnere la pressione positiva e rimuovere la maschera pieno facciale.
2. Chiudere la valvola della bombola.

NOTA. PER EVITARE DI CHIUDERE ACCIDENTALMENTE LA VALVOLA DELLA BOMBOLA, È NECESSARIO PREMERE O ESTRARRE ALCUNI VOLANTINI PRIMA DI POTERLI RUOTARE.

3. Slacciare la fibbia della cintura a vita e allentare le spalline.
4. Rimuovere il dispositivo e attivare la pressione positiva per spurgare l'aria dal sistema.

7 PULIZIA E DISINFEZIONE

1. Scollegare la valvola di respirazione dalla maschera pieno facciale. Non scollegare il tubo di respirazione dalla valvola di respirazione.
2. Installare un tappo terminale di lavaggio sulla valvola di respirazione e sul fischietto.
3. Quando si lava la bombola, utilizzare il tappo terminale di lavaggio 32350-51 sul manometro della valvola della bombola, se pertinente.
4. Aprire la valvola della bombola e controllare che vi sia pressione nel sistema prima di pulire.

NOTA: CON LA VALVOLA DELLA BOMBOLA APERTA SI EVITA LA PENETRAZIONE DI ACQUA NEL SISTEMA. LA PRESENZA DI BOLLE POTRÀ INDICARE EVENTUALI PERDITE NEL SISTEMA.

5. Spruzzare o immergere il respiratore in acqua e solvente detergente. Utilizzare solvente detergente consigliato da Interspiro a una temperatura massima di 55°C.
6. Pulire l'attrezzatura con una spugna o una spazzola.
7. Sciacquare l'attrezzatura in acqua pulita a una temperatura massima di 60°C.
8. Rimuovere tutti i tappi terminali di lavaggio dal respiratore.
9. Chiudere la valvola della bombola e attivare la pressione positiva per eliminare l'aria dal sistema.
10. Asciugare l'attrezzatura a una temperatura massima di 60°C.
11. Pulire e disinfettare la maschera pieno facciale e la valvola di respirazione seguendo le istruzioni fornite nel manuale d'uso della maschera.

RIMOZIONE DELLE PARTI IN TESSUTO

Le parti in tessuto possono essere rimosse dallo schienalino per lavarle separatamente.

Smontaggio

1. Rimuovere i tubi dalle spalline. Aprire i copritubo sganciando l'estremità corta degli anelli a D a spirale oppure aprendo i bottoni a pressione.
2. Sganciare la cinghia della bombola.
3. Rimuovere la fibbia della cinghia della bombola.

4. Rimuovere la cinghia della bombola dallo schienalino e dalla spallina imbottita.
5. Rimuovere la spallina imbottita dallo schienalino. Sollevare la spallina imbottita per arrivare all'estremità ripiegata della cinghia. Curvare la cinghia ripiegata in modo da farla passare attraverso la fessura presente nello schienalino e spingerla/tirarla attraverso la fessura [fig. 20]. Ripetere la procedura per la cinghia successiva.
6. Rimuovere completamente la cintura addominale dallo schienalino. Far scorrere la cintura addominale fino alla taglia "S" e spingere lo strumento di sganciamento (32009-51) nella guida presente sullo schienalino [fig. 21]. Far scorrere verso l'alto il gruppo della cintura addominale per rimuoverlo dallo schienalino mentre lo strumento è ancora in posizione.

Montaggio

1. Posizionare l'aggancio della cintura addominale nella guida presente sullo schienalino. Unire le linguette di regolazione della taglia e far scorrere la cintura addominale in basso nella guida.
2. Montare la spallina imbottita nello schienalino. Far passare la cinghia della spallina imbottita attraverso le apposite fessure sullo schienalino. Le estremità ripiegate di ogni cinghia devono trovarsi nelle cavità dello schienalino [fig. 20].
3. Montare la cinghia della bombola del lato sinistro così come la si indossa. Inserire la cinghia della bombola dalla parte interna della bardatura attraverso la prima fessura dello schienalino facendola passare attorno alla fascia centrale per poi introdurla nella seconda fessura. Farla passare dalla cinghia sul lato posteriore della spallina imbottita, dalla fessura (seconda da destra come indossata), attorno al perno e attraverso la fessura (prima da destra come indossata) [fig. 22].
4. Montare la fibbia della cinghia della bombola [fig. 23].
5. Montare la cinghia della bombola sotto le quattro alette presenti sullo schienalino [fig. 7].
6. Montare i tubi nei copritubo sulla spallina imbottita.

8 CONSERVAZIONE E TRASPORTO

Conservare in un ambiente fresco, asciutto e privo di polvere. Proteggere le parti in gomma dalla luce diretta del sole, dalle radiazioni UV e da fonti di calore diretto. Quando il regolatore non è collegato, è necessario applicare sempre un tappo di protezione alla valvola della bombola.

Durante il trasporto il prodotto deve essere ben protetto all'interno del materiale di imballaggio originale o materiale di imballaggio equivalente.

9 COLLEGAMENTO PER L'ARIA AGGIUNTIVO

Alcuni modelli sono dotati di un collegamento per l'aria aggiuntivo utilizzato per:

1. Collegarsi al sistema di ventilazione di una tuta di protezione NBC
2. Collegare un tubo di salvataggio tra due aspiratori
3. Collegare una maschera aggiuntiva
4. Collegarsi alla maschera di rianimazione Revitox o alla maschera di evacuazione EVAC
5. Alimentare il respiratore da una sorgente di aria esterna

Quando si prende aria dal respiratore, punti 1-4 sopra, il consumo di aria aumenta e la durata del dispositivo diminuisce.

Utilizzare un giunto femmina speciale con una valvola di non ritorno quando si prende aria dal respiratore, punti 1-4 sopra. Questo dispositivo apre la valvola di non ritorno nel giunto maschio sul respiratore.

Quando si alimenta il respiratore da una sorgente di aria esterna, non è necessario utilizzare questo tipo di attacco femmina. In questa applicazione, la valvola di non ritorno dell'attacco maschio deve essere in grado di chiudersi in caso di interruzione dell'erogazione di aria dalla sorgente esterna.

10 UTILIZZO CON UN SISTEMA DI ALIMENTAZIONE DELL'ARIA

LE istruzioni fornite nella sezione 1, nella sezione 2 (Montaggio delle bombole - Bombola singola) e nelle sezioni da 3 a 12 fanno riferimento all'utilizzo con il sistema di alimentazione dell'aria.

Il tubo di alimentazione dell'aria è collegato al raccordo maschio sul collettore che si trova sul lato sinistro (come indossata) della cintura a vita.

Quando si utilizza con aria erogata dal tubo di alimentazione dell'aria, la valvola della bombola sull'autorespiratore deve essere chiusa.

Se l'erogazione dal tubo di alimentazione dell'aria si interrompe, aprire completamente la valvola della bombola dell'autorespiratore.

Una volta aperta la valvola della bombola, l'utente deve allontanarsi immediatamente dall'area di pericolo. Se necessario, scollegare il tubo di alimentazione dell'aria.

Se si utilizza con la valvola della bombola aperta e in combinazione con un interruttore automatico tra alimentazione dell'aria e bombola dell'autorespiratore, attenersi alle seguenti istruzioni.

1. Leggere e annotare il valore della pressione riportato nel manometro dell'autorespiratore.
2. Collegare l'attacco rapido dell'autorespiratore al tubo di alimentazione dell'aria. La pressione più alta nel tubo di alimentazione dovrebbe interrompere l'erogazione dall'autorespiratore.
3. Dopo due minuti, leggere nuovamente il valore della pressione dal manometro.

Durante questo lasso di tempo, non devono verificarsi cali misurabili di pressione sul manometro. Questo controllo indica che la pressione più alta nel tubo di alimentazione dell'aria sta impedendo di prendere l'aria dalla bombola dell'autorespiratore.

4. Durante l'uso in ambienti pericolosi, controllare in modo regolare la pressione visualizzata sul manometro e, se si riscontra un calo, interrompere immediatamente l'utilizzo. Scollegare il tubo di alimentazione dell'aria e accedere a un'area sicura utilizzando la bombola di bailout come dispositivo di fuga.

11 SIMBOLI (FIG. 24)

ETICHETTA POSIZIONATA SULLO SCHIENALINO

- A. Produttore
- B. Indicazione del modello
- C. Numero di serie
- D. Standard europeo e classificazione
- E. Anno di produzione

12 PROGRAMMA DI MANUTENZIONE E COLLAUDO

La manutenzione e il collaudo devono essere eseguiti in conformità al relativo programma 97307. Per l'ultima revisione, consultare il sito www.interspiro.com.

DOPO OGNI UTILIZZO

1. Spegnerne la pressione positiva (se pertinente).
2. Aprire completamente la valvola della bombola e leggere il valore riportato sul manometro.
3. Chiudere la valvola della bombola.
4. Controllare che non vi siano cali di pressione.
5. Diminuire lentamente la pressione della bombola e controllare che il fischietto emetta un segnale acustico a 55 ± 5 bar.

MODELO BÁSICO QS II

MANUAL DO UTILIZADOR - PORTUGUÊS

Este produto, que fornece ar respirável ao utilizador, foi testado de acordo com EN 137 Type 2 e deve ser usado de acordo com os regulamentos locais.

fabricante:

Interspiro AB

Box 2853, 18728 Täby, Suécia.

1 NOTIFICAÇÃO DE SEGURANÇA

O produto apenas deve ser utilizado com:



Cilindros da Interspiro:

Spirolite de 3,4 l ou 6,7 l

Composto de 6,8 l ou 9 l

Aço de 4 l ou 6 l

Máscara completa da Interspiro:

Série Inspire

Série Respire

Série S

Série Spiromatic



ATENÇÃO! APARELHO RESPIRATÓRIO COM CONFIGURAÇÕES DE CILINDRO DUPLO: SPIROLITE DE 6,7 L, COMPOSTO DE 6,8 L (COM REVESTIMENTO DE ALUMÍNIO) E CILINDROS DE AÇO DE 4 L OU 6 L EXCEDEM O LIMITE DE PESO TOTAL DE ACORDO COM O PONTO 6.6 DA NORMA EN 137:2006.



O produto apenas deve ser utilizado por pessoal em bom estado de saúde que tenha recebido formação na utilização de equipamento de proteção respiratória.

Os indivíduos com barba ou grandes patilhas poderão não obter uma vedação adequada. O aparelho deve ser mantido, revisto e testado conforme descrito neste manual do utilizador, manuais de serviço da Interspiro e instruções de teste da Interspiro.



A INTERSPIRO NÃO SE RESPONSABILIZA POR

❖ COMBINAÇÕES DE PRODUTOS, SALVO SE FOREM COMERCIALIZADOS PELA INTERSPIRO

❖ ALTERAÇÕES OU ADAPTAÇÕES DO PRODUTO EFETUADAS POR TERCEIROS



Poderão ser efetuadas alterações a este documento sem aviso prévio, devido a erros tipográficos, imprecisões das informações atuais ou melhorias e alterações ao equipamento. Consulte sempre www.interspiro.com para obter atualizações de produtos, atualizações de documentos e boletins de serviço. A exposição a condições extremas poderá exigir a adoção de outras medidas que não estejam descritas neste manual. As garantias especificadas nas condições de venda não são alargadas por esta Notificação de Segurança.



O ar respirável com o qual os cilindros são carregados deverá cumprir os requisitos de acordo com a norma EN 12021, não contendo óleo nem substâncias tóxicas e tendo um nível de humidade baixo.



A duração de um aparelho respiratório de ar comprimido depende do volume de ar nos cilindros de ar comprimido e do consumo de ar, que é específica para cada utilizador e é influenciada pelo volume de trabalho. Ao utilizar ar da ligação de ar extra (que está incluída em alguns modelos), o consumo de ar aumenta e a duração do aparelho diminui.



Quando operar com dois cilindros separados com válvulas independentes, ambos os cilindros devem ser carregados com pressões de funcionamento semelhantes. Abra sempre ambas as válvulas do cilindro quando pressurizar o aparelho respiratório e certifique-se de que ambas as válvulas do cilindro permanecem abertas durante a utilização do aparelho.



Se o aparelho respiratório autónomo tiver de ser utilizado em conjunto com outro equipamento de proteção pessoal, é importante garantir que o equipamento de proteção pessoal adicional é compatível com o aparelho respiratório e que não prejudica a proteção integral do dispositivo de proteção respiratória.



Exemplos de perigos que podem exigir a utilização de equipamento de proteção pessoal adicional:

- Líquidos, vapor ou gases que podem causar danos na pele.
- Poluentes que podem ser absorvidos pela pele
- Radiação térmica
- Efeitos mecânicos
- Ambientes explosivos

2 MONTAGEM DO CILINDRO

UM CILINDRO

1. Verifique se a fivela da tira do cilindro está colocada o mais próximo possível do suporte traseiro. Coloque o cilindro no suporte traseiro. [Fig. 1]
2. Verifique a junta tórica de ligação e aparafuse manualmente a válvula do cilindro ao manifold. [Fig. 2]

NOTA! PARA OBTER INFORMAÇÕES SOBRE O ACOPLAMENTO RÁPIDO DO CILINDRO, CONSULTE A DE SEÇÃO OPÇÃO DE ACOPLAMENTO RÁPIDO DO CILINDRO

3. Aperte a tira do cilindro em torno do cilindro e prenda-a com a fivela [Fig. 3]. Ajuste o comprimento da tira, se necessário. [Fig. 4] Não aperte demasiado. Se a tira ficar demasiado apertada, a fivela e o suporte traseiro ficarão danificados.
4. Feche a alavanca da fivela [Fig. 5]. Certifique-se de que a aba de fixação bloqueou a alavanca na posição de fecho. [Fig. 6] (Para libertar a fivela do cilindro, tem de carregar para baixo a aba de fixação.)

DOIS CILINDROS

ATENÇÃO! AO UTILIZAR DOIS CILINDROS SEPARADOS, COM VÁLVULAS INDEPENDENTES, AMBOS OS CILINDROS TÊM DE SER CARREGADOS COM PRESSÕES DE FUNCIONAMENTO SEMELHANTES. ABRA SEMPRE AMBAS AS VÁLVULAS DO CILINDRO QUANDO PRESSURIZAR O APARELHO RESPIRATÓRIO E CERTIFIQUE-SE DE QUE AMBAS AS VÁLVULAS DO CILINDRO PERMANECEM ABERTAS DURANTE A UTILIZAÇÃO DO APARELHO.

1. Se a última utilização tiver sido apenas com um cilindro, comece por desprender a tira do cilindro das quatro anilhas no suporte traseiro [Fig. 7].
2. Verifique se a tira do cilindro está colocada com a fivela tão próxima quanto possível do suporte traseiro.
3. Se aplicável, monte o suporte da tira e o espaçador dos cilindros.
4. Verifique a junta tórica de ligação e aparafuse a peça em T ao manifold - Não aperte.
5. Coloque os cilindros no suporte traseiro, com o suporte da tira entre os cilindros. [Fig. 9] Certifique-se de que as mangueiras estão colocadas entre os cilindros e que não ficam comprimidas entre os cilindros e o suporte traseiro.
6. Verifique as juntas tóricas de ligação e aparafuse manualmente as válvulas do cilindro às ligações da peça em T. [Fig. 8]
7. Aparafuse manualmente a peça em T ao manifold.
8. Aperte a tira do cilindro em torno dos cilindros e prenda-a com a fivela [Fig. 3]. Ajuste o comprimento da tira, se necessário. [Fig. 4] Não aperte demasiado. Se a tira ficar demasiado apertada, a fivela e o suporte traseiro ficarão danificados.
9. Feche a alavanca da fivela [Fig. 5]. Certifique-se de que a aba de fixação bloqueou a alavanca na posição de fecho. [Fig. 6] (Para libertar a fivela do cilindro, tem de carregar para baixo a aba de fixação.)

CONJUNTO DE CILINDROS

Montagem

1. Coloque o conjunto de cilindros numa superfície plana com a válvula do cilindro voltada para si.
2. Verifique a junta tórica de ligação e aparafuse manualmente a válvula do cilindro ao manifold.
3. Encaixe os orifícios do suporte do cilindro nas anilhas guia e empurre o suporte traseiro até o arnês encaixar com um clique na posição correta. Certifique-se de que o conjunto de cilindros está bem montado, levantando o arnês cuidadosamente nos lados superior e inferior do suporte traseiro. [Fig. 10]

Desmontagem

1. Desaparafuse o manifold da válvula do cilindro.
2. Empurre o braço de fixação na parte superior do suporte do cilindro e, ao mesmo tempo, puxe o arnês para si.

OPÇÃO DE ACOPLAMENTO RÁPIDO DO CILINDRO

Ligar

Conecte o adaptador da válvula do cilindro ao regulador. Pressione até “encaixar” na válvula do cilindro. [Fig. 11].

Verifique se a conexão está travada corretamente, verificando se as superfícies estão alinhadas. [Fig. 12].

Desligar

Desconecte empurrando o anel do sistema de encaixe rápido para fora da válvula e removendo o cilindro. [Fig. 12 + 13].

NOTA! O EQUIPAMENTO EXISTENTE PODE SER ACTUALIZADO PARA ENGATE RÁPIDA DE GARRAFA.

3 AJUSTAR O ARNÊS

NOTA! QUANDO ESTIVER EM PÉ COM O APARELHO RESPIRATÓRIO COLOCADO, A MAIOR PARTE DO PESO DEVE SER SUPORTADA PELAS ANCAS E NÃO PELOS OMBROS.

Para ajustar a altura do cinto nas ancas, carregue nos botões vermelhos debaixo do cinto em simultâneo [Fig. 14 e 15] e deslize o cinto para cima ou para baixo até obter o tamanho correto. O arnês pode ser ajustado para quatro tamanhos diferentes. As indicações dos tamanhos estão disponíveis na parte da frente e na parte de trás do arnês.

4 COLOCAÇÃO

1. Ligue o tubo de respiração à válvula de respiração [Fig. 16].
2. Ligue a máscara e a válvula de respiração de acordo com as instruções no manual do utilizador da máscara.
3. Solte as alças e o cinto e coloque o aparelho.
4. Coloque a tira de pescoço sobre a cabeça.
5. Aperte a fivela do cinto [Fig. 17], certificando-se de que a maior parte do peso é suportada pela cintura e não pelos ombros.
6. Ajuste as alças [Fig. 18] e esconda quaisquer tiras soltas. Se aplicável, aperte a tira do peito e esconda quaisquer tiras soltas
7. Coloque a máscara de acordo com as instruções fornecidas no manual do utilizador da máscara.
8. Abra totalmente a válvula do cilindro.



ATENÇÃO: ABRA LA VÁLVULA DO CILINDRO TOTALMENTE PARA EVITAR INTERRUPÇÃO DO FLUXO DE AR QUANDO A PRESSÃO DO CILINDRO CAIR..

5 VERIFICAR ANTES DE UTILIZAR

1. Certifique-se de que o cilindro possui pressão suficiente.
2. Sustenha a respiração e certifique-se de que não ouve qualquer fluxo de ar.
3. Coloque dois dedos entre a extremidade de vedação e o rosto e certifique-se de que ouve um forte fluxo de ar [Fig. 19].

NOTA: ESTE TESTE NÃO É APLICÁVEL A VÁLVULAS DE RESPIRAÇÃO DE PRESSÃO NORMAL.

6 REMOVER O APARELHO

1. Desligue a pressão positiva e retire a máscara.
2. Feche a válvula do cilindro.

NOTA: PARA IMPEDIR O FECHO INVOLUNTÁRIO DA VÁLVULA DO CILINDRO, ALGUNS VOLANTES TÊM DE SER EMPURRADOS OU PUXADOS ANTES DE SEREM VIRADOS.

3. Desaperte a fivela do cinto e solte as alças.
4. Retire o aparelho e ative a pressão positiva para purgar o ar do sistema.

7 LIMPAR E DESINFETAR

1. Desligue a válvula de respiração da máscara facial. Não desconecte a mangueira de respiração da válvula de respiração.
2. Monte um tampão de lavagem na válvula de respiração e no apito..
3. Ao lavar o cilindro, use o acessório de tamponamento 32350-51 no manómetro da válvula do cilindro, se aplicável.

4. Abra a válvula do cilindro e verifique-se há pressão no sistema antes de limpar.

NOTA: TER A VÁLVULA DO CILINDRO ABERTA IMPEDE QUE A ÁGUA ENTRE NO SISTEMA E AS BOLHAS INDICARÃO QUALQUER FUGA NO SISTEMA.

5. Pulverize ou mergulhe o aparelho respiratório em água e solvente de limpeza. Use solvente de limpeza recomendado pela Interspiro, máx. 55 °C.
6. Limpe o aparelho com uma esponja ou escova.
7. Enxagúe o aparelho em água limpa, no máximo 60 °C.
8. Remova todos os tampões de lavagem do aparelho respiratório.
9. Feche a válvula do cilindro e ative a pressão positiva para limpar o ar do sistema.
10. Secar o aparelho, no máximo 60 °C.
11. Limpe e desinfete a máscara e a válvula de respiração de acordo com as instruções no manual do utilizador da máscara.

REMOÇÃO DE PEÇAS EM TECIDO

As peças em tecido podem ser removidas do suporte traseiro para lavagem em separado.

Desmontagem

1. Retire as mangueiras das alças. Abra as coberturas das mangueiras, desencaixando a extremidade curta dos fixadores de anel em D torcidos ou abrindo os botões de pressão.
2. Desencaixe a tira do cilindro.
3. Retire a fivela da tira do cilindro.
4. Retire a tira do cilindro do suporte traseiro e da alça.
5. Retire a alça do suporte traseiro. Levante a alça para ter acesso à extremidade dobrada da precinta. Rode a precinta dobrada para que passe pela ranhura no suporte traseiro e puxe/empurre através da ranhura [Fig. 20]. Repita o procedimento para a alça seguinte.
6. Remova o cinto nas ancas do suporte traseiro. Faça deslizar o cinto nas ancas para o tamanho "S" e empurre a ferramenta de desencaixe (32009-51) para a plataforma no suporte traseiro [Fig. 21]. Faça deslizar o conjunto do cinto nas ancas para cima e para fora do suporte traseiro com a ferramenta colocada.

Montagem

1. Coloque a fixação do cinto nas ancas na pista no suporte traseiro. Empurre as abas de ajuste do tamanho em conjunto e faça deslizar o cinto nas ancas para baixo na pista.
2. Monte a alça no suporte traseiro. Passe a precinta da alça pelas ranhuras no suporte traseiro. O batente dobrado na extremidade da alça deve estar nas cavidades do suporte traseiro [Fig. 20].
3. Monte a tira do cilindro do lado esquerdo, tal como é utilizada. Insira a tira do cilindro do interior do arnês, passando pela primeira ranhura no suporte traseiro à volta da trave e passando pela segunda ranhura. Passe a tira pelo suporte traseiro

da alça, pela ranhura (segunda do lado direito, tal como é utilizada), à volta da trave e pela ranhura (primeira do lado direito, tal como é utilizada) [Fig. 22].

4. Monte a fivela da tira do cilindro [Fig. 23].
5. Monte a tira do cilindro por baixo das quatro anilhas no suporte traseiro [Fig. 7].
6. Monte as mangueiras nas respetivas coberturas na alça.

8 ARMAZENAMENTO O TRANSPORTE

Conserve num ambiente fresco, seco e sem poeiras. Proteja as peças de borracha da ação direta da luz solar, da radiação UV e do calor direto. Quando a unidade do regulador não está ligada, a válvula do cilindro deverá ter sempre uma tampa de proteção.

Durante o transporte, o produto deve estar bem protegido dentro da embalagem original ou embalagem equivalente.

9 LIGAÇÃO DE AR EXTRA

Alguns modelos estão equipados com uma ligação de ar extra que pode ser utilizada para:

1. ligar a um sistema de ventilação de um fato de proteção química
2. ligar uma mangueira de salvamento entre dois aparelhos
3. ligar uma máscara extra
4. ligar a máscara de reanimação Revitox ou a proteção de evacuação para a cabeça EVAC
5. alimentar o aparelho a partir de uma fonte de ar externa

Ao tirar ar do aparelho (ponto 1-4 acima), o consumo de ar aumenta e a duração do aparelho diminui.

Ao tirar o ar do aparelho, é necessário utilizar um acoplamento fêmea especial com um dispositivo de abertura da válvula de retenção (ponto 1-4 acima). Este dispositivo abre a válvula de retenção na ligação macho do aparelho.

Ao alimentar o aparelho a partir de uma fonte de ar externa, este tipo de acoplamento fêmea não pode ser utilizado. Nesta aplicação, a válvula de retenção na ligação macho tem de poder ser fechada em caso de interrupção do fornecimento de ar da origem externa.

10 UTILIZAÇÃO COM SISTEMA DE AR

As instruções na Secção 1, Secção 2 - “Montagem do cilindro - um cilindro” e nas Secções 3 a 12 aplicam-se à utilização com o sistema de ar.

O tubo de fornecimento de ar está ligado ao acoplamento macho no manifold situado do lado direito (quando usado) do cinto.

Ao funcionar com ar fornecido através do tubo de ar, a válvula do cilindro no SCBA deve estar fechada.

Caso o fornecimento do tubo de ar seja interrompido, abra totalmente a válvula do cilindro do SCBA.

Depois de abrir a válvula do cilindro, o utilizador tem de abandonar imediatamente a zona de perigo. Desligue o tubo de ar, se necessário.

Com a válvula do cilindro aberta e utilizada em conjunto com um comutador automático entre o fornecimento de ar e o cilindro do SCBA, deve ter em atenção as seguintes instruções.

1. Leia e anote a leitura de pressão no manómetro de pressão do SCBA.
2. Ligue o acoplamento rápido do SCBA ao tubo de fornecimento de ar. A pressão mais elevada no tubo de ar deve desligar o fornecimento do SCBA.
3. Após dois minutos, leia novamente a pressão apresentada no manómetro. Durante o tempo decorrido, não deverá haver queda de pressão perceptível no manómetro. Esta verificação irá indicar que a pressão mais elevada no tubo de fornecimento de ar está a impedir que seja retirado ar do cilindro do SCBA.
4. Durante a utilização num ambiente perigoso, verifique periodicamente a pressão apresentada no manómetro e, se notar uma diminuição, interrompa a utilização. Desligue o tubo de ar e saia para uma zona segura, utilizando o conjunto de emergência como aparelho de evacuação.

11 MARCAÇÕES (FIG. 24)

RÓTULO COLOCADO NO SUPORTE TRASEIRO

- A. Fabricante
- B. Designação do modelo
- C. N.º de série
- D. Norma e classificação europeias
- E. Ano de fabrico

12. REVISÃO E MARCAÇÃO DE TESTES

A revisão e os testes devem ser realizados de acordo com a Revisão e marcação de testes 97307. Visite www.interspiro.com para consultar a revisão mais recente.

APÓS CADA UTILIZAÇÃO

1. Desligue a pressão positiva (se aplicável).
2. Abra totalmente a válvula do cilindro e leia o manómetro.
3. Feche a válvula do cilindro.
4. Certifique-se de que a pressão não baixa.
5. Diminua lentamente a pressão do cilindro e certifique-se de que o apito começa a emitir sinais sonoros aos 55±5 bar.



INTERSPIRO

Keeps You Breathing