



Keeps You Breathing

ENGLISH  
EESTI  
HRVATSKI  
POLSKI  
SRPSKI  
TÜRKÇE

# QS II BASIC MODEL

---

User Manual

31267F93

1



2



3



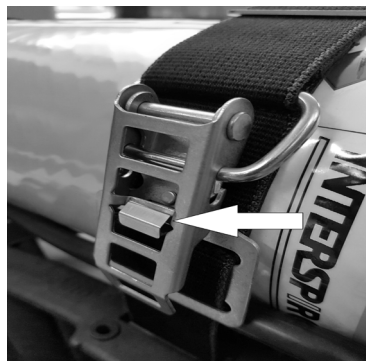
4



5



6



7



8



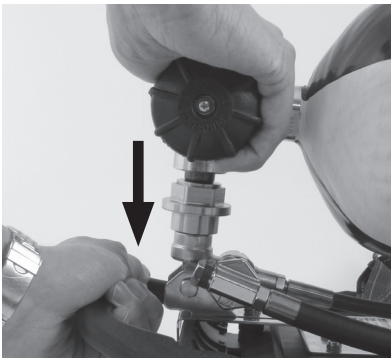
9



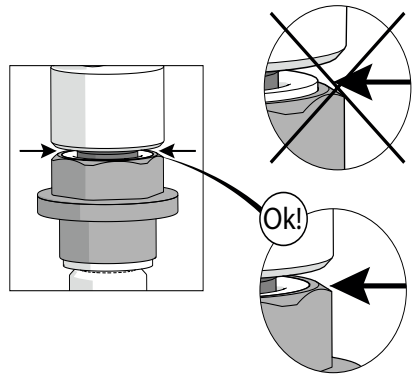
10



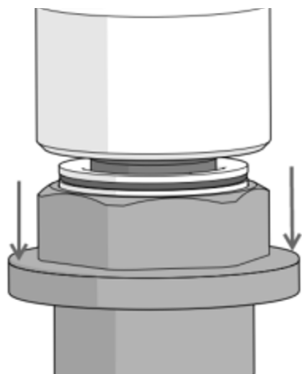
11



12



13



14



15



16



17



18



19



20



21



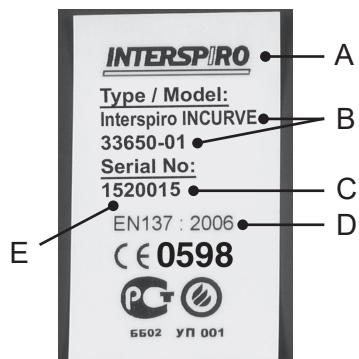
22



23



24



# TABLE OF CONTENTS - KASUTUSJUHEND - INSTRUKCJA UŻYTKOWANIA - KORISNIČKI PRIRUČNIK - KULLANIM KILAVUZU

## USER MANUAL - ENGLISH

1	SAFETY NOTICE .....	8
2	CYLINDER MOUNTING .....	10
3	ADJUSTING THE HARNESS .....	11
4	DONNING.....	11
5	CHECKING BEFORE USE .....	12
6	REMOVING THE APPARATUS.....	12
7	CLEANING AND DISINFECTING .....	12
8	STORAGE AND TRANSPORT .....	14
9	EXTRA AIR CONNECTION.....	14
10	USAGE WITH AIRLINE SYSTEM.....	14
11	MARKINGS .....	15
12	SERVICE AND TESTING SCHEDULE.....	15

## KASUTUSJUHEND - EESTI KEEL (ESTONIAN)

1	OHUSTEATIS.....	16
2	BALLOONI PAIGALDAMINE .....	18
3	RAKMETE REGULEERIMINE .....	19
4	SELGAPANEMINE .....	19
5	KASUTUSEELNE KONTROLL.....	20
6	SEADME EEMALDAMINE .....	20
7	PUHASTAMINE JA DESINFITSEERIMINE .....	20
8	HOIUSTAMINE JA TRANSPORT .....	22
9	LISAÕHU ÜHENDUS.....	22
10	KASUTAMINE KOOS VÄLISE ÕHUSÜSTEEMIGA.....	22
11	TÄHISED .....	23
12	HOOLDUS- JA TESTIMISGRAAFIK.....	23

## INSTRUKCJA OBSŁUGI - POLSKI (POLISH)

1	UWAGI DOTYCZĄCE BEZPIECZEŃSTWA.....	24
2	MONTAŻBUTLI .....	26
3	REGULACJA UPRZĘŻY .....	27
4	ZAKŁADANIE .....	27
5	KONTROLA PRZED UŻYCIEM .....	28
6	ZDEJMOWANIE APARATU.....	28
7	CZYSZCZENIE I DEZYNFEKCYJA.....	28
8	PRZECHOWYWANIE I TRANSPORT.....	30
9	DODATKOWE PRZYŁĄCZE POWIETRZA .....	30
10	UŻYTKOWANIE W UKŁADZIE Z LINIĄ POWIETRZNI .....	30
11	OZNACZENIA.....	31
12	HARMONOGRAM OBSŁUGI SERWISOWEJ I TESTÓW ....	31

## **KORISNIČKI PRIRUČNIK - HRVATSKI (CROATIAN)**

1	OBAVIJEST O SIGURNOSTI .....	32
2	MONTAŽA CILINDRA .....	34
3	PRILAGOĐAVANJE REMENJA .....	35
4	STAVLJANJE .....	35
5	PROVJERA PRIJE UPOTREBE .....	36
6	UKLANJANJE APARATA .....	36
7	ČIŠĆENJE I DEZINFEKCIJA .....	36
8	SKLADIŠTENJE I TRANSPORT .....	37
9	DODATNI ZRAČNI SPOJ .....	38
10	UPOTREBA SA ZRAČNIM SUSTAVOM .....	38
11	OZNAKE .....	39
12	RASPORED SERVISA I TESTIRANJA .....	39

## **KORISNIČKI PRIRUČNIK - SRPSKI (SERBIAN)**

1	OBAVEŠTENJE O BEZBEDNOSTI .....	40
2	MONTAŽA BOCE .....	42
3	PRILAGOĐAVANJE SAMARA .....	43
4	NAVLAČENJE OPREME .....	43
5	PROVERA PRE UPOTREBE .....	44
6	SKIDANJE APARATA .....	44
7	ČIŠĆENJE I DEZINFEKCIJA .....	44
8	SKLADIŠTENJE I TRANSPORT .....	46
9	DODATNI PRIKLJUČAK ZA VAZDUH .....	46
10	UPOTREBA SA SISTEMOM ZA DOVOD VAZDUHA .....	46
11	OZNAKE .....	47
12	RASPORED SERVISIRANJA I TESTIRANJA .....	47

## **KULLANIM KILAVUZU - TÜRKÇE (TURKISH)**

1	GÜVENLİK UYARISI .....	48
2	TÜP MONTAJI .....	50
3	KOŞUMU AYARLAMA .....	51
4	KUŞANMA .....	51
5	KULLANIM ÖNCESİ KONTROL .....	52
6	CİHAZI ÇIKARMA .....	52
7	TEMİZLİK VE DEZENFEKSİYON .....	52
8	DEPOLAMA VE NAKLİYE .....	54
9	EK HAVA BAĞLANTISI .....	54
10	HAVA HATTI SİSTEMİYLE KULLANIM .....	54
11	İŞARETLER .....	55
12	SERVİS VE TEST PROGRAMI .....	55

# QS II BASIC MODEL

## USER MANUAL - ENGLISH

---

This product, supplying breathing air to the user, has been tested in accordance with EN 137 Type 2, and is to be used according local regulations.

Manufacturer:

Interspiro AB

Box 2853, 18728 Täby, Sweden.

### 1 SAFETY NOTICE

The product must only be used with:



Interspiro cylinders:	Spirolite 3.4L or 6.7L Composite 6.8L or 9.0L Steel 4L or 6L
Interspiro full face masks:	Inspire-series Respire-series S-series Spiromatic-series



---

**ATTENTION!** BREATHING APPARATUS WITH TWIN CYLINDER CONFIGURATIONS: SPIROLITE 6.7L, COMPOSITE 6.8L (WITH ALU-LINER) AND STEEL CYLINDERS 4L OR 6L, EXCEEDS THE TOTAL WEIGHT LIMIT ACCORDING TO 6.6 IN EN 137:2006.

---



The product must only be used by personnel in good health and trained in the use of respiratory protective equipment. Individuals with beards or large sideburns may not obtain an adequate seal. The apparatus must be maintained, serviced and tested as described in this user manual, Interspiro service manuals and Interspiro test instructions.



---

**INTERSPIRO IS NOT RESPONSIBLE FOR**

- ❖ COMBINATIONS OF PRODUCTS, UNLESS PUT TO MARKET BY INTERSPIRO
  - ❖ CHANGES OR ADAPTATIONS MADE TO THE PRODUCT BY A THIRD PARTY
-



Changes to this document - necessitated by typographical errors, inaccuracies of current information or improvements and changes of equipment - may be made at any time without prior notice. Always refer to [www.interspiro.com](http://www.interspiro.com) for product updates, document updates and service bulletins. Exposure to extreme conditions may require other actions than described in this manual. The guarantees and warranties specified in the conditions of sale are not extended by this Safety Notice.



The breathing air with which the cylinders are charged must meet the requirements according to EN 12021, being free from oil, toxic substances and having low humidity.



The duration of a compressed air breathing apparatus depends on the volume of air in the compressed air cylinder(s) and the air consumption, which is specific to the wearer and affected by the work load. When taking air from the extra air connection, which some models are equipped with, the air consumption increases and the duration of the apparatus decreases.



When operating with two separate independently valved cylinders both cylinders must be charged with similar working pressures. Always open both cylinder valves when pressurizing the breathing apparatus and ensure that both cylinder valves are kept open during the use of the apparatus.



If the self contained breathing apparatus is to be used in conjunction with other personal protective equipment it is important to ensure that the additional personal protective equipment is compatible with the breathing apparatus and does not impair the full protection of the respiratory protective device.



Examples of dangers which may require the use of additional personal protective equipment:

- Liquids, steam or gases which can damage the skin.
- Pollutants absorptive by skin
- Thermal radiation
- Mechanical effects
- Explosive environments.

## 2 CYLINDER MOUNTING

### SINGLE CYLINDER

1. Check that the cylinder strap buckle is positioned as close to the backplate as possible. Place the cylinder on the backplate. [Fig. 1]
2. Check the connection O-ring and screw the cylinder valve hand tight to the cylinder connection of the manifold block. [Fig. 2]

---

**NOTE!** FOR CYLINDER QUICK COUPLING SEE SECTION CYLINDER QUICK COUPLING OPTION.

---

3. Fasten cylinder strap around the cylinder and hook together with the buckle [Fig. 3]. Adjust the length of the strap if needed. [Fig. 4] Do not over tighten. If the strap is over tightened the buckle and backplate will be damaged.
4. Close the lever on the buckle [Fig. 5]. Make sure that the locking tab has locked the lever in the closed position. [Fig. 6] (To release the cylinder buckle the locking tab must be pressed down.)

### TWIN CYLINDERS



---

**ATTENTION!** WHEN OPERATING WITH TWO SEPARATE INDEPENDENTLY VALVED CYLINDERS, BOTH CYLINDERS MUST BE CHARGED WITH SIMILAR WORKING PRESSURES. ALWAYS OPEN BOTH CYLINDER VALVES WHEN PRESSURISING THE BREATHING APPARATUS AND ENSURE THAT BOTH CYLINDER VALVES ARE KEPT OPEN DURING THE USE OF THE APPARATUS.

---

1. If previously used for single cylinder start by disengaging the cylinder strap from the four lugs on the backplate [Fig. 7].
2. Check that the cylinder strap is positioned with the buckle as close to the backplate as possible.
3. If applicable, mount the strap holder and the cylinder distance piece.
4. Check the connection O-ring and screw the T-piece to the cylinder connection of the manifold block - Do not tighten.
5. Place the cylinders on the backplate with the strap holder between the cylinders. [Fig. 9] Check that the hoses are positioned between the cylinders and not squeezed between the cylinders and backplate.
6. Check the connection O-rings and screw the cylinder valves hand tight to the cylinder connections of the T-piece. [Fig. 8]
7. Tighten the T-piece to the manifold block by hand.
8. Fasten the cylinder strap around the cylinders and hook together with the buckle [Fig. 3]. Adjust the length of the strap if needed. [Fig. 4] Do not over tighten. If the strap is over tightened the buckle and backplate will be damaged.
9. Close the lever on the buckle [Fig. 5]. Make sure that the locking tab has locked the lever in the closed position. [Fig. 6] (To release the cylinder buckle the locking tab must be pressed down.)

## **CYLINDER PACK**

### Mounting

1. Place the cylinder pack on a flat surface with the cylinder valve towards you.
2. Check the connection O-ring and screw the cylinder valve hand-tight to the cylinder connection of the manifold block.
3. Fit the holes of the cylinder bracket onto the guide washers and push the backplate away from you until the harness clicks in position. Check that the cylinder pack is mounted properly by lifting the harness carefully in the upper and lower part of the backplate. [Fig. 10]

### Dismounting

1. Unscrew the cylinder connection of the manifold block from the cylinder valve.
2. Push the locking arm on the upper part of cylinder bracket and pull the harness towards you at the same time.

## **CYLINDER QUICK COUPLING (OPTION)**

### Connection

Connect the cylinder valve adapter with the cylinder connection manifold. Press together until the manifold “clicks” into the cylinder valve. [Fig. 11]

Check that the connection is properly locked by checking that the surfaces are in line with each other. [Fig. 12]

### Disconnection

Disconnect by pressing the ring of the quick coupling away from the cylinder valve and removing the manifold. [Fig. 13]

---

**NOTE!** EXISTING EQUIPMENT CAN BE UPGRADED TO CYLINDER QUICK COUPLING.

---

## **3 ADJUSTING THE HARNESS**

---

**NOTE!** WHEN STANDING STRAIGHT WITH THE BREATHING APPARATUS DONNED THE MAJORITY OF THE WEIGHT SHALL BE CARRIED ON THE HIPS AND NOT THE SHOULDERS.

---

To adjust the height of the hip belt, push the red buttons under the hip belt together [Fig. 14 & 15] and slide the complete hip belt up or down to the correct size. The harness can be adjusted into four different sizes. Size indications are available on both the front and backside of the harness.

## **4 DONNING**

1. Connect the breathing hose to the breathing valve [Fig. 16].
2. Connect the face mask and breathing valve according to the instructions given in the user manual for the face mask.
3. Loosen the shoulder straps and the waist belt and put on the apparatus.
4. Place the neck strap over the head.

5. Fasten waist belt buckle and tighten [Fig. 17], ensuring the majority of the weight is carried on the waist and not the shoulders.
6. Adjust the shoulder straps [Fig. 18] and tuck in any loose straps. If applicable fasten the chest strap and tighten, tuck in any loose straps
7. Don the face mask according to the instructions given in the face mask user manual.
8. Open the cylinder valve fully.



**WARNING:** MAKE SURE TO OPEN THE CYLINDER VALVE FULLY TO ELIMINATE THE RISK FOR DISRUPTION OF THE AIR SUPPLY WHEN THE CYLINDER PRESSURE DROPS.

---

## 5 CHECKING BEFORE USE

1. Check that the cylinder has sufficient pressure.
2. Hold your breath and check that no airflow is heard.
3. Put two fingers between the sealing edge and face and check that a strong airflow is heard [Fig. 19].

---

**NOTE:** THIS TEST IS NOT APPLICABLE FOR NORMAL PRESSURE BREATHING VALVES.

---

## 6 REMOVING THE APPARATUS

1. Switch off the positive pressure and remove the face mask.
2. Close the cylinder valve.

---

**NOTE:** TO PREVENT UNINTENTIONAL CLOSING OF THE CYLINDER VALVE, SOME HAND WHEELS MUST BE PUSHED OR PULLED BEFORE THEY CAN BE TURNED.

---

3. Unfasten the waist belt buckle and loosen the shoulder straps.
4. Remove the apparatus and activate the positive pressure to purge air from the system.

## 7 CLEANING AND DISINFECTING

1. Disconnect the breathing valve from the face mask. Do not disconnect the breathing hose from the breathing valve.
2. Mount a wash plug on the breathing valve and on the whistle.
3. If applicable use wash plug 32350-51 on the cylinder valve pressure gauge.
4. Open the cylinder valve and check that there is pressure in the system before cleaning.

---

**NOTE:** HAVING THE CYLINDER VALVE OPEN PREVENTS WATER FROM ENTERING THE SYSTEM AND BUBBLES WILL INDICATE ANY LEAKS IN THE SYSTEM.

---

5. Spray on or submerge the breathing apparatus in water and cleaning solvent. Use cleaning solvent recommended by Interspiro, max. 55°C.
6. Clean the apparatus with a sponge or brush.
7. Rinse the apparatus in clean water, max 60°C.
8. Remove all wash plugs from the breathing apparatus.
9. Close the cylinder valve and activate positive pressure to purge air from the system.
10. Dry the apparatus, max. 60°C.
11. Clean and disinfect the face mask and breathing valve according to the instructions in the user manual for the face mask.

## **REMOVAL OF TEXTILE PARTS**

The textile parts can be removed from the back plate for separate wash.

### Dismounting

1. Remove hoses from shoulder straps. Open the hose covers by unhooking the short end of the twisted D-rings, or by opening the press-studs.
2. Unhook the cylinder strap.
3. Remove the cylinder strap buckle.
4. Remove the cylinder strap from the backplate and shoulder pad.
5. Remove the shoulder pad from the backplate. Lift the shoulder pad to reach the folded end of the webbing. Turn the folded webbing so that it fits through the slot in the backplate and pull/push it through the slot [Fig. 20]. Repeat the procedure for the next strap.
6. Remove the complete hip belt from backplate. Slide the hipbelt to size "S" and push the detachment tool (32009-51) into the track in the backplate [Fig. 21]. Slide the hipbelt assembly up and off the backplate while the tool is still in position.

### Mounting

1. Place the hip belt attachment into the track in the backplate. Push the size adjustment tabs together and slide the complete hip belt down in the track.
2. Mount the shoulder pad on the backplate. Put the webbing of the shoulder pad through the slots in the backplate. The folded stop in the end of each strap shall be in the cavities in the backplate [Fig. 20].
3. Mount the cylinder strap from the left side as worn. Insert the cylinder strap from the inside of the harness through the first slot in the backplate around the beam and through the second slot. Put it through the strap on the backside of the shoulder pad, through the slot (second from the right side as worn) and around the beam and through the slot (first from the right as worn) [Fig. 22].

4. Mount the cylinder strap buckle [Fig. 23].
5. Mount the cylinder strap under the four lugs on the backplate [Fig. 7].
6. Mount the hoses in the hose covers on the shoulder pad.

## 8 STORAGE AND TRANSPORT

Store in a cool, dry and dust-free environment. Protect rubber parts from direct sunlight, UV radiation and direct heat. When the regulator unit is not connected the cylinder valve shall always have a protective plug.

During transport the product must be well protected inside the original packaging material or equivalent packaging material.

## 9 EXTRA AIR CONNECTION

Some models are equipped with an extra air connection which can be used to:

1. connect to a chemical suit ventilation system
2. connect a rescue hose between two apparatus
3. connect an extra mask
4. connect the resuscitation mask Revitox or the EVAC evacuation hood
5. feed the apparatus from an external air source



When taking air from the apparatus, point 1-4 above, the air consumption increases and the duration of the apparatus decreases.



A special female coupling with a non-return valve opener must be used when taking air from the apparatus, point 1-4 above. This device opens the non-return valve in the male connection on the apparatus.



When feeding the apparatus from an external air source, this kind of female coupling must not be used. In this application, the non-return valve in the male connection must be able to close in case of disruption in air supply from the external source.

## 10 USAGE WITH AIRLINE SYSTEM

The instructions in Section 1, Section 2 - "Cylinder mounting - single cylinder" and Sections 3 - 12 apply to usage with airline system.

The airline supply hose is connected to the male coupling on manifold located on the right-hand side (as worn) of the waist belt.

When operating on supplied air from the airline hose, the cylinder valve on the SCBA should be closed.

Should the supply from the airline hose be disrupted, fully open the cylinder valve of the SCBA.

When the cylinder valve has been opened, the user must immediately leave the hazardous area. Disconnect the airline hose if necessary.

When operated with cylinder valve opened and used in conjunction with an automatic switch between the airline supply and SCBA cylinder, the following instructions should be observed.

1. Read and note the pressure reading on the pressure gauge of the SCBA.
2. Connect the quick coupling of the SCBA to the airline supply hose. The higher pressure in the supply hose should shut off the supply from the SCBA.
3. After two minutes, read the pressure displayed on the pressure gauge again. During the elapsed time, there should be no measureable drop in pressure on the gauge. This check will indicate that the higher pressure in the airline supply hose is preventing air from being taken from the SCBA cylinder.
4. During usage in the hazardous environment, periodically check the pressure displayed on the gauge and if a decrease is noted discontinue use. Disconnect the airline hose and exit to a safe area using the bail-out set as an escape apparatus.

## **11 MARKINGS (FIG. 24)**

### **LABEL LOCATED ON THE BACKPLATE**

- A. Manufacturer
- B. Model designation
- C. Serial number
- D. European standard and classification
- E. Year of manufacture

## **12 SERVICE AND TESTING SCHEDULE**

Service and testing shall be performed according to Service and testing schedule 97307. Visit [www.interspiro.com](http://www.interspiro.com) for latest revision.

### **AFTER EACH USE**

1. Switch off the positive pressure (if applicable).
2. Open the cylinder valve fully and read off the pressure gauge.
3. Close the cylinder valve.
4. Check that the pressure do not drop.
5. Decrease the cylinder pressure slowly and check that the whistle starts sounding at  $55\pm 5$  bar.

# QS II PÕHIMUDEL

## KASUTUSJUHEND - EESTI

See toode, hingamisõhu varustamine kasutajale, on testitud vastavalt EN 137 Tüüp 2 ja seda tuleb kasutada vastavalt kohalikele regulatsioonidele.

Tootja:

Interspiro AB

Box 2853, 18728 Täby, Sweden.

### 1 OHUTUSTEATIS

Toodet tohib kasutada ainult koos



Interspiro balloonidega Spirolite 3,4 l või 6,7 l,  
Composite 6,8 l või 9,0 l  
Steel 4 l või 6 l

Interspiro täisnäomaskid: seeria Inspire  
seeria Respire  
seeria S  
seeria Spiromatic



**TÄHELEPANU!** KAHE BALLOONI KONFIGURATSIOONIGA HINGAMISAPARAAT: SPIROLITE 6,7 LIITRINE, KOMPOSIITMATERJALIST 6,8-LIITRINE (ALU-LINER) VÕI 9,0-LIITRINE JA 4- VÕI 6-LIITRISED TERASBALLOONID ÜLETAVAD KOGUMASSI PIIRMÄÄRA VASTAVALT STANDARDI EN 137:2006 JAOTISELE 6.6.



Seda toodet tohivad kasutada ainult hea tervisega töötajad, kes on saanud väljaõppe hingamisteede kaitsevahendite kasutamiseks. Liiga suure habeme või põskhabeme korral ei pruugi mask saavutada näoga piisavalt tihedat ühendust. Seadet tuleb hooldada, remontida ja katsetada kooskõlas käesolevas kasutusjuhendis, Interspiro hooldusjuhendites ja Interspiro katsejuhendis kirjeldatuga.



#### INTERSPIRO EI VASTUTA

- ☒ TOOTEKOMBINATSIOONIDE EEST, MIDA POLE TURULE LASKNUD INTERSPIRO ISE
- ☒ TOOTE MUUDATUSTE JA KOHANDUSTE EEST, MILLE ON TEINUD KOLMAS ISIK

Käesolevas dokumendis võidakse igal ajal ja ilma ette teatamata teha muudatusi, mis on tingitud avastatud trükivigadest, praeguse teabe ebatäpsustest või seadmes tehtud parandustest ja muudatustest. Kõige uuemad tootevärskendused, dokumendivärskendused ja hooldustrükised leiata alati veebilehelt [www.interspiro.com](http://www.interspiro.com). Kokkupuute korral äärmuslike tingimustega võib olla vajalik selliste toimingute tegemine, mida käesolevas juhendis ei kirjeldata. See ohutusteatis ei pikenda ega laienda müügingimustes määratletud garantiisid ja tagatisi.





Hingamisõhk, millega ballooni laetud on, peab vastama EN12021 nõuetele, ei tohi sisaldada naftat ega toksilisi aineid ja peab olema madala niiskussisaldusega.



Suruõhu hingamisaparaadi vastupidavus sõltub õhu mahust suruõhuballooni(de) s ja õhu tarbimismäärast, mis on iga kasutaja puhul erinev ja sõltub töökoormusest. Kui õhku juhitakse läbi mõnele mudelile paigaldatud täiendava õhuühenduse, siis õhutarve suureneb ja seadme kasutusaeg väheneb.



Kahe, eraldi ventiilidega ballooni kasutamisel tuleb balloonides kasutada sarnast tööõhku. Kui hakkate hingamisaparaati rõhu alla viima, avage alati mõlemad ballooni ventiilid ja veenduge, et aparaadi kasutamise ajal oleksid mõlemad ballooni ventiilid avatud.



Kui autonoomset hingamisaparaati kasutatakse koos teiste isikukaitseseadmetega, tuleb tagada, et täiendavad isikukaitseseadmed sobivad hingamisaparaadiga koos kasutamiseks ega kahjusta hingamisteede kaitsevahendi täielikku kaitsevõimet.



Näited ohtudest, mille puhul võib olla vaja kasutada täiendavaid isikukaitseseadmeid:

- vedelikud, aur või gaasid, mis võivad nahka kahjustada.
- saasteained, mis võivad naha sisse imenduda
- soojuskiirgus
- mehaanilised mõjud
- plahvatusohtlik keskkond.

## 2 BALLOONI PAIGALDAMINE

### ÜKS BALLOON

1. Kontrollige, et ballooni rihma lukk asetseks võimalikult seljaplaadi lähedal. Asetage balloon seljaplaadile. [Joonis 1]
2. Kontrollige ühenduse O-rõngast ja kruvige ballooni ventiil jagaja ballooniühenduse külge. [Joon. 2]

---

**MÄRKUS!** BALLOONI KIIRHAAKESEADISE KOHTA LUGEGE VALIKULINE BALLOONIVENTILI KIIRÜHENDUS.

---

3. Kinnitage ballooni rihm ümber ballooni ja haakige pandlaga kokku [joon 3]. Vajadusel reguleerige rihma pikkust. [Joonis 4] Ärge pinguldage liiga tugevalt. Kui rihm on üle pingutatud, saavad lukk ja seljaplaat kahjustusi.
4. Sulgege pandla kate [joon. 5]. Veenduge, et pannal on lukustatud. [Joon. 6] (Ballooni luku vabastamiseks tuleb lukustuslaba alla suruda.)

### KAKS BALLOONI



---

**TÄHELEPANU!** KAHE, ERALDI VENTIILIDEGA BALLOONI KASUTAMISEL TULEB BALLOONIDES KASUTADA SARNAST TÖÖRÕHKU. KUI HAKKATE HINGAMISAPARAATI RÕHU ALLA VIIMA, AVAGE ALATI MÕLEMAD BALLOONI VENTIILID JA VEENDUGE, ET APARAADI KASUTAMISE AJAL OLEKSID MÕLEMAD BALLOONI VENTIILID AVATUD.

---

1. Kui varem kasutatakse seadet ühe ballooni, vabastage esmalt ballooni rihm seljaplaadi nelja kõrva küljest (joon. 7).
2. Kontrollige, et ballooni rihm ja pannal asetseksid võimalikult seljaplaadi lähedal.
3. Vajadusel paigaldage rihmahoidik ja ballooni vahetükk.
4. Kontrollige ühenduse O-rõngast ja kruvige T-liides jagaja ballooniühenduse külge - Ärge pinguldage.
5. Asetage ballooni seljaplaadile nii, et rihmahoidik jääks ballooni vahele. [Joon. 9] Kontrollige, et voolikud asetseksid ballooni vahel ja poleks pressitud ballooni ja seljaplaadi vahele.
6. Kontrollige ühenduse O-rõngast ja kruvige ballooni ventiilid käsitsi T-liite ballooniühenduste külge. [Joon. 8]
7. Kinnitage T-liides käsitsi jagaja külge.
8. Kinnitage ballooni rihm ümber ballooni ja haakige pandlaga kokku [joon. 3]. Vajadusel reguleerige rihma pikkust. [Joonis 4] Ärge pinguldage liiga tugevalt. Kui rihm on üle pingutatud, saavad lukk ja seljaplaat kahjustusi.
9. Sulgege pandla kate [joon. 5]. Veenduge, et pannal on lukustatud. [Joon. 6] (Ballooni luku vabastamiseks tuleb lukustuslaba alla suruda.)

## BALLOONIKOMPLEKT

### Paigaldus

1. Asetage ballooni komplekt tasasele pinnale nii, et ballooni ventiil oleksid suunatud teie poole.
2. Kontrollige ühenduse O-rõngast ja kruvige ballooni ventiil käsitsi jagaja ballooniühenduse külge.
3. Paigaldage ballooni hoidik aukudele ja suruge tagaplaat eemale, kuni rakmed on asendis. Veenduge, et ballooni komplekt oleks korralikult paigaldatud, tõstes tagaplaadi ja ülaosas ettevaatlikult rakmeid. [Joon. 10]

### Demontaaž

1. Keerake ballooni jagaja ballooni ventiili küljest lahti.
2. Lükake ballooni hoidiku ülemises osas asuvat lukustustelge ja tõmmake rakmeid samal ajal enda poole.

## VALIKULINE BALLOONIVENTIILI KIIRÜHENDUS

### Ühendamine

Ühenda ballooni ventiili adapter jagaja ühendusega. Lükake ballooni alla, kuni see "klõpsab" jagaja külge kinni. [Joon. 11]

Kontrolli, et ühendus on korrektselt lukustatud, veendudes, et ühendused on üksteise suhtes paralleelselt [Joon. 12].

### Lahtiühendamine

Lükake kiirühenduse rõngast seljaplaadi suunas. Tõstke ballooni eemale. [Joon. 13].

---

**MÄRKUS!** OLEMASOLEVAT VARUSTUST ON VÕIMALIK TÄIENDADA BALLOONIVENTIILI KIIRÜHENDUSTEGA.

---

## 3 RAKMETE REGULEERIMINE

---

**MÄRKUS!** KUI SEISATE HINGAMISAPARAADIGA SIRGELT, PEAB SUURIM RASKUS LANGEMA PUUSADELE MITTE ÕLGADELE.

---

Puusavöö kõrguse kohandamiseks lükake puusavööl olevaid punaseid nuppe kokkupoole [joon 14 ja 15] libistage kogu puusavööd üles või alla, et saavutada sobiv suurus. Rakmeid saab kohandada nelja erinevasse suurusesse. Suuruste viidad leiata nii rakmete esi- kui ka tagaküljel.

## 4 SELGAPANEMINE

1. Ühendage hingamisvoolik hingamisventiili külge [joon. 16].
2. Ühendage näomask ja hingamisventiil vastavalt näomaski kasutusjuhendis antud juhistele.
3. Vabastage õlarihmad ja vöö ning pange varustus selga.
4. Asetage kaelarihm üle pea.

5. Kinnitage vöörihma pannal ja tõmmake rihm pingule [joon. 17], veendudes, et suurem raskus langeks vöökohale mitte õlgadele.
6. Reguleerige õlarihmasid [joon. 18] ja torgake lahtised paelad sisse. Vajadusel kinnitage ja pinguldage rinnakinnitus ja torgake kõik lahtised otsad sisse.
7. Pange näomask näole, järgides näomaski kasutusjuhendis antud juhiseid.
8. Avage ballooni ventiil täielikult.



---

**MÄRKUS!** HOIATUS! VEENDU, ET BALLOONIVENTIIL ON LÕPUNI AVATUD VÄLTIKAS ÕHU PEALEVOOLU VÄHENEMISE OHTU KUI SURVE BALLOONIS VÄHENEK.

---

## 5 KASUTUSEELNE KONTROLL

1. Kontrollige, et balloonis oleks piisavalt suur rõhk.
2. Hoidke hinge kinni ja kontrollige, et kuuluvat õhuvoolu poleks.
3. Kontrollige, et kahe sõrme sisestamisel tihendiserva ja näo vahele [Joon. 19] oleks kuulda tugeva õhuvoolu häält.

---

**MÄRKUS.** SEDA TESTI EI KOHALDU NORMAALRÕHUGA HINGAMISVENTIILIDE PUHUL.

---

## 6 SEADME EEMALDAMINE

1. Lülitage ülerõhk välja ja eemaldage näomask.
2. Sulgege ballooni ventiil.

---

**MÄRKUS.** ET VÄLTIDA BALLOONI VENTIILI TAHTMATUT SULGEMIST, TULEB MÕNED KÄSIRATTAD SURUDA VÕI TÕMMATA, ENNE KUI NEID SAAB KEERATA.

---

3. Avage vöörihma pannal ja vabastage õlarihmad.
4. Eemaldage seade ja aktiveerige ülerõhk, et süsteem surve alt vabastada.

## 7 PUHASTAMINE JA DESINFITSEERIMINE

1. Eemaldage hingamisventiil näomaski küljest. Ärge hingamisvoolikut hingamisventiili küljest.
2. Paigalda pesukork hingamisventiilile ja hoiatusseadmele.
3. Suruõhuballooni pesemisel kasutage vajadusel pesukorki balloniventili manomeetril 32350-51.
4. Enne puhastamist avage ballooni ventiil ja kontrollige, et enne puhastamist oleks süsteemis rõhku.

---

**MÄRKUS.** SURVESTATUD SÜSTEEMI KORRAL ON TAGATU VEE MITTE SATTUMINE SÜSTEEMI JA MULLID ANNAVAD MÄRKU SÜSTEEMIS ESINEVATEST LEKETEST.

---

5. Pihustage puhastusvahend hingamisaparaadile või kastke hingamisaparaat vee ja puhastusvahendi segu sisse. Kasuta Interspiro poolt soovitatud puhastusvahendit, max 55 °C.
6. Puhastage seade käsnaga või harjaga.
7. Loputage seadet puhtas vees.
8. Eemaldage kõik hingamisaparaadi pesukorgid.
9. Sulgege ballooni ventiil ja aktiveerige ülerõhk, et süsteem süsteem surve alt vabastada.
10. Kuivatage seade kuni 60°C temperatuuril
11. Puhastage ja desinfitseerige näomask ja hingamisventiil vastavalt näomaski kasutusjuhendis antud juhistele.

## **TEKSTIILOSADE EEMALDAMINE**

Tekstiildetaile saab eemaldada seljaplaadilt ja eraldi puhastada.

### Demontaaž

1. Eemaldage õlarihmadelt voolikud. Avage voolikukatted, keerates väändunud D-rõngaste lühikest otsa või avades surutihvte.
2. Vabastage ballooni rihm.
3. Eemaldage ballooni rihma pannal.
4. Eemaldage ballooni rihm seljaplaadilt ja õlapadjalt.
5. Eemaldage õlapadi seljaplaadilt. Tõstke õlapatja, et pääseda linttroppide volditud otsa juurde. Pöörake volditud linttropid nii, et see mahub läbi seljaplaadil oleva pesa ja tõmmake/lükake see läbi pesa [joon. 20]. Korrake toimingut järgmise rihmaga.
6. Eemaldage kogu puusavöö tagaplaadilt. Libistage puusavöö suurusele "S" vastavasse asendisse ja lükake eraldusvahend (32009-51) tagaplaadi soone sisse [joon. 21]. Libistage puusavöö üles ja tagaplaadilt maha, hoides eraldusvahendit paigal.

### Paigaldus

1. Paigaldage puusavöö kinnitusdetail seljaplaadil oleva soone sisse. Lükake suuruse kohandamise labad kokku ja libistage kogu puusavöö radamööda allapoole.
2. Kinnitage õlapadi seljaplaadile. Asetage õlapadja lintropid läbi seljaplaadi avade. Mõlema rihma otsas asuv kokkumurtud stoppdetail tuleb paigaldada seljaplaadil olevatesse õõnsustesse [joon. 20].
3. Paigaldage ballooni rihm alates (kandmisasendist vaadates) vasakult küljelt. Kinnitage balloonirihm rakmete sisekülje kaudu läbi esimese seljaplaadi pesa, ümber lati ja läbi teise pesa. Asetage läbi õlapadja tagaosas asuva rihma, läbi ava (kandmisasendist vaadates paremalt teine) ja ümber lati ning läbi pesa (kandmisasendist vaadates paremalt esimene) [joon. 22].
4. Kinnitage ballooni rihma pannal [joon. 23].
5. Paigaldage ballooni rihm seljaplaadi nelja kõrva alla [joon. 7].
6. Paigaldage voolikud õlapadjal olevatesse voolikukaantesse.

## 8 HOIUSTAMINE JA TRANSPORT

Hoidke jahedas, kuivas ja tolmuvabas kohas. Kaitske kummist osi otsese päikesevalguse, UV-kiirguse ja otsese kuumuse eest. Ballooniventili peab olema alati kaitsesork kui see ei ole ühendatud aparaadiga.

Toote transportimisel kasuta toote originaalpakendit või samaväärset pakendimaterjali

## 9 LISAÕHU ÜHENDUS

Mõnel mudelil on täiendav lisaõhu ühendus, mida saab kasutada:

1. gaasikindla ülikonna ventilatsioonisüsteemiga ühendamiseks
2. varuooliku kahe aparaadi vahele ühendamiseks
3. lisamaski ühendamiseks
4. elustamismaski Revitox või evakueerimismaski EVAC ühendamiseks
5. seadme välisest õhuallikast toitmiseks



Kui õhku juhitakse läbi mõne punktides 1–4 kirjeldatud aparaadi, siis õhutarve suureneb ja seadme kasutusaeg väheneb.



Punktides 1–4 kirjeldatud aparaadist õhku võttes tuleb kasutada spetsiaalset, pealekeeratavat ühendusdetaili koos tagasilöögiklapi avamisseadmega. See seade avab tagasilöögiklapi aparaadi väliskeermega ühendusdetaili juures.



Seadme välise õhuallika kaudu söötmisel ei tohi sellist sisekeermega ühendusdetaili kasutada. Selle rakendusviisi puhul peab väliskeermega ühenduse tagasilöögiklapp sulguma, kui välise õhuallika õhuvoolus tekib katkestus.

## 10 KASUTAMINE KOOS VÄLISE ÕHUSÜSTEEMIGA

Juhised jaotistes 1 ja 2 – "Ballooniga paigaldamine – üks balloon" ja jaotistes 3–12 kehtivad kasutamiseks välise õhusüsteemiga.

Õhuliini toitevoolik ühendatakse "isase" kiirühendusega, mis asub puusavöö (kandmistasendist vaadates) parempoolsel küljel.

Õhuvooliku kaudu tuleva õhuga töötades peab ballooni ventiil suletud olema.

Kui õhuvooliku kaudu tulevas õhus tekib katkestus, avage ballooniventil täielikult.

Kui ballooni ventiil on avatud, peab kasutaja viivitamatult lahkuma ohtlikust piirkonnast. Vajadusel ühendage õhuvoolik lahti.

Kui töötate avatud ballooni ventiiliga ja kasutate õhuliini ja suruõhuhingamisaparaadi ballooni vahel automaatlüliti, peate järgima järgmisi juhiseid.

1. Lugege ja võtke arvesse suruõhuhingamisaparaadi manomeetri näitu.
2. Ühendage suruõhuhingamisaparaadi "isane" kiirühendus õhuhingamisvoolikuga. Suurem rõhk toitevoolikus peaks sulgema suruõhuhingamisaparaadist tuleva õhuvoolu.
3. Kahe minuti pärast kontrollige manomeetri. Selle aja jooksul ei tohiks rõhk märgatavalt muutuda. See kontroll viitab asjaolule, et õhuhingamisvoolik takistab õhuvõtmist suruõhuhingamisaparaadi balloonist.

4. Kui kasutate seadet ohtlikus keskkonnas, kontrollige regulaarselt manomeetri näitu ja, kui märkate rõhulangust, lõpetage kasutamine. Eemaldage õhuvoolik ja väljuge turvaalale, kasutades evakuatsioonivahendeid.

## 11 TÄHISED (JOON 24)

### ETIKETT ASUB SELJAPLAADIL

- A. Tootja
- B. Mudeli nimetus
- C. Seerianumber
- D. Euroopa standard ja klassifikatsioon
- E. Valmistamisaasta

## 12 HOOLDUS- JA TESTIMISGRAAFIK

Hooldustöid ja testimist teostatakse vastavalt hoolduse ja testimise graafikule 97307. Uusima versiooni leiate veebilehelt [www.interspiro.com](http://www.interspiro.com).

### PÄRAST IGA KASUTUSKORDA

1. Lülitage ülerõhk välja (vajadusel).
2. Avage ballooni ventiil täielikult ja kontrollige manomeetri näitu.
3. Sulgege ballooni ventiil.
4. Kontrollige, et rõhk ei langeks.
5. Vähendage rõhku süsteemis aeglaselt ja veenduge, et hakkate vilet kuulma umbes  $55 \pm 5$  baari suuruse rõhutaseme juures.

# QS II MODEL BASIC

## INSTRUKCJA UŻYTKOWANIA — POLSKI

Ten produkt dostarczający użytkownikowi powietrze do oddychania został przetestowany zgodnie z normą EN 137 Typ 2 i należy go stosować zgodnie z lokalnymi przepisami.

Producent:

Interspiro AB

Box 2853, 18728 Täby, Szwecja.

### 1 UWAGI DOTYCZĄCE BEZPIECZEŃSTWA

Produkt może być używany wyłącznie z następującymi elementami:



Butle Interspiro:

Spirolite 3,4 l lub 6,7 l

Butle kompozytowe 6,8 l lub 9,0 l

Butle stalowe 4 l lub 6 l

Maski pełnotwarzowe Interspiro:

Seria Inspire

Seria Respire

Seria S

Seria Spiromatic



**UWAGA!** APARAT ODDECHOWY W KONFIGURACJI Z DWIEMA BUTLAMI: SPIROLITE 6,7 L, BUTLAMI KOMPOZYTOWYMI 6,8 L LUB 9,0 L I BUTLAMI STALOWYMI 4 L LUB 6 L PRZEKRACZA LIMIT CAŁKOWITEGO OBCIĄŻENIA ZGODNIE Z PUNKTEM 6.6 NORMY EN 137:2006.



Produkt może być używany tylko przez osoby zdrowe i przeszkolone w zakresie użytkowania urządzeń oddechowych. W przypadku osób z brodą lub dużymi bokobrodami produkt może nie zapewniać odpowiedniego uszczelnienia.

Aparat należy utrzymywać, serwisować i testować w sposób opisany w niniejszej instrukcji użytkowania, instrukcjach serwisowych firmy Interspiro oraz instrukcjach wykonywania testów firmy Interspiro.



#### **FIRMA INTERSPIRO NIE POZNOSI ODPOWIEDZIALNOŚCI ZA**

❖ ŁĄCZENIE RÓŻNYCH PRODUKTÓW, CHYBA ŻE SĄ TO PRODUKTY FIRMY INTERSPIRO

❖ ZMIANY LUB ADAPTACJE DOKONANE W PRODUKCIE PRZEZ INNE PODMIOTY



W niniejszym dokumencie, w dowolnym momencie i bez uprzedniego powiadomienia, mogą zostać wprowadzone zmiany spowodowane koniecznością poprawy błędów typograficznych, doprecyzowania informacji lub wynikające z udoskonalień i zmian dokonanych w urządzeniu. Aktualne informacje na temat produktów i bieżące wersje dokumentów oraz biuletynów serwisowych są zawsze dostępne na stronie [www.interspiro.com](http://www.interspiro.com). Użytkowanie w ekstremalnych warunkach może wymagać wykonania czynności innych niż opisane w niniejszej instrukcji. Niniejsze uwagi dotyczące bezpieczeństwa nie rozszerzają zakresu gwarancji określonego w warunkach sprzedaży.





Przeznaczone do oddychania powietrze, którym są napełnione butle, musi spełniać wymagania normy EN 12021, być pozbawione olejów i substancji toksycznych oraz mieć niską wilgotność.



Czas pracy aparatu oddechowego zależy od objętości sprężonego powietrza w butli lub butlach oraz zużycia powietrza, które z kolei zależy od samego użytkownika i jego obciążenia pracą. Podczas pobierania powietrza z dodatkowego złącza powietrza, w które są wyposażone niektóre modele, zużycie powietrza wzrasta, a czas pracy aparatu ulega skróceniu.



Podczas pracy z dwiema oddzielnymi butlami wyposażonymi w niezależne zawory obie butle muszą być naładowane do podobnego ciśnienia roboczego. Podczas doprowadzania ciśnienia do aparatu oddechowego należy zawsze otwierać oba zawory butli i upewnić się, że pozostają one otwarte podczas użytkowania aparatu.



Jeśli autonomiczny aparat oddechowy ma być używany w połączeniu z innymi środkami ochrony osobistej, należy upewnić się, że dodatkowe środki ochrony osobistej są zgodne z aparatem i nie powodują pogorszenia jego funkcji pełnej ochrony dróg oddechowych.

Przykładowe zagrożenia, które mogą wymagać stosowania dodatkowych środków ochrony osobistej:

- płyny, pary lub gazy mogące powodować uszkodzenia skóry
- zanieczyszczenia wchłaniane przez skórę
- promieniowanie termiczne
- bodźce mechaniczne
- środowiska zagrożone wybuchem.

## 2 MONTAŻ BUTLI

### POJEDYNCZA BUTLA

1. Sprawdzić, czy klamra pasa butli jest ustawiona możliwie najbliżej płyty. Umieścić butlę na płycie [rys. 1].
2. Sprawdzić pierścień O-ring złącza i ręcznie dokręcić zawór butli do złącza butli w bloku manifoldu [rys. 2].

---

**UWAGA!** SZYBKOZŁĄCZE DO BUTLI PATRZ SEKCJA OPCJONALNE SZYBKOZŁĄCZE DO BUTLI.

---

3. Przełożyć pas butli wokół butli i spiąć go klamrą [rys. 3]. W razie konieczności dostosować długość pasa [rys. 4]. Nie naprężać zbyt mocno. Zbyt mocne naprężenie pasa może spowodować uszkodzenie klamry i płyty.
4. Zamknąć dźwignię na klamrze [rys. 5]. Upewnić się, że dźwignia została zablokowana w położeniu zamkniętym przez występ blokujący [rys. 6] (w celu zwolnienia klamry butli występ blokujący musi zostać wciśnięty).

### DWIE BUTLE



---

**UWAGA!** PODCZAS PRACY Z DWIEMA ODDZIELNYMI BUTLAMI WYPOSAŻONYMI W NIEZALEŻNE ZAWORY OBIE BUTLE MUSZĄ BYĆ NAŁADOWANE DO PODOBNEGO CIŚNIENIA ROBOCZEGO. PODCZAS DOPROWADZANIA CIŚNIENIA DO APARATU ODDECHOWEGO NALEŻY ZAWSZE OTWIERAĆ OBA ZAWORY BUTLI I UPEWNIĆ SIĘ, ŻE POZOSTAJĄ ONE OTWARTE PODCZAS UŻYTKOWANIA APARATU.

---

1. Jeśli urządzenie było używane wcześniej z jedną butlą, zacząć od odłączenia pasa butli od czterech zaczepów na płycie [rys. 7].
2. Sprawdzić, czy pas butli jest ustawiony tak, aby klamra znajdowała się jak najbliżej płyty.
3. Jeśli ma to zastosowanie, zamontować uchwyt pasa oraz element dystansowy butli.
4. Sprawdzić pierścień O-ring złącza i wkręcić trójnik do złącza butli w bloku manifoldu — jeszcze nie dokręcać.
5. Ustawić butle na płycie, umieszczając uchwyt pasa między butlami [rys. 9]. Sprawdzić, czy węże są ułożone między butlami i nie są ściśnięte między butlami a płytą.
6. Sprawdzić pierścień O-ring złącza i ręcznie dokręcić zawory butli do złącza butli w trójniku [rys. 8].
7. Ręcznie dokręcić trójnik do bloku manifoldu.
8. Przełożyć pas butli wokół butli i spiąć go klamrą [rys. 3]. W razie konieczności dostosować długość pasa [rys. 4]. Nie naprężać zbyt mocno. Zbyt mocne naprężenie pasa może spowodować uszkodzenie klamry i płyty.
9. Zamknąć dźwignię na klamrze [rys. 5]. Upewnić się, że dźwignia została zablokowana w położeniu zamkniętym przez występ blokujący [rys. 6] (w celu zwolnienia klamry butli występ blokujący musi zostać wciśnięty).

## ZESTAW BUTLI

### Montaż

1. Umieścić zestaw butli na płaskiej powierzchni zaworem butli skierowanym w swoją stronę.
2. Sprawdzić pierścień O-ring złącza i ręcznie dokręcić zawór butli do złącza butli w bloku manifoldu.
3. Dopasować otwory we wsporniku butli do podkładek prowadzących i przesunąć płytę w kierunku od siebie, aż uprzęż zatrzaśnie się we właściwym położeniu. Upewnić się, że zestaw butli jest prawidłowo zamontowany, podnosząc ostrożnie uprzęż w górnej i dolnej części płyty [rys. 10].

### Demontaż

1. Odkręcić złącze butli w bloku manifoldu od zaworu butli.
2. Wcisnąć ramię blokujące w górnej części wspornika butli i jednocześnie pociągnąć uprzęż do siebie.

## OPCJONALNE SZYBKOZŁĄCZE DO BUTLI

### Podłączanie

Wyrównać adapter w zaworze butli ze złączem w bloku manifoldu. Ścisnąć razem, aż kolektor „kliknie” w zawór butli. [rys. 11]

Sprawdź, czy połączenie jest prawidłowo zablokowane, sprawdzając, czy powierzchnie są ze sobą zgodne. [rys. 12]

### Rozłączanie

Odtńczyć, naciskając pierścień szybkozłącza od zaworu butli i wyjmując kolektor. [rys. 13]

---

**UWAGA!** ISTNIĄCE URZĄDZENIE MOŻE BYĆ ULEPSZONE DO SZYBKOZŁĄCZE DO BUTLI.

---

## 3 REGULACJA UPRZĘŻY

---

**UWAGA!** GDY UŻYTKOWNIK STOI W POZYCJI WYPROSTOWANEJ Z ZAŁOŻONYM APARATEM ODDECHOWYM, WIĘKSZOŚĆ OBCIĄŻENIA POWINNA SPOCZYWAĆ NA BIODRACH, A NIE NA RAMIONACH.

---

W celu wyregulowania wysokości pasa biodrowego należy wcisnąć czerwone przyciski pod pasem biodrowym [rys. 14 i 15], a następnie przesunąć cały pas biodrowy w górę lub w dół do odpowiedniego położenia. Dostępne są cztery ustawienia regulacji rozmiaru uprzęży. Oznaczenia rozmiaru znajdują się zarówno na przedniej, jak i na tylnej stronie uprzęży.

## 4 ZAKŁADANIE

1. Podłączyć wąż oddechowy do zaworu oddechowego [rys. 16].
2. Połączyć maskę i zawór oddechowy zgodnie z instrukcjami podanymi w instrukcji użytkownika maski.
3. Poluzować pasy naramienne oraz pas biodrowy i założyć aparat.

4. Przełożyć pasek pod brodę przez głowę.
5. Zapiąć klamrę pasa biodrowego i zacisnąć pas [rys. 17], aby większość obciążenia spoczywała na biodrach, a nie na ramionach.
6. Wyregulować pasy naramienne [rys. 18] i poutykać wszelkie luźne końcówki pasów. Jeśli ma to zastosowanie, zapiąć i zacisnąć pas piersiowy oraz poutykać wszelkie luźne końcówki pasów.
7. Założyć maskę zgodnie z instrukcjami podanymi w instrukcji użytkowania maski.
8. Otworzyć całkowicie zawór butli.



---

**UWAGA!** UPEWNIJ SIĘ, ŻE CAŁKOWICIE OTWÓRZ ZAWÓR SIĘLOWNIKA W CELU WYKLUCZENIA RYZYKA ZAKŁÓCENIA ZASILANIA POWIETRZEM PODCZAS SPADKU CIŚNIENIA CYLINDRÓW.

---

## 5 KONTROLA PRZED UŻYCIEM

1. Sprawdzić, czy w butli jest wystarczające ciśnienie.
2. Wstrzymać oddech i upewnić się, że nie słychać przepływu powietrza.
3. Wsunąć dwa palce między krawędź uszczelniającą a twarz i upewnić się, że słychać silny przepływ powietrza [rys. 19].

---

**UWAGA:** TEN TEST NIE MA ZASTOSOWANIA W PRZYPADKU ZAWORÓW ODDECHOWYCH O NORMALNYM CIŚNIENIU.

---

## 6 ZDEJMOWANIE APARATU

1. Wyłączyć nadciśnienie i zdjąć maskę.
2. Zamknąć zawór butli.

---

**UWAGA:** W CELU UNIKNIĘCIA NIEZAMIERZONEGO ZAMKNIĘCIA ZAWORU BUTLI NIEKTÓRE POKRĘTŁA MUSZĄ ZOSTAĆ WCIŚNIĘTE LUB WYCIĄGNIĘTE, ABY DAŁO SIĘ JE OBRÓCIĆ.

---

3. Odpiąć klamrę pasa biodrowego i poluzować pasy naramienne.
4. Zdjąć aparat i wyłączyć nadciśnienie, aby usunąć powietrze z układu.

## 7 CZYSZCZENIE I DEZYNFEKCYJA

1. Odłączyć zawór oddechowy od maski. Nie odłączać węża oddechowego od zaworu oddechowego.
2. Zamontować korek myjący na zawór oddechowy i na gwizdku.
3. Podczas mycia butli używać zatyczki do mycia 32350-51 na manometrze zaworu butli, jeśli ma to zastosowanie.
4. Przed przystąpieniem do czyszczenia otworzyć zawór butli i sprawdzić, czy w układzie jest ciśnienie.

---

**UWAGA:** OTWARCIE ZAWORU BUTLI ZAPOBIEGA PRZEDOSTANIU SIĘ WODY DO UKŁADU, NATOMIAST EWENTUALNE TWORZENIE SIĘ PĘCHERZYKÓW POZWOLI WYKRZYĆ WSZELKIE NIESZCZELNOŚCI W UKŁADZIE.

---

5. Spryskać wodą lub zanurzyć aparat oddechowy w wodzie z dodatkiem rozpuszczalnika czyszczącego. Użyj rozpuszczalnika do czyszczenia zalecanego przez Interspiro, max. 55° C.
6. Czyścić aparat gąbką lub szczotką.
7. Wypłukać aparat czystą wodą, max. 60° C.
8. Zdjąć z aparatu oddechowego wszystkie zatyczki do mycia.
9. Zamknąć zawór butli i włączyć nadciśnienie, aby usunąć powietrze z układu.
10. Wysuszyć aparat w temperaturze do maks. 60°C.
11. Wyczyścić i zdezynfekować maskę oraz zawór oddechowy zgodnie z instrukcjami podanymi w instrukcji użytkowania maski.

## **DEMONTAŻ CZĘŚCI TEKSTYLNICH**

Części tekstylne można zdjąć z płyty w celu oddzielnego ich wyprania.

### Demontaż

1. Zdjąć węże z naramienników. Otworzyć osłony węży, odłączając krótszy koniec zakrzywionych D-ringów lub rozłączając kołki wciskane.
2. Odłączyć pas butli.
3. Wymontować klamrę pasa butli.
4. Wyjąć pas butli z płyty i z naramiennika.
5. Zdjąć naramiennik z płyty. Podnieść naramiennik, aby uzyskać dostęp do złożonego końca taśmy. Obrócić złożoną taśmę tak, aby dopasować ją do szczeliny w płycie, a następnie przeciągnąć ją przez tę szczelinę [rys. 20]. Powtórzyć procedurę dla kolejnego pasa.
6. Zdjąć cały pas biodrowy z płyty. Przesunąć pas biodrowy do rozmiaru „S” i wcisnąć narzędzie do rozłączania (32009-51) w szynę w płycie [rys. 21]. Utrzymując narzędzie w tym samym położeniu, przesunąć zespół pasa biodrowego do góry i zdjąć go z płyty.

### Montaż

1. Umieścić mocowanie pasa biodrowego w szynie na płycie tylnej. Docisnąć do siebie występy regulacji rozmiaru i przesunąć kompletny pas biodrowy w dół szyny.
2. Zamontować naramiennik na płycie. Przeciągnąć taśmy naramiennika przez szczeliny w płycie. Złożone zakończenia na końcu każdego z pasów powinny znaleźć się w zagłębieniach w płycie [rys. 20].
3. Zamontować pas butli z lewej strony (przy orientacji jak po założeniu urządzenia). Wsunąć pas butli od środka upręży przez pierwszą szczelinę w płycie, wokół drążka, a następnie przez drugą szczelinę. Przełożyć ten pas przez pas z tyłu naramiennika, przez szczelinę (drugą od prawej strony, przy orientacji jak po założeniu urządzenia), wokół drążka i przez szczelinę (pierwszą od prawej strony, przy orientacji jak po założeniu urządzenia) [rys. 22].
4. Zamontować klamrę pasa butli [rys. 23].
5. Zamontować pas butli pod czterema występami na płycie [rys. 7].
6. Zamontować węże w osłonach węży na naramienniku.

## 8 PRZECHOWYWANIE I TRANSPORT

Przechowywać w chłodnym, suchym miejscu, chronić przed kurzem i pyłem. Chronić części gumowe przed bezpośrednim działaniem promieni słonecznych, promieniowaniem ultrafioletowym oraz wysoką temperaturą. Gdy moduł regulatora nie jest podłączony, zawór butli powinien mieć zawsze założoną zatyczkę ochronną. Podczas transportu produkt musi być dobrze chroniony wewnątrz oryginalnego opakowania lub równoważnego opakowania.

## 9 DODATKOWE PRZYŁĄCZE POWIETRZA

Niektóre modele są wyposażone w dodatkowe przyłącze powietrza, które może być używane do następujących celów:

1. Podłączenie do układu wentylacji kombinezonu chemicznego
2. Połączenie dwóch aparatów wężem ratunkowym
3. Podłączenie dodatkowej maski
4. Podłączenie maski resuscytacyjnej Revitox lub kaptura ewakuacyjnego EVAC
5. Zasilanie aparatu z zewnętrznego źródła powietrza



Podczas pobierania powietrza z aparatu (punkty 1–4 powyżej) zużycie powietrza wzrasta, a czas pracy aparatu ulega skróceniu.



Do pobierania powietrza z aparatu (punkty 1–4 powyżej) należy używać specjalnego złącza żeńskiego wyposażonego w otwieracz zaworu zwrotnego. Urządzenie to otwiera zawór zwrotny w złączu męskim znajdującym się w aparacie.



W przypadku zasilania aparatu z zewnętrznego źródła powietrza nie wolno używać tego rodzaju złącza żeńskiego. W takiej konfiguracji zawór zwrotny w złączu męskim musi mieć możliwość zamknięcia się w razie przerwania zasilania powietrzem ze źródła zewnętrznego.

## 10 UŻYTKOWANIE W UKŁADZIE Z LINIĄ POWIETRZNĄ

Instrukcje opisane w rozdziale 1, rozdziale 2 – „Montaż butli – pojedyncza butla” oraz rozdziałach 3–12 dotyczą użytkowania urządzenia w układzie z linią powietrzną.

Wąż zasilający linii powietrznej jest podłączany do złącza męskiego w manifoldzie po prawej stronie pasa biodrowego (przy orientacji jak po założeniu urządzenia).

Podczas pracy z zasilaniem z węża linii powietrznej zawór butli w aparacie oddechowym SCBA powinien być zamknięty.

W przypadku przerwania zasilania z węża linii powietrznej należy całkowicie otworzyć zawór butli w aparacie oddechowym SCBA.

W przypadku otwarcia zaworu butli użytkownik musi natychmiast opuścić obszar zagrożenia. W razie konieczności należy odłączyć wąż linii powietrznej.

Podczas użytkowania z otwartym zaworem butli oraz w połączeniu z automatycznym przełącznikiem między zasilaniem z linii powietrznej a butlą aparatu oddechowego SCBA należy przestrzegać następujących instrukcji.

1. Odczytać i zanotować wartość ciśnienia na manometrze aparatu oddechowego SCBA.
2. Podłączyć szybkozłączę aparatu oddechowego SCBA do węża zasilającego linii powietrznej. Wyższe ciśnienie w wężu zasilającym powinno spowodować odłączenie zasilania z aparatu oddechowego SCBA.
3. Po dwóch minutach ponownie odczytać ciśnienie na manometrze. W tym czasie nie powinien nastąpić zauważalny spadek ciśnienia na manometrze. Pozwala to upewnić się, że wyższe ciśnienie w wężu zasilającym linii powietrznej zapobiega pobieraniu powietrza z butli aparatu oddechowego SCBA.
4. Podczas użytkowania w niebezpiecznym środowisku należy okresowo sprawdzać ciśnienie wskazywane przez wskaźnik i w przypadku stwierdzenia spadku ciśnienia przerwać użytkowanie urządzenia. Odłączyć wąż linii powietrznej i wycofać się do obszaru bezpiecznego, korzystając z systemu awaryjnego (bailout) jako aparatu ucieczkowego.

## 11 OZNACZENIA (RYS. 24)

### ETYKIETA UMIESZCZONA NA PĘCIE

- A. Producent
- B. Oznaczenie modelu
- C. Numer seryjny
- D. Norma europejska i klasyfikacja
- E. Rok produkcji

## 12 HARMONOGRAM OBSŁUGI SERWISOWEJ I TESTÓW

Obsługę serwisową i testy należy wykonywać zgodnie z Harmonogramem obsługi serwisowej i testów 97307. Najnowsza wersja dokumentu jest dostępna na stronie [www.interspiro.com](http://www.interspiro.com).

### PO KAŻDYM UŻYCIU

1. Wyłączyć nadciśnienie (jeśli ma to zastosowanie).
2. Otworzyć całkowicie zawór butli i odczytać wskazanie na manometrze.
3. Zamknąć zawór butli.
4. Upewnić się, że ciśnienie nie spada.
5. Powoli zmniejszać ciśnienie w butli i upewnić się, że gwizdek zaczyna wydawać dźwięk przy ciśnieniu  $55 \pm 5$  barów.

# QS II OSNOVNI MODEL

## KORISNIČKI PRIRUČNIK - HRVATSKI

Ovaj je proizvod, koji korisniku isporučuje zrak za disanje, ispitan u skladu s EN 137 Type 2 i treba ga koristiti u skladu s lokalnim propisima.

Proizvođač:

Interspiro AB

Kutija 2853, 18728 Täby, Švedska.

### 1 OBAVIJEST O SIGURNOSTI

Proizvod se mora upotrebljavati samo s:



Cilindri Interspiro: Spirolite 3,4 l ili 6,7 l  
Kompozitni 6,8 l ili 9,0 l  
Čelični 4 l ili 6 l

Interspiro maske za cijelo lice: Serija Inspire  
Serija Respire  
Serija S  
Serija Spiromatic



**PAŽNJA!** APARAT ZA DISANJE S KONFIGURACIJAMA DVOSTRUKIH CILINDARA: SPIROLITE 6,7 L, KOMPOZITNI 6,8 L ILI 9,0 L I ČELIČNI CILINDRI 4 L ILI 6 L, PRELAZE UKUPNO OGRANIČENJE TEŽINE PREMA TOČKI 6.6 NORME EN 137:2006.



Proizvod smije upotrebljavati samo osoblje koje je dobrog zdravlja i koje je osposobljeno za upotrebu zaštitne opreme za disanje. Pojedinci s bradama ili velikim zaliscima možda neće postići pravilno zabrtvljenje. Aparat se mora održavati, servisirati i testirati kako je opisano u ovom korisničkom priručniku, servisnim priručnicima Interspiro i testnim uputama Interspiro.



#### **INTERSPIRO NIJE ODGOVORAN ZA**

- KOMBINACIJE PROIZVODA, OSIM AKO IH INTERSPIRO NE STAVLJA NA TRŽIŠTE
- PROMJENE ILI PRILAGODBE PROIZVODA KOJE JE NAPRAVILA TREĆA STRANA



Promjene ovoga dokumenta – potrebne zbog tipografskih pogreški, netočnosti trenutnih informacija ili poboljšanja i promjene opreme – mogu se povremeno raditi bez prethodne obavijesti. Na stranici [www.interspiro.com](http://www.interspiro.com) možete pronaći novosti o proizvodu, ažurirane dokumente i servisne biltene. Pri izlaganju ekstremnim uvjetima možda će biti potrebne druge radnje od onih opisanih u ovom priručniku. Jamstva navedena u uvjetima prodaje nisu proširena ovom Obavijesti o sigurnosti.

Zrak za disanje kojim su cilindri napunjeni mora odgovarati zahtjevima prema EN





12021, i mora biti bez ulja i toksičnih tvari te mora imati nisku vlažnost.

Trajanje aparata za disanje s komprimiranim zrakom ovisi o količini zraka u cilindru/ima s komprimiranim zrakom i potrošnji zraka, koja je specifična za nosioca i na koju utječe opseg posla. Kada se zrak uzima iz dodatnog spoja za zrak, kojim su neki modeli opremljeni, potrošnja se zraka povećava i trajanje se aparata smanji.



Kada rukujete dvama odvojenim cilindrima s neovisnim ventilima, oba se cilindra moraju puniti sličnim radnim tlakovima. Uvijek otvorite oba cilindra kada aparat za disanje stavljate pod tlak i pobrinite se da su oba ventila cilindra otvorena tijekom upotrebe aparata.



Ako se autonomni aparat za disanje treba upotrebljavati u kombinaciji s drugom osobnom zaštitnom opremom, važno je pobriniti se da je dodatna osobna zaštitna oprema kompatibilna s aparatom za disanje i da ne ometa punu zaštitu zaštitnog uređaja za disanje.



Primjeri opasnosti za koje bi mogla biti potrebna upotreba dodatne osobne zaštitne opreme:

- tekućine, para ili plinovi koji mogu oštetiti kožu
- onečišćivači koji se mogu upiti kroz kožu
- toplinsko zračenje
- mehanički učinci
- eksplozivne okoline.

## 2 MONTAŽA CILINDRA

### POJEDINAČNI CILINDAR

1. Provjerite da je kopča pojasa cilindra namještena što je bliže moguće nosivoj ploči. Stavite cilindar na nosivu ploču. [sl. 1]
2. Provjerite spojni o-prsten i zavijte ventil cilindra rukom čvrsto na spoj cilindra na bloku razdjelnika. [sl. 2]

---

**NAPOMENA!** ZA BRZOG SPAJANJA CILINDRA POGLAVLJE SEKCIJA OPCIJA BRZOG SPAJANJA CILINDRA.

---

3. Učvrstite pojas cilindra oko cilindra i zakvačite zajedno kopčom [sl. 3]. Po potrebi prilagodite duljinu pojasa. [sl. 4] Nemojte previše zategnuti. Ako je pojas previše zategnut, oštetit će se kopča i nosiva ploča.
4. Zatvorite polugu na kopči [sl. 5]. Pobrinite se da je jezičac za zaključavanje zaključao polugu u zatvoreni položaj. [sl. 6] (Da biste otpustili kopču cilindra, jezičac za zaključavanje mora se pritisnuti dolje.)

### DVOSTRUKI CILINDRI



---

**PAŽNJA!** PRI RUKOVANJU S DVA ZASEBNA CILINDRA S NEOVISNIM VENTILIMA, OBA CILINDRA MORAJU SE PUNITI SLIČNIM RADNIM TLAKOVIMA. UVIJEK OTVORITE OBA VENTILA CILINDRA KADA APARAT ZA DISANJE STAVLJATE POD TLAK I POBRINITE SE DA SU OBA VENTILA CILINDRA OTVORENA PRI UPOTREBI APARATA.

---

1. Ako je prethodno korišteno za pojedinačni cilindar, počnite s odspajanjem pojasa cilindra s četiri uške na nosivoj ploči [sl. 7].
2. Provjerite da je pojas cilindra namješten kopčom što je moguće bliže nosivoj ploči.
3. Ako je primjenjivo, montirajte držač pojasa i odstojnik cilindra.
4. Provjerite spoj o-prstena i zavijte T-komad u spoj cilindra na bloku razdjelnika – nemojte zatezati.
5. Stavite cilindre na nosivu ploču držačem pojasa između cilindra. [sl. 9] Provjerite da su crijeva namještena između cilindra i da se ne stišću između cilindra i nosive ploče.
6. Provjerite spojne o-prstene i zavijte ventile cilindra rukom čvrsto na spojeve cilindra T-komada. [sl. 8]
7. T-komad ručno učvrstite na blok razdjelnika.
8. Učvrstite pojas cilindra oko cilindra i zajedno ih zakvačite kopčom [sl. 3]. Po potrebi prilagodite duljinu pojasa. [sl. 4] Nemojte previše zategnuti. Ako je pojas previše zategnut, oštetit će se kopča i nosiva ploča.
9. Zatvorite polugu na kopči [sl. 5]. Pobrinite se da je jezičac za zaključavanje zaključao polugu u zatvoreni položaj. [sl. 6] (Da biste otpustili kopču cilindra, jezičac za zaključavanje mora se pritisnuti dolje.)

## PAKET CILINDARA

### Montiranje

1. Stavite paket cilindra na ravnu površinu s ventilom cilindra okrenutim prema sebi.
2. Provjerite spojni o-prsten i zavijte ventil cilindra rukom čvrsto na spoj cilindra na bloku razdjelnika.
3. Namjestite rupe podupirača cilindra na podloške za vođenje i gurnite nosivu ploču daleko od sebe dok remen ne klikne na mjesto. Provjerite da je paket cilindra pravilno montiran pažljivim podizanjem remena u gornjem i donjem dijelu nosive ploče. [sl. 10]

### Demontaža

1. Odvijte spoj cilindra na bloku razdjelnika od ventila cilindra.
2. Gurnite ručicu za zaključavanje na gornjem dijelu podupirača cilindra i istovremeno povucite remen prema sebi.

## OPCIJA BRZOG SPAJANJA CILINDRA

### Povezivanje

Poravnajte adapter u ventil cilindra sa spojem bloka razdjelnika. Pritisnite zajedno sve dok razvodnik ne “klikne” u ventil cilindra. [sl. 11]

Provjerite je li veza pravilno zaključana provjerom da li su površine jednake jedna s drugom.

### Odsparanje

Otpojite ga pritiskom na prsten brze spojnice od ventila cilindra i uklanjanjem razvodnika. [sl. 13]

---

**NAPOMENA!** POSTOJEĆA OPREMA MOŽE SE NADograditi NA BRZOG SPAJANJA CILINDRA.

---

## 3 PRILAGOĐAVANJE REMENJA

---

**NAPOMENA!** KADA STOJITE USPRAVNO S NAMJEŠTENIM APARATOM ZA DISANJE, VEĆINU ĆE SE TEŽINE NOSITI BOKOVI, A NE RAMENA.

---

Da biste prilagodili visinu opasača za bokove, pritisnite zajedno crvene gumbe ispod opasača za bokove [sl. 14 i 15] i povucite cijeli opasač za bokove gore ili dolje na pravilnu veličinu. Pojas se može prilagoditi na četiri različite veličine. Oznake veličine dostupne su i na prednjoj i na stražnjoj strani pojasa.

## 4 STAVLJANJE

1. Povežite crijevo za disanje s ventilom za disanje [sl. 16].
2. Spojite masku za lice i ventil za disanje prema uputama u korisničkom priručniku za masku za lice.
3. Otpustite pojaseve za ramena i opasač oko struka i stavite aparat.
4. Stavite pojas za vrat preko glave.

5. Učvrstite kopču opasača oko struka i zategnite [sl. 17], pazite da većinu težine nosi struk, a ne ramena.
6. Prilagodite pojaseve za ramena [sl. 18] i uvucite bilo koji labavi pojas. Ako je primjenjivo, učvrstite pojas za prsa i zategnite te uvucite bilo koji labavi pojas
7. Stavite masku za lice prema uputama navedenim u korisničkom priručniku za masku za lice.
8. Potpuno zatvorite ventil cilindra.



---

**NAPOMENA!** UVJERITE SE DA ĆETE POTPUNO OTVORITI VENTIL SA CILINDROM KAKO BISTE UKLONILI RIZIK ZA POREMEĆAJ NAPAJANJA ZRAKOM KAD KAPLJICE PRITISKA NA CILINDRU.

---

## 5 PROVJERA PRIJE UPOTREBE

1. Provjerite da cilindar ima dovoljno tlaka.
2. Držite dah i provjerite da se ne čuje protok zraka.
3. Stavite dva prsta između ruba za brtvljenje i lica i provjerite da se čuje jaki protok zrak [sl. 19].

---

**NAPOMENA:** OVAJ TEST NIJE PRIMJEREN ZA NORMALNE TLAČNE VENTILE ZA DISANJE.

---

## 6 UKLANJANJE APARATA

1. Isključite pozitivni tlak i uklonite masku za lice.
2. Zatvorite ventil cilindra.

---

**NAPOMENA:** DA BI SE SPRIJEČILO SLUČAJNO ZATVARANJE VENTILA CILINDRA, NEKI RUČNI KOTAČI MORAJU SE GURNUTI ILI PUVUĆI PRIJE NEGO SE MOGU OKRENUTI.

---

3. Otkopčajte kopču opasača oko struka i olabavite pojaseve za ramena.
4. Uklonite aparat i aktivirajte pozitivni tlak da biste pročistili zrak iz sustava.

## 7 ČIŠĆENJE I DEZINFEKCIJA

1. Odspojite ventil za disanje s maske za lice. Nemojte odspojiti crijevo za disanje od ventila za disanje.
2. Na ventil za disanje i na zvižduk stavite čep za pranje..
3. Kada ispirate cilindar, upotrebljavajte čep za pranje 32350-51 na mjeracu tlaka ventila cilindra ako je primjenjivo.
4. Otvorite ventil cilindra i provjerite da se u sustavu prije čišćenja nalazi tlak.

---

**NAPOMENA:** OTVORENI VENTIL CILINDRA SPREČAVA VODU DA UBE U SUSTAV I MJEHURIĆI ĆE POKAZATI BILO KAKVA CURENJA U SUSTAVU.

---

5. Poprskajte ili uronite aparat za disanje u vodu i otapalo za čišćenje. Koristite otapalo za čišćenje koje preporučuje Interspiro, max. 55° C.

6. Očistite aparat spužvom ili četkom.
7. Isperite aparat čistom vodom, max. 60° C.
8. Uklonite sve čepove za pranje iz aparata za disanje.
9. Zatvorite ventil cilindra i aktivirajte pozitivan tlak za pročišćavanje zraka iz sustava.
10. Osušite aparat, maks. 60 °C
11. Očistite i dezinficirajte masku za lice i ventil za disanje prema uputama u korisničkom priručniku za masku za lice.

## **UKLANJANJE TEKSTILNIH DIJELOVA**

Tekstilni se dijelovi mogu ukloniti sa stražnje ploče za zasebno pranje.

### Demontaža

1. Uklonite crijeva s pojasa za ramena. Otvorite pokrove za crijeva otkopčavanjem kratkoga kraja zavijenih D-prstena, ili otvaranjem kopčica na utiskivanje.
2. Otkopčajte pojas cilindra.
3. Uklonite kopču pojasa cilindra.
4. Uklonite pojas cilindra s nosive ploče i štitnika za rame.
5. Uklonite štitnik za rame s nosive ploče. Podignite štitnik za rame da biste dohvatili presavijeni kraj tkanine. Okrenite presavijenu tkaninu tako da pristaje kroz prorez na nosivoj ploči i povucite/gurnite je kroz prorez [sl. 20]. Ponovite postupak za sljedeći pojas.
6. Uklonite cijeli opasač za bokove s nosive ploče. Stavite opasač oko bokova na veličinu „S” i gurnite alat za odspajanje (32009-51) u tračnicu na nosivoj ploči [sl. 21]. Gurnite sklop opasača oko bokova gore i s nosive ploče dok se alat još nalazi na mjestu.

### Montiranje

1. Stavite dodatak opasača oko bokova u tračnicu na nosivoj ploči. Gurnite zajedno jezičce za prilagođavanje i gurnite cijeli opasač za bokove niz tračnicu.
2. Montirajte štitnik za rame na nosivu ploču. Stavite tkaninu štitnika za rame kroz proreze u nosivoj ploči. Presavijena blokada na kraju svakoga pojasa treba biti u šupljinama u nosivoj ploči [sl. 20].
3. Montirajte pojas cilindra s lijeve strane kako se nosi. Umetnite pojas cilindra s unutarnje strane remena kroz prvi prorez u nosivoj ploči oko nosača i kroz drugi prorez. Stavite ga kroz pojas na stražnjoj strani štitnika za rame, kroz prorez (drugi s desne strane kako se nosi) i oko nosača te kroz prorez (prvi s desne strane kako se nosi) [sl. 22].
4. Montirajte kopču pojasa cilindra [sl. 23].
5. Montirajte pojas cilindra ispod četiri uške na nosivoj ploči [sl. 7].
6. Montirajte crijeva u pokrove crijeva na štitniku za rame.

## 8 SKLADIŠTENJE I TRANSPORT

Pohranite u hladnoj i suhoj okolini bez prašine. Zaštitite gumene dijelove od izravne sunčeve svjetlosti, UV zračenja i izravne vrućine. Kada regulacijska jedinica nije spojena, ventil cilindra uvijek će imati zaštitni čep.

Tijekom transporta proizvod mora biti dobro zaštićen unutar originalnog ambalažnog materijala ili sličnog ambalažnog materijala.

## 9 DODATNI ZRAČNI SPOJ

Neki su modeli opremljeni dodatnim spojem za zrak koji se može upotrijebiti za:

1. spajanje ventilacijskog sustava za kemijsko odijelo
2. spajanje crijeva između dva aparata
3. spajanje dodatne maske
4. spajanje maske za oživljavanje Revitox ili evakuacijske kapuljače EVAC
5. dovod zraka u aparat iz vanjskog izvora



Kada se iz aparata uzima zrak, prethodne točke 1 – 4, potrošnja se zraka povećava i trajanje se aparata smanji.



Posebna ženska spojka s nepovratnim otvaračem ventila mora se upotrebljavati kada se uzima zrak iz aparata, prethodne točke 1 – 4. Uređaj otvara nepovratni ventil u muškom spoju na aparatu.



Kada se u aparat unosi zrak iz vanjskog izvora, ova se vrsta ženske spojke ne smije upotrebljavati. Pri ovoj primjeni, nepovratni ventil u muškom spoju mora se moći zatvoriti u slučaju poremećaja u dobavi zraka iz vanjskog izvora.

## 10 UPOTREBA SA ZRAČNIM SUSTAVOM

Upute u Odjeljku 1, Odjeljku 2 – „Montiranje cilindra – pojedinačni cilindar” i odjeljcima 3 – 12 primjenjuju se na upotrebu sa zračnim sustavom.

Crijevo za dobavu zraka spojeno je na mušku spojku na razdjelniku koja se nalazi na desnoj strani (kako se nosi) opasača oko struka.

Kada rukujete dobavljenim zrakom iz zračnog crijeva, ventil cilindra na SCBA-u treba biti zatvoren.

Ako se dobava iz zračnoga crijeva poremeti, potpuno otvorite ventil cilindra SCBA-a.

Kada se ventil cilindra otvori, korisnik mora odmah napustiti opasno područje. Po potrebi odspojite zračno crijevo.

Kada se rukuje otvorenim ventilom cilindra i upotrebljava u kombinaciji s automatskim prekidačem između zračnog dovoda i cilindra SCBA, trebaju se uzimati obzir sljedeće upute.

1. Očitajte i bilježite očitavanje tlaka na mjerачu tlaka SCBA-a.
2. Povežite brzi priključak SCBA-a s crijevom za dobavu zraka. Viši tlak u crijevu za nabavu trebao bi ugasiti dobavu iz SCBA-a.

3. Nakon dvije minute opet očitajte tlak koji se prikazuje na mjerачu tlaka. Tijekom prijednog vremena ne bi trebalo biti mjerljivog pada u tlaku na mjerачu. Ova će provjera naznačiti da viši tlak u crijevu za dobavu zraka sprečava da se zrak odvodi iz cilindra SCBA.
4. Tijekom upotrebe u opasnoj okolini, povremeno provjerite tlak koji se prikazuje na mjerачu i ako se zabilježi smanjenje, prestanite s upotrebom. Odspojite zračno crijevo i izađite u sigurno područje s pomoću kompleta za spašavanje kao aparata za bijeg.

## **11 OZNAKE (SL. 24)**

### **NALJEPNICA KOJA SE NALAZI NA NOSIVOJ PLOČI**

- A. Proizvođač
- B. Oznaka modela
- C. Serijski broj
- D. Europski standard i klasifikacija
- E. Godina proizvodnja

## **12 RASPORED SERVISA I TESTIRANJA**

Servis i testiranje obaviti će se prema Rasporedu za servis i testiranje 97307. Za posljednju reviziju posjetite [www.interspiro.com](http://www.interspiro.com).

### **NAKON SVAKE UPOTREBE**

1. Isključite pozitivni tlak (ako je primjenjivo).
2. Potpuno otvorite ventil cilindra i očitajte mjerач tlaka.
3. Zatvorite ventil cilindra.
4. Pazite da tlak ne padne.
5. Smanjite tlak cilindra polako i pazite da se zviždaljka počinje oglašavati na 55±5 bara.

# QS II OSNOVNI MODEL

## KORISNIČKI PRIRUČNIK - SRPSKI

Ovaj proizvod, koji korisnika snabdeva vazduhom za disanje, testiran je i skladu sa standardom EN 137 Tip 2, i mora se koristiti u skladu sa lokalnim zakonodavstvom.

Proizvođač:

Interspiro AB

Box 2853, 18728 Täby, Švedska.

### 1 OBAVEŠTENJE O BEZBEDNOSTI

Proizvod se može koristiti samo sa:



Interspiro bocama:	Spirolite od 3,4 l ili 6,7 l Kompozitne od 6,8 l ili 9,0 l Čelične od 4 l ili 6 l
Interspiro punim maskama:	Serije Inspire Serije Respire Serije S Serije Spiromatic



**PAŽNJA!** APARAT ZA DISANJE SA DVOBOCNIM KONFIGURACIJAMA: SPIROLITE OD 6,7 L, KOMPOZITNE OD 6,8 L (SA ALUMINIJUMSKOM KOŠULJICOM) ILI 6 L PREMAŠUJU OGRANIČENJE UKUPNE TEŽINE PROPISANO ČLANOM 6.6 STANDARDA EN 137:2006.



Proizvod mogu da koriste samo lica dobrog zdravstvenog stanja, koja su prošla obuku za korišćenje respiratorne zaštitne opreme. Brada ili veliki zulufi mogu da spreče adekvatno naleganje maske. Aparat se mora održavati, servisirati i testirati kao što je opisano u ovom korisničkom priručniku, Interspiro priručniku za servisiranje i Interspiro uputstvu za testiranje.



#### KOMPANIJA INTERSPIRO NIJE ODGOVORNA ZA

- ❖ KOMBINACIJE PROIZVODA, OSIM ZA ONE KOJE JE KOMPANIJA INTERSPIRO PLASIRALA NA TRŽIŠTE
- ❖ ZMENE ILI ADAPTACIJE PROIZVODA KOJE JE IZVRŠILA TREĆA STRANA

Izmene ovog dokumenta, koje su neophodne zbog tipografskih grešaka, nepreciznih informacija ili poboljšanja i izmene opreme, mogu se izvršiti bilo kada bez prethodnog obaveštenja. Uvek potražite novosti o proizvodima, ispravke dokumenata i servisne biltene na adresi [www.interspiro.com](http://www.interspiro.com). Izloženost ekstremnim uslovima može da zahteva mere različite od onih koje su navedene u ovom priručniku. Garancije navedene u uslovima prodaje nisu proširene ovim Obaveštenjem o bezbednosti.





Boce su napunjene vazduhom za disanje koji ispunjava uslove propisane standardom EN 12021, što znači da ne sadrži ulje i toksične supstance i da ima nizak procenat vlage.



Trajanje aparata za disanje sa komprimovanim vazduhom zavisi od zapremine vazduha u boci za komprimovani vazduh i potrošnji vazduha, koja je specifična kod svakog nosioca opreme i na koju utiče radno opterećenje. Prilikom udisanja vazduha iz dodatnog priključka za vazduh, kojim su opremljeni neki modeli, povećava se potrošnja vazduha i skraćuje trajanje aparata.



Prilikom rada sa dve odvojene boce, od kojih svaka ima poseban ventil, potrebno je napuniti obe boce do istog radnog pritiska. Uvek otvorite oba ventila na ovim bocama kada komprimujete vazduh u aparat za disanje i vodite računa da ovi ventili budu otvoreni tokom korišćenja aparata.



Ako se izolacioni aparat za disanje koristi zajedno sa drugom ličnom zaštitnom opremom, važno je da ova dodatna oprema bude kompatibilna sa aparatom za disanje i da ne narušava punu zaštitu respiratornog zaštitnog uređaja.



Neki od izvora opasnosti zbog kojih je neophodno koristiti dodatnu ličnu zaštitnu opremu su:

- Tečnosti, para ili gasovi koji mogu da oštete kožu
- Zagađivači koje koža apsorbuje
- Toplotno zračenje
- Mehanička dejstva
- Eksplozivna okruženja.

## 2 MONTAŽA BOCE

### JEDNOBOCNI APARAT

1. Uverite se da je kopča remena boce postavljena što bliže ploči. Postavite bocu na ploču. [Slika 1]
2. Proverite O-prsten spoja i rukom zategnite ventil boce za spojnicu za bocu na razvodnom bloku. [Slika 2]

---

**NAPOMENA!** ZA BRZO SPAJANJE BOCE VIDITE ODELJAK OPCIJA BRZOG SPAJANJA BOCE.

---

3. Povucite remen oko boce i zakopčajte ga [slika 3]. Po potrebi podesite dužinu remena. [Slika 4] Nemojte suviše da ga zategnete. Ako se zategne prejako, može doći do oštećenja kopče i ploče.
4. Zatvorite poklopac kopče [slika 5]. Proverite da li je jezičak za zaključavanje zaključao poklopac u zatvorenom položaju. [Slika 6] (Kopča boce se otvara tako što se jezičak za zaključavanje pritisne nadole.)

### DVOBOCNI APARAT



---

**PAŽNJA!** PRILIKOM RADA SA DVE ODVOJENE BOCE, OD KOJIH SVAKA IMA POSEBAN VENTIL, POTREBNO JE NAPUNITI OBE BOCE DO ISTOG RADNOG PRITISKA. UVEK OTVORITE OBA VENTILA NA OVIM BOCAMA KADA KOMPRIMUJETE VAZDUH U APARAT ZA DISANJE I VODITE RAČUNA DA OVI VENTILI BUDU OTVORENI TOKOM KORIŠĆENJA APARATA.

---

1. Ako se remen boce prethodno koristio za jednobocni aparat, oslobodite remen iz četiri ušica na ploči [slika 7].
2. Postavite remen tako da kopča bude što bliže ploči.
3. Ako je moguće, montirajte držač remena i odstožnik boce.
4. Proverite O-prsten spoja i zategnite nastavak u obliku slova T za spojnicu za bocu na razvodnom bloku – nemojte ga suviše zategnuti.
5. Postavite boce na ploču tako da se između njih nalazi držač remena. [Slika 9] Uverite se da creva nisu nagnječena između boca i ploče, već da su smeštena između boca.
6. Proverite O-prstenove spoja i rukom zategnite ventile boca za spojnice za boce na nastavku u obliku slova T. [Slika 8]
7. Ručno zategnite nastavak u obliku slova T za razvodni blok.
8. Povucite remen oko boca i zakopčajte ga [slika 3]. Po potrebi podesite dužinu remena. [Slika 4] Nemojte suviše da ga zategnete. Ako se zategne prejako, može doći do oštećenja kopče i ploče.
9. Zatvorite poklopac kopče [slika 5]. Proverite da li je jezičak za zaključavanje zaključao poklopac u zatvorenom položaju. [Slika 6] (Kopča boce se otvara tako što se jezičak za zaključavanje pritisne nadole.)

## SET SA BOCOM

### Montaža

1. Spustite set sa bocom na ravnu površinu tako da ventil boce bude okrenut ka vama.
2. Proverite O-prsten spoja i rukom zategnite ventil boce za spojnicu za bocu na razvodnom bloku.
3. Uklopite rupice na nosaču boce sa podloškama vođice, a zatim gurajte ploču od sebe sve dok samar ne upadne u ležište. Proverite da li je set sa bocom pravilno montiran tako što ćete pažljivo podići samar u gornjem i donjem delu ploče. [Slika 10]

### Demontaža

1. Odvratite spojnicu za bocu na razvodnom bloku i odvojite je od ventila boce.
2. Istovremeno gurnite ručicu za zaključavanje u gornjem delu nosača boce i povucite samar ka sebi.

## OPCIJA BRZOG SPAJANJA BOCE

### Povezivanje

Povežite adapter na ventilu boce sa spojnicom na razvodnom bloku. Pritiskajte ih zajedno sve dok razvodnik ne “klikne” u spoju sa ventilom boce. [Slika 11].

Proveriti da li je spoj dobar tako što ćete proveriti dasu obe strane spoja poravnate. [Slika 12].

### Odvajanje

Razdvajanje se vrši pritiskanjem prstena brzog spoja od ventila bocei skidanjem razdelnika. [Slika 13].

---

**NAPOMENA!** POSTOJEĆA OPREMA SE MOŽE NADograditi DA IMA BRZI SPOJ SA BOCOM.

---

## 3 PRILAGOĐAVANJE SAMARA

---

**NAPOMENA!** KADA STOJITE USPRAVNO SA APARATOM ZA DISANJE NA LEĐIMA, TEŽINA JE UGLAVNOM NA BOKOVIMA, A NE NA RAMENIMA.

---

Da biste prilagodili visinu pojasa za bokove, pritisnite oba crvena dugmeta ispod pojasa za bokove [slike 14 i 15] i povucite kompletan pojas za bokove nagore ili nadole do odgovarajuće veličine. Samar se može podesiti na četiri različite veličine. Oznake veličine su dostupne na prednjoj i zadnjoj strani samara.

## 4 NAVLAČENJE OPREME

1. Povežite crevo za disanje sa ventilom za disanje [slika 16].
2. Povežite masku za lice i ventil za disanje prema uputstvu iz korisničkog priručnika za masku za lice.
3. Olabavite naramenice i otkopčajte opasač, a zatim prebacite aparat preko leđa.

4. Prebacite okovratnik preko glave.
5. Zakopčajte i zategnite opasač [slika 17], vodeći računa da težina bude uglavnom na struku, a ne na ramenima.
6. Podesite naramenice [slika 18] i uvucite slobodne krajeve. Zakopčajte i zategnite grudni pojas, ako je dostupan, i uvucite slobodne krajeve.
7. Navucite zaštitnu masku na lice prema uputstvu iz korisničkog priručnika za masku.
8. Otvorite do kraja ventil na boci.



---

**UPOZORENJE!** OBRATITE PAŽNJU DA VENTIL NA BOCI BUDE POTPUNO OTVOREN DA BI SE ELIMINISAO RIZIK OD PREKIDA SNABDEVANJA VAZDUHOM KADA OPADNE PRITISAK U BOCI.

---

## 5 PROVERA PRE UPOTREBE

1. Proverite da li boca ima dovoljan pritisak.
2. Zadržite dah i uverite se da se ne čuje nikakvo strujanje vazduha.
3. Stavite dva prsta između zaptivne ivice i obraza kako biste proverili da li se čuje jako strujanje vazduha [slika 19].

---

**NAPOMENA:** OVAJ TEST SE NE MOŽE PRIMENITI NA VENTILE ZA DISANJE NORMALNOG PRITISKA.

---

## 6 SKIDANJE APARATA

1. Isključite pozitivni pritisak i skinite masku sa lica.
2. Zatvorite ventil na boci.

---

**NAPOMENA:** DA NE BI DOŠLO DO SLUČAJNOG ZATVARANJA VENTILA NA BOCI, NEKE RUČNE TOČKOVE JE POTREBNO PRITISNUTI ILI POVUĆI PRE NEGO ŠTO SE ZAVRNU.

---

3. Otkopčajte opasač i olabavite naramenice.
4. Uklonite aparat i aktivirajte pozitivni pritisak da biste odzračili sistem.

## 7 ČIŠĆENJE I DEZINFEKCIJA

1. Odvojite ventil za disanje od maske. Nemojte da odvajate crevo za disanje od ventila za disanje.
2. Postaviti zaštitni poklopac za pranje na ventil za disanje i signalnu pištaljku.
3. Prilikom pranja boce koristite ispusni čep 32350-51 merača pritiska na ventilu boce, ako je dostupan.
4. Otvorite ventil na boci i proverite da li u sistemu postoji pritisak pre nego što počnete sa čišćenjem.

---

**NAPOMENA:** KADA JE VENTIL NA BOCI OTVOREN, SPREČAVA SE PRODIRANJE VODE U SISTEM, A MEHURIĆI UKAZUJU NA CURENJE U SISTEMU.

---

5. Potopite aparat za disanje u rastvor vode i sredstva za čišćenje, ili ga poprskajte njime. Koristiti samo rastvor za čišćenje koji preporučuje Interspiro, maksimalne temperature 55 oC.
6. Očistite aparat sunderom ili četkom.
7. Isperite aparat čistom vodom, maksimalne temperature 60 oC.
8. Izvadite sve ispusne čepove iz aparata za disanje.
9. Zatvorite ventil na boci i aktivirajte pozitivni pritisak da biste odzračili sistem.
10. Osušite aparat, na temperaturi do 60 °C.
11. Očistite i dezinfikujte zaštitnu masku za lice i ventil za disanje prema uputstvu iz korisničkog priručnika za masku.

## **SKIDANJE DELOVA OD TEKSTILA**

Delovi od tekstila se mogu skinuti sa ploče kako bi se posebno oprali.

### Demontaža

1. Skinite creva sa naramenica. Otvorite pokrivače creva tako što ćete otkačiti kraći kraj upredenih D-prstenova, ili otvoriti kopče.
2. Otkadžite remen boce.
3. Skinite kopču remena boce.
4. Skinite remen boce sa ploče i štitnika za ramena.
5. Skinite štitnik za ramena sa ploče. Podignite štitnik za ramena da biste dohvatili presavijeni kraj remena. Okrenite presavijeni kraj remena tako da možete da ga provučete kroz otvor na ploči [slika 20]. Uradite ovo isto sa drugim remenom.
6. Skinite ceo pojas za bokove sa ploče. Podesite pojas za bokove na veličinu „S“ i gurnite mehanizam za odvajanje (32009-51) u usek na ploči [slika 21]. Izgurajte sklop pojasa za bokove sa ploče dok je mehanizam i dalje u useku.

### Montaža

1. Postavite priključak za pojas za kukove u usek na ploči. Pritisnite oba jezička za podešavanje veličine i gurnite čitav pojas za kukove niz usek.
2. Postavite štitnik za ramena na ploču. Provucite remen štitnika za ramena kroz otvore na ploči. Presavijen stoper na kraju svakog remena treba da se nalazi u šupljinama ploče [slika 20].
3. Postavite remen boce sa leve strane, gledano iz perspektive nosioca opreme. Provucite remen boce sa unutrašnje strane samara kroz prvi otvor na ploči, oko pregrade, pa kroz drugi otvor. Provucite ga kroz kaiš na zadnjoj strani štitnika za ramena, kroz otvor (drugi sa desne strane gledano iz perspektive nosioca), oko pregrade, a zatim kroz drugi otvor (prvi sa desne strane gledano iz perspektive nosioca) [slika 22].
4. Postavite kopču na remen boce [slika 23].
5. Provucite remen boce ispod četiri ušica na ploči [slika 7].
6. Namestite creva ispod pokrivača na naramenicama.

## 8 SKLADIŠTENJE I TRANSPORT

Čuvajte na hladnom, suvom mestu gde nema prašine. Zaštitite gumene delove od direktne sunčeve svetlosti, UV zračenja i direktnog izvora toplote. Kada jedinica regulatora nije povezana, na ventilu boce uvek stoji zaštitni čep.

Tokom transporta proizvod mora biti dobro zaštićen unutra originalnog pakovanja ili sličnog materijala.

## 9 DODATNI PRIKLJUČAK ZA VAZDUH

Neki modeli imaju dodatni priključak za vazduh koji se koristi za:

1. povezivanje sistema za ventilaciju hemijskog odelja
2. povezivanje creva za spasavanje između dva aparata
3. povezivanje dodatne maske
4. povezivanje maske za reanimaciju Revitox ili respiratora za evakuaciju EVAC
5. napajanje aparata iz spoljnog izvora vazduha



Prilikom udisanja vazduha iz aparata (navedene stavke 1–4), povećava se potrošnja vazduha i skraćuje trajanje aparata.



Prilikom udisanja vazduha iz aparata (navedene stavke 1–4), neophodno je koristiti specijalnu žensku spojnicu sa otvaračem nepovratnog ventila. Ovaj uređaj otvara nepovratni ventil u muškoj spojnici na aparatu.



Ova vrsta ženske spojnice ne sme da se koristi prilikom napajanja aparata iz spoljnog izvora vazduha. U ovakvoj primeni, nepovratni ventil u muškoj spojnici mora da bude u stanju da se zatvori u slučaju prekida dovoda vazduha iz spoljnog izvora.

## 10 UPOTREBA SA SISTEMOM ZA DOVOD VAZDUHA

ZA upotrebu sa sistemom za dovod vazduha važe uputstva iz odeljka 1, odeljka 2 – „Montaža boce – jednobocni aparat“ i odeljaka 3–12.

Crevo za dovod vazduha je povezano sa muškom spojnicom na razvodniku sa desne strane (gledano iz perspektive nosioca) opasača.

Prilikom korišćenja vazdušnog napajanja iz creva za dovod vazduha, potrebno je zatvoriti ventil na boci izolacionog aparata.

U slučaju prekida dovoda vazduha iz creva, ventil na boci izolacionog aparata treba otvoriti do kraja.

Kada se ventil otvori, korisnik mora da napusti opasno područje. Ako je potrebno, isključite crevo za dovod vazduha.

Kada se ventil na boci otvori i koristi u sprezi sa automatskim prebacivanjem između dovoda vazduha i boce izolacionog aparata, pridržavajte se sledećeg uputstva.

1. Proverite i zabeležite očitane vrednosti pritiska na meraču pritiska izolacionog aparata.
2. Povežite brzu spojnicu izolacionog aparata sa crevom za dovod vazduha. Veći pritisak u crevu bi trebalo da zaustavi dovod vazduha iz izolacionog aparata.

3. Nakon dva minuta, ponovo proverite koliki pritisak pokazuje merač pritiska. U međuvremenu ne bi trebalo da dođe do osetnog pada pritiska. Ova provera će pokazati da li veći pritisak u crevu za dovod vazduha sprečava uzimanje vazduha iz boce izolacionog aparata.
4. Tokom upotrebe u opasnom okruženju, povremeno proveravajte vrednosti pritiska koje pokazuje merač. Ako primetite da je došlo do pada pritiska, prestanite da koristite aparat. Isključite crevo za dovod vazduha i sklonite se na bezbedno mesto koristeći set sa rezervnim vazduhom kao aparatom za spasavanje.

## 11 OZNAKE (SLIKA 24)

### OZNAKA KOJA SE NALAZI NA PLOČI

- A. Proizvođač
- B. Oznaka modela
- C. Serijski broj
- D. Evropski standard i klasifikacija
- E. Godina proizvodnje

## 12 RASPORED SERVISIRANJA I TESTIRANJA

Servisiranje i testiranje se obavlja u skladu sa rasporedom servisiranja i testiranja 97307. Poslednje prerađeno izdanje potražite na [www.interspiro.com](http://www.interspiro.com).

### NAKON SVAKE UPOTREBE:

1. Isključite pozitivni pritisak (ako je primenljivo).
2. Otvorite ventil na boci do kraja i proverite koliko pritisak je očitao merač pritiska.
3. Zatvorite ventil na boci.
4. Uverite se da nije došlo do pada pritiska.
5. Polako smanjite pritisak u boci i proverite da li pištaljka počinje da se oglašava na  $55 \pm 5$  bara.

# QS II TEMEL MODEL

## KULLANIM KILAVUZU - TÜRKÇE

Kullanıcıya solunum havası sağlayan bu ürün, EN 137 Tip 2'ye uygun olarak test edilmiştir ve yerel düzenlemelere uygun olarak kullanılmalıdır.

Üretici firma:

Interspiro AB

Kutu 2853, 18728 Täby, İsveç.

### 1 GÜVENLİK UYARISI

Ürün sadece aşağıdakilerle birlikte kullanılmalıdır:



Interspiro tüpler: Spirolite 3,4 L veya 6,7 L  
Kompozit 6,8 L veya 9,0 L  
Çelik 4 L veya 6 L

Interspiro tam yüz maskeleri: Inspire serisi  
Respire serisi  
S serisi  
Spiromatic serisi



**DİKKATI İKİ TÜPLÜ KONFIGÜRASYONA SAHİP SOLUNUM CİHAZLARI: SPIROLITE 6,7 L, KOMPOZİT 6,8 L (ALU LİNER İLE) VEYA 9,0 L VE 4 L VEYA 6 L ÇELİK TÜPLER, EN 137:2006 STANDARTI 6,6'YA GÖRE TOPLAM AĞIRLIK SINIRINI AŞMAKTADIR.**



Ürün sadece sağlıklı ve solunum sistemi ekipmanı kullanımı konusunda eğitim almış kişilerce kullanılabilir. Sakallı veya uzun favorili kişiler yeterli sızdırmazlık sağlayamayabilir. Cihazın bakım, servis ve test işlemlerinin bu kullanım kılavuzunda, Interspiro servis kılavuzlarında ve Interspiro test talimatlarında belirtilen şekilde gerçekleştirilmesi gerekir.



#### **INTERSPIRO AŞAĞIDAKİLERDEN SORUMLU DEĞİLDİR:**

- INTERSPIRO TARAFINDAN PIYASAYA SÜRÜLMİYEN ÜRÜN KOMBİNASYONLARI
- ÜÇÜNCÜ TARAFLARCA ÜRÜNDE YAPILAN DEĞİŞİKLİKLER VEYA ADAPTASYONLAR



Tipografik hatalar, güncel bilgi yanlışlıkları veya ekipmanlarda yapılan iyileştirmeler ve değişikliklerden dolayı bu dokümanda önceden bildirimde bulunmaksızın herhangi bir zamanda değişiklik yapılabilir. Ürün güncellemeleri, doküman güncellemeleri ve servis bültenleri için daima [www.interspiro.com](http://www.interspiro.com) web sitesini ziyaret edin. Aşırı koşullara maruz kalmak, bu kılavuzda açıklananlardan farklı işlemler gerektirebilir. Satış koşullarında belirtilen garantiler, bu Güvenlik Bildirimi ile uzatılmamaktadır. Tüplerin doldurulduğu temiz hava, EN 12021 standardını karşılayacak şekilde yağı, toksik madde içermemeli ve düşük nem oranına sahip olmalıdır.





Bir basınçlı hava solunum cihazının kullanım süresi, basınçlı hava tüplerindeki hava miktarına ve kullanan kişiye özgü ve iş yükünden etkilenen hava tüketimine bağlıdır. Bazı modellerde bulunan ek hava bağlantısından hava alırken, hava tüketimi artar ve cihaz kullanım süresi kısalmır.



İki ayrı bağımsız vanalı tüple çalışırken, her iki tüp de benzer çalışma basıncıyla doldurulmalıdır. Solunum cihazını basınçlandırırken daima her iki tüp vanasını açın ve cihaz kullanımı sırasında her iki tüp vanasının açık tutulmasını sağlayın.



Bağımsız solunum cihazı diğer kişisel koruyucu ekipmanlar birlikte kullanılacaksa, ek kişisel koruyucu ekipmanların solunum cihazı ile uyumlu olmasını ve solunum koruyucu cihazın tam korumasını etkilememesini sağlamak önemlidir.

Ek kişisel koruyucu ekipman kullanılmasını gerektirebilecek tehlike örnekleri:



- Cilde zarar verebilecek sıvılar, buhar veya gazlar
- Cildin emebildiği kirletici maddeler
- Termal radyasyon
- Mekanik etkiler
- Patlayıcı ortamlar.

## 2 TÜP MONTAJI

### TEK TÜP

1. Tüp kayışı tokasının, sırtlığa mümkün olduğunca yakın gelecek şekilde yerleştirildiğini kontrol edin. Tüpü sırtlığa yerleştirin. [Şek. 1]
2. Bağlantı O-halkası'nı kontrol edin ve tüp vanasını manifold bloğunun tüp bağlantısına elle vidalayın. [Şek. 2]

---

**NOT!** SİLİNDİR HIZLI BAĞLANTI İÇİN BÖLÜMÜ GÖR TÜP HIZLI BAĞLANTI SEÇENEĞİ.

---

3. Tüp kayışını tüp çevresinden geçirin ve tokayla bağlayın [Şek. 3]. Gerekirse kayış uzunluğunu ayarlayın. [Şek. 4] Fazla sıkmayın. Kayış aşırı sıkılırsa, toka ve sırtlık hasar görür.
4. Toka kolunu kapatın [Şek. 5]. Kilit dilinin kolu kapalı konumda kilitlediğinden emin olun. [Şek. 6] (Tüp tokasının kilidini açmak için kilit dili aşağı bastırılmalıdır.)

### İKİLİ TÜP



---

**DİKKAT!** İKİ AYRI BAĞIMSIZ VANALI TÜPLE ÇALIŞIRKEN, HER İKİ TÜP DE BENZER ÇALIŞMA BASINCIYLA DOLDURULMALIDIR. SOLUNUM CİHAZINI BASINÇLANDIRIRKEN DAİMA HER İKİ TÜP VANASINI AÇIN VE CİHAZ KULLANIMI SIRASINDA HER İKİ TÜP VANASININ AÇIK TUTULMASINI SAĞLAYIN.

---

1. Daha önce tek tüp için kullanıldıysa, tüp kayışını sırtlıktaki dört halkadan çıkarın [Şek. 7].
2. Tüp kayışının, toka ile sırtlığa mümkün olduğunca yakın gelecek şekilde yerleştirildiğini kontrol edin.
3. Gerekirse kayış bandını ve tüp ara parçasını takın.
4. Bağlantı O-halkası'nı kontrol edin ve T parçasını manifold bloğunun tüp bağlantısına vidalayın - Sıkmayın.
5. Kayış halkası tüplerin arasına gelecek şekilde tüpleri sırtlığa yerleştirin. [Şek. 9] Hortumların tüplerin arasına yerleştirildiğini ve tüplerle sırtlık arasına sıkışmadığını kontrol edin.
6. Bağlantı O-halka'larını kontrol edin ve tüp vanalarını T parçasının tüp bağlantılarına elle vidalayın. [Şek. 8]
7. T parçasını manifold bloğuna elle sıkarak sabitleyin.
8. Tüp kayışını tüplerin çevresinden geçirin ve tokayla bağlayın [Şek. 3]. Gerekirse kayış uzunluğunu ayarlayın. [Şek. 4] Fazla sıkmayın. Kayış aşırı sıkılırsa, toka ve sırtlık hasar görür.
9. Toka kolunu kapatın [Şek. 5]. Kilit dilinin kolu kapalı konumda kilitlediğinden emin olun. [Şek. 6] (Tüp tokasının kilidini açmak için kilit dili aşağı bastırılmalıdır.)

## TÜP SETİ

### Montaj

1. Tüp setini, tüp vanası size doğru bakacak şekilde düz bir yüzeye yerleştirin.
2. Bağlantı O-halkası'nı kontrol edin ve tüp vanasını manifold bloğunun tüp bağlantısına elle vidalayın.
3. Tüp braketini deliklerini kılavuz rondelaya takın ve koşum yerine oturana kadar sırtlığı kendinizden uzağa ileri doğru itin. Sırtlığın üst ve alt kısmından koşumu dikkatlice kaldırarak tüp setinin doğru bir şekilde monte edildiğini kontrol edin. [Şek. 10]

### Sökme

1. Manifold bloğunun tüp bağlantısını tüp vanasından ayırın.
2. Tüp braketinin üst kısmındaki kilit koluna bastırın ve aynı zamanda koşumu kendinize doğru çekin.

## TÜP HIZLI BAĞLANTI SEÇENEĞİ

### Bağlama

Silindir valfi adaptörünü silindir bağlantı manifolduna bağlayın. Manifold silindir valfini "tıklayana" kadar birlikte bastırın. [Şek. 11]

Yüzeylerin birbiriyle aynı hizada olduğunu kontrol ederek bağlantının düzgün şekilde kilitlendiğini kontrol edin. [Şek. 11]

### Ayırma

Hızlı kaplin halkasını silindir valfinden uzağa bastırarak ve manifoldu sökerek ayırın. [Şek. 13]

---

**NOTI** MEVCUT EKİPMAN SİLİNDİR HIZLI KAPLINE YÜKSELTİLİR.

---

## 3 KOŞUMU AYARLAMA

---

**NOTI** SOLUNUM CİHAZINI KUŞANMIŞ OLARAK DİK DURURKEN, AĞIRLIĞIN BÜYÜK KISMI OMUZLARDA DEĞİL, BELDE TAŞINMALIDIR.

---

Bel kayışı yüksekliğini ayarlamak için, bel kayışı üzerindeki kırmızı düğmeleri birbirine bastırın [Şek. 14 ve 15] ve bel kayışının tamamını yukarı veya aşağı yönde, doğru boyuta kaydırın. Koşum dört farklı boyuta ayarlanabilir. Boyut işaretleri koşumun hem önünde hem arkasında bulunmaktadır.

## 4 KUŞANMA

1. Solunum hortumunu solunum vanasına [Şek. 16] bağlayın.
2. Yüz maskesi ve solunum vanasını, yüz maskesi kullanım kılavuzunda verilen talimatlara göre bağlayın.
3. Omuz kayışlarını ve bel kayışını gevşetin ve ekipmanı takın.
4. Boyun kayışını kafadan geçirin.

5. Bel kayışı tokasını takıp sıkın [Şek. 17] ve yükün büyük kısmının omuzlarda değil, belde taşındığından emin olun.
6. Omuz kayışlarını ayarlayın [Şek. 18] ve gevşek kayışları içeri sokun. Varsa göğüs kayışını takıp sıkın ve gevşek kayışları içeri sokun.
7. Yüz maskesi kullanım kılavuzunda belirtilen talimatlara göre yüz maskesini takın.
8. Silindir valfini tamamen açın.



**DİKKATİ:** SİLİNDİR BASINÇ DÜŞÜKLEDİĞİNDE HAVA BESLEMESİNİN ÇIKARILMASI RİSKİNİ KALDIRMAK İÇİN SİLİNDİR VALFİNİ AÇMAYIN.

## 5 KULLANIM ÖNCESİ KONTROL

1. Tüpte yeterli basınç olduğunu kontrol edin.
2. Nefesinizi tutun ve hava akışı duyulmadığını kontrol edin.
3. Sızdırmazlık kenarına iki parmağınızı yerleştirin ve güçlü bir hava akışı duyulduğunu kontrol edin [Şek. 19].

**NOT:** BU TEST, NORMAL BASINÇLI SOLUNUM VANALARI İÇİN UYGULANAMAZ.

## 6 CİHAZI ÇIKARMA

1. Pozitif basıncı kapatın ve yüz maskesini çıkarın.
2. Tüp vanasını kapatın.

**NOT:** TÜP VANASININ İSTENMEDEN KAPANMASINI ÖNLEMELERİNE BAZI EL TEKERLERİNİN ÇEVİRİLMEDEN ÖNCE İÇERİ BASTIRILMASI GEREKİR.

3. Bel kayışı tokasını açın ve omuz kayışlarını gevşetin.
4. Cihazı çıkarın ve sistemden hava tahliye etmek için pozitif basıncı etkinleştirin.

## 7 TEMİZLİK VE DEZENFEKSİYON

1. Solunum valfini yüz maskesinden ayırın. Solunum hortumunu solunum valfinden ayırmayın.
2. Solunum valfine ve ıslık üzerine bir yıkama tapası takın.
3. Varsa silindiri yıkarken, silindir valfi basınç göstergesinde 32350-51 tapasını kullanın.
4. Silindir valfini açın ve temizlemeden önce sistemde basınç olup olmadığını kontrol edin.

**NOT:** SİLİNDİR VALFİNİN AÇIK OLMASI, SİSTEME GİRİŞDEN SUYU ÖNLEMEDİR VE KABARCAKLAR SİSTEMDE HERHANGİ BİR SIZDIRACAĞI GÖSTERİR.

5. Solunum cihazını su ve temizleme çözücüsüne püskürtün veya batırın. Interspiro tarafından önerilen temizleme solventini kullanın, maks. 55° C.
6. Cihazı bir sünger veya fırça ile temizleyin.
7. Cihazı temiz su içinde, maksimum 60° C de durulayın.
8. Tüm yıkama bujilerini solunum aparatından çıkarın.
9. Silindir valfini kapatın ve sistemdeki havayı boşaltmak için pozitif basıncı etkinleştirin.
10. Cihazı kurutun, en fazlası. 60° C.
11. Yüz maskesi ve solunum vanasını, yüz maskesi kullanım kılavuzunda verilen talimatlara göre temizleyin ve dezenfekte edin.

## **KUMAŞ PARÇALARIN SÖKÜLMESİ**

Kumaş parçalar, ayrı yıkanmak üzere sırtlıktan sökülebilir.

### Sökme

1. Hortumları omuz kayışlarından çıkarın. Bükülü D-halka'ların kısa ucunu çıkararak hortum kılıflarını açın, ya çırpıda açın
2. Tüp kayışını kancasını çıkarın.
3. Silindir kayışı tokasını çıkarın.
4. Tüp kayışını sırtlık ve omuz vatkasından çıkarın.
5. Omuz vatkasını sırtlıktan çıkarın. Kayışın katlı ucuna ulaşmak için omuz vatkasını kaldırın. Sırtlıktaki yuvaya sığacak şekilde katlı kayışı sarın ve yuvadan ittirin/ çekin [Şek. 20]. İşlemi bir sonraki kayış için tekrarlayın.
6. Sırtlıktan bel kayışının tamamını çıkarın. Bel kayışını "S" boyutuna kaydırın ve ayırma aletini (32009-51) sırtlıktaki raya [Şek. 21] bastırın. Alet hala yerindeyken bel kayışı tertibatını yukarı kaydırın ve sırtlıktan çıkarın.

### Montaj

1. Bel kayışı bağlantısını sırtlıktaki raya yerleştirin. Boy ayarlama tırnaklarını birbirine bastırın ve tüm bel kayışını rayda aşağı kaydırın.
2. Omuz vatkasını sırtlığa takın. Omuz vatkası kayışını sırtlıktaki yuvalardan geçirin. Her bir kayışın ucundaki katlı nokta, sırtlıkta boşluklarda olacaktır [Şek. 20].
3. Tüp kayışını, giyilmiş duruma göre sol taraftan takın. Tüp kayışını koşumun iç kısmından sırtlıktaki kirişin etrafında ilk yuvadan ve ikinci yuvadan geçirin. Omuz vatkasının arkasından kayıştan, (giyilmiş duruma göre sağdan ikinci) yuvadan ve kiriş çevresinden ve (giyilmiş duruma göre sağdan birinci) yuvadan geçirin [Şek. 22].
4. Tüp kayışı tokasını takın [Şek. 23].
5. Tüp kayışını sırtlıktaki dört halkadan takın [Şek. 7].
6. Hortumları hortum kılıflarına ve omuz vatkasına takın.

## 8 DEPOLAMA VE NAKLİYE

Serin, kuru ve tozsuz bir ortamda saklayın. Kauçuk parçaları doğrudan güneş ışığı, UV radyasyonu ve doğrudan ısıdan koruyun. Regülatör ünitesi bağlanmadığında, tüp vanasında daima bir koruyucu tapa bulunmalıdır.

Nakliye sırasında ürün orijinal ambalaj malzemesinin veya eşdeğer ambalaj malzemesinin içinde iyi korunmalıdır.

## 9 EK HAVA BAĞLANTISI

Bazı modellerde aşağıdakiler için kullanılabilen bir ek hava bağlantısı bulunur:

1. Bir kimyasal korumalı giysi havalandırma sistemine bağlamak için
2. İki cihaz arasında bir kurtarma hortumu bağlamak için
3. Ek bir maske bağlamak için
4. Yaşama döndürme maskesi Revitox veya EVAC tahliye başlığını bağlamak için
5. Cihaza harici bir hava kaynağından besleme sağlamak için



Yukarıdaki 1'den 4'e kadar olan adımlarda cihazdan hava alırken, hava tüketimi artar ve cihaz kullanım süresi kısalmaktadır.



Yukarıdaki 1'den 4'e kadar olan adımlarda cihazdan hava alırken çek valf açıcıya sahip özel bir dişi kaplin kullanılmalıdır. Bu cihaz, solunum cihazının erkek bağlantısındaki çek valfi açar.



Cihaza harici bir hava kaynağından besleme yaparken, bu tür bir dişi kaplin kullanılmamalıdır. Bu uygulamada erkek bağlantıdaki kaplin, harici kaynaktan hava beslemesinde kesinti olduğunda kapanabilmelidir.

## 10 HAVA HATTI SİSTEMİYLE KULLANIM

1. Bölüm, 2. Bölüm - "Tüp montajı - tek tüp" ve 3. - 12. Bölümler hava hattı sistemli kullanım için geçerlidir.

Hava hattı besleme hortumu, bel kayışının (takıldığında) sağ tarafındaki manifoldda yer alan erkek kapline bağlanır.

Hava hattı hortumundan sağlanan hava ile çalışırken, SCBA'daki tüp vanası kapatılmalıdır.

Hava hattı hortumundan gelen beslemenin kesilmesi halinde, SCBA tüp vanasını tamamen açın.

Tüp vanası açıldığında, kullanıcı tehlikeli alandan hemen ayrılmalıdır. Gerekirse hava hattı hortumunun bağlantısını kesin.

Tüp vanası açılmış olarak ve hava hattı beslemesi ile SCBA tüpü arasında otomatik geçişle birlikte kullanıldığında, aşağıdaki talimatlara uyulmalıdır.

1. SCBA basınç göstergesindeki basınç değerini okuyun ve not edin.
2. SCBA hızlı kaplinini hava hattı besleme hortumuna bağlayın. Besleme hortumundaki yüksek basınç, SCBA'dan beslemeyi kapatmalıdır.

3. İki dakika sonra, basınç göstergesinde görüntülenen basıncı tekrar okuyun. Geçen süre zarfında göstergede basınç düşüşü olmamalıdır. Bu kontrol, hava hattı hortumundaki yüksek basıncın SCBA tüpünden hava alınmasını önlediğini gösterecektir.
4. Tehlikeli ortamda kullanım sırasında, göstergedeki basıncı periyodik olarak kontrol edin ve bir azalma fark edilirse kullanmayı durdurun. Hava hattı hortumunu bağlantısını kesin ve yedek seti ve kaçış cihazını kullanarak güvenli bir alana çıkın.

## 11 İŞARETLER (ŞEK. 24)

### SIRTLIK ÜZERİNDEKİ ETİKET

- A. Üretici
- B. Model tanımlaması
- C. Seri numarası
- D. Avrupa standardı ve sınıflandırma
- E. Üretim yılı

## 12 SERVİS VE TEST PROGRAMI

Servis ve test işlemi 97307 numaralı Servis ve Test programına göre gerçekleştirilmelidir. Güncel revizyonlar için [www.interspiro.com](http://www.interspiro.com) adresini ziyaret edin.

### HER KULLANIMDAN SONRA:

1. Pozitif basıncı (varsa) kapatın.
2. Tüp vanasını tamamen açın ve basınç göstergesini okuyun.
3. Tüp vanasını kapatın.
4. Basıncın düşmediğini kontrol edin.
5. Silindir basıncını yavaşça düşürün ve düdüğün 55±5 bar'da ötmeye başladığını kontrol edin.



---

**INTERSPIRO**

---

Keeps You Breathing