



ENGLISH  
DEUTSCH  
FRANÇAIS  
SVENSKA  
NEDERLANDS  
ESPAÑOL  
ITALIANO

# Spiroscape

---

User Manual

95542N91  
2023-03

# TABLE OF CONTENTS - INNEHÅLLSFÖRTECKNING - INHALTSVERZEICHNIS - INHOUDSTAFEL - ÍNDICE-CONTEÚDO - INDICE

CAUTION AND LIMITATIONS .....	4
-------------------------------	---

## **ENGLISH - USER MANUAL ..... 7**

1	SAFETY NOTE .....	7
2	TECHNICAL DESCRIPTION .....	8
3	DONNING AND USE .....	8
4	AFTER USE .....	9
5	CHARGING THE CYLINDER WITH AIR .....	9
6	PACKING .....	10
7	CHECKS AND MAINTENANCE .....	10
8	STORAGE .....	11
9	PRODUCT MARKINGS .....	12
10	SPARE PARTS .....	13
11	DISPOSAL .....	13

## **DEUTSCH - BENUTZERHANDBUCH ..... 14**

1	SICHERHEITSHINWEIS! .....	14
2	TECHNISCHE BESCHREIBUNG .....	15
3	ANLEGEN UND VERWENDEN .....	15
4	NACH GEBRAUCH .....	16
5	FLASCHE MIT LUFT BEFÜLLEN .....	16
6	PACKEN .....	17
7	PRÜFUNGEN UND WARTUNG .....	18
8	LAGERUNG .....	18
9	PRODUKTKENNZEICHNUNG .....	19
10	ERSATZTEILE .....	20
11	ENTSORGUNG .....	20

## **FRANÇAIS - MODE D'EMPLOI ..... 21**

1	REMARQUE DE SECURITE .....	21
2	DESCRIPTION TECHNIQUE .....	22
3	ENFILAGE ET UTILISATION .....	22
4	APRES UTILISATION .....	23
5	REMPLIR LA BOUTEILLE AVEC DE L'AIR .....	23
6	EMBALLAGE .....	24
7	CONTROLES ET ENTRETIEN .....	24
8	STOCKAGE .....	25
9	MARQUAGE DU PRODUIT .....	26
10	PIECES DETACHEES .....	27
11	DISPOSITION .....	27

## **SVENSKA - ANVÄNDARHANDLEDNING ..... 28**

1	SÄKERHETSANVISNING .....	28
2	TEKNISK BESKRIVNING .....	29
3	PÅTAGNING OCH ANVÄNDNING .....	29
4	EFTER ANVÄNDNING .....	30
5	LUFTFYLLNING AV FLASKA .....	30
6	PACKNING .....	31
7	KONTROLLER OCH UNDERHÅLL .....	31
8	LAGRING .....	32
9	PRODUKTMÄRKNING .....	33
10	RESERVDELAR .....	34
11	AVFALLSHANTERING .....	34

## **NEDERLANDS - GEBRUIKERSHANDLEIDING ..... 35**

1	VEILIGHEIDSEISEN .....	35
2	TECHNISCHE SPECIFICATIES .....	36
3	OMDOEN EN GEBRUIKEN .....	36
4	NA GEBRUIK .....	37
5	DE FLES MET LUCHT VULLEN .....	37
6	OPBERGEN .....	38
7	CONTROLE EN ONDERHOUD .....	38
8	OPSLAG .....	39
9	PRODUCT MARKERINGEN .....	40
10	VERVANGINGSONDERDELEN .....	41
11	BESCHIKBAARHEID .....	41

## **ESPAÑOL - MANUAL DEL USUARIO ..... 42**

1	NOTA DE SEGURIDAD .....	42
2	DESCRIPCIÓN TÉCNICA .....	43
3	COLOCACIÓN Y USO .....	43
4	DESPUÉS DEL USO .....	44
5	CARGA DE LA BOTELLA CON AIRE .....	44
6	EMBALAJE .....	45
7	COMPROBACIONES Y MANTENIMIENTO .....	45
8	ALMACENAMIENTO .....	46
9	PRODUCTO MARCAS .....	47
10	REPUESTOS .....	48
11	DESECHO .....	48

## **ITALIANO - MANUALE DELL'UTENTE ..... 49**

1	INFORMATIVA SULLA SICUREZZA .....	49
2	DESCRIZIONE TECNICA .....	50
3	INDOSSAMENTO E USO .....	50
4	DOPO L'USO .....	51
5	RICARICA DELLA BOMBOLA CON ARIA .....	51
6	IMBALLAGGIO .....	52
7	CONTROLLI E MANUTENZIONE .....	52
8	MAGAZZINAGGIO .....	53
9	MARCATURE PRODOTTO .....	54
10	RICAMBI .....	55
11	DISPOSIZIONE .....	55



**INTERSPIRO, INC.**  
**31 BUSINESS PARK DRIVE, BRANFORD, CT 06405**  
**Phone (800) 468-7788**



**SPIROSCAPE**  
**OPEN-CIRCUIT, CONSTANT FLOW, ESCAPE**  
**SELF-CONTAINED BREATHING APPARATUS WITH HOOD**

THESE RESPIRATORS ARE APPROVED ONLY IN THE FOLLOWING CONFIGURATIONS:

TC #	SPIROSCAPE MODEL	PROTECTION (1)			RESPIRATOR COMPONENTS				CAUTIONS/LIMITATIONS (2)
		SC-ES	DURATION	CYLINDER PRESSURE	HOOD/HELY	CARRYING DEVICE	CYLINDER AND REGULATOR	REGULATOR	
					95380	95390	95370-11	95370-12	
13F-	SPIROSCAPE HP 10	SC-ES	10 MINUTE	3000 psi	X	X	X		JMNOS
13F-	SPIROSCAPE HP 15	SC-ES	15 MINUTE	3000 psi	X	X		X	JMNOS

**PROTECTION (1)**

SC-ES = SELF-CONTAINED FOR ESCAPE ONLY

**CAUTIONS & LIMITATIONS (2)**

J.Failure to properly use and maintain this product could result in injury or death.

M.All approved respirators shall be selected, fitted, used, and maintained in accordance with MSHA, OSHA, and other applicable regulations.

N.Never substitute, modify, add, or omit parts. Use only exact replacement parts in the configuration as specified by the manufacturer.

O.Refer to users instructions, and/or maintenance manuals for information on use and maintenance of these respirators.

## CAUTION AND LIMITATIONS

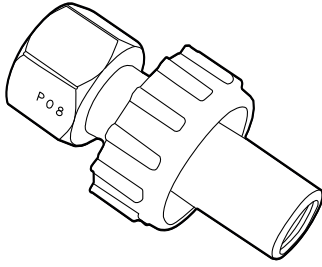
- J.** Failure to properly use and maintain this product could result in injury or death.
- M.** All approved respirators shall be selected, fitted, used, and maintained in accordance with MSHA, OSHA, and other applicable regulations.
- N.** Never substitute, modify, add, or omit parts. Use only exact replacement parts in the configuration as specified by the manufacturer.
- O.** Refer to users instructions, and/or maintenance manuals for information on use and maintenance of these respirators.
- S.** Special or critical users instructions and/or specific use limitations apply. Refer to instruction manual before donning.

Approved for respiratory protection during escape from oxygen deficient atmospheres, gases, and vapors at temperatures above -25 degrees C (-13 degrees F).

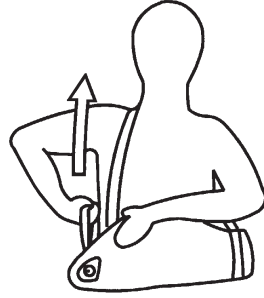
Approved only when compressed air reservoir is fully charged with air meeting the requirements of the Compressed Gas Association Specifications G-7-1 for Type 1 Grade D air or higher quality, as well as meeting a dew point level of -65°F (-54°C) or dryer (24ppm v/v or less), and a maximum particulate level of 5 mg/m<sup>3</sup>. The container shall meet applicable DOT specifications.

During donning, if the Spiroscape unit does not flow air when the quick start ring is pulled, open the cylinder valve handwheel manually to start the flow of air. Escape from the contaminated area immediately.

**1**



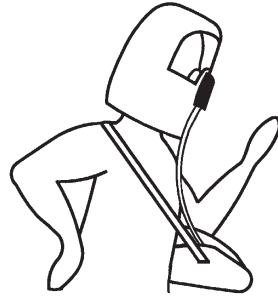
**2**



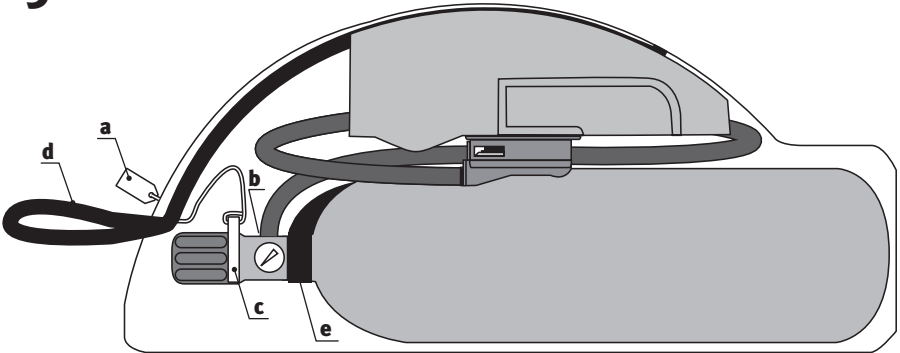
**3**



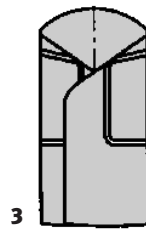
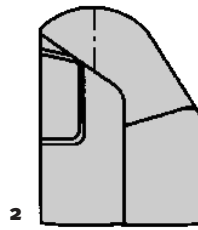
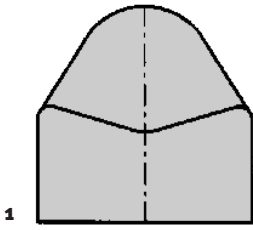
**4**



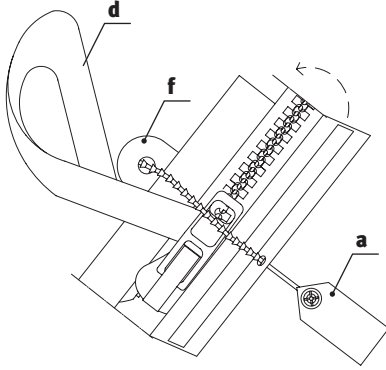
**5**



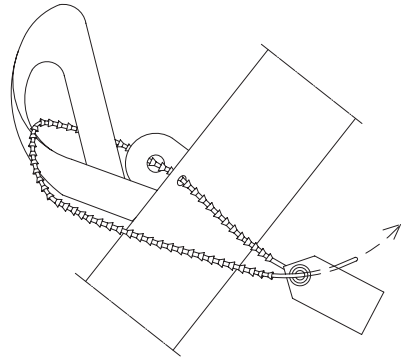
6



7



8



# SPIROSCOPE

## USER MANUAL

---

### 1 SAFETY NOTE



Read the following information carefully before you use Spiroscope.

Spiroscope is designed only to be used as an escape apparatus for emergency situations. It must not be used to enter toxic environments.

Spiroscope is not meant to be used for rescue or firefighting operations.

Spiroscope must not be used under water.

Spiroscope may only be used by adults who are in good physical and mental health.

Spiroscope is not designed for use in an explosive atmosphere.

Anyone who uses Spiroscope must have received training in its use and must have read and understood this user manual.

Always make sure that the evacuation time is less than Spiroscope's duration time.

If the anti-tamper seal is broken, the apparatus must be checked, charged with respiration air that conforms to the requirements set out in chapter 2, and fitted with a new anti-tamper seal. If the air flow does not start when the quick-start ring is removed, open the cylinder valve manually to start the air flow. Immediately leave the area where the air is not breathable.

Only holders of a valid Interspiro Service Certificate are allowed to carry out full servicing of Spiroscope.

Changes may be made to this document at any time without prior notice if they become necessary because of typographical errors, incorrect information or improvements or changes to the equipment.

Check [www.Interspiro.com](http://www.Interspiro.com) regularly for product updates, document updates and service bulletins.

The warranty undertakings specified in the sales conditions are not affected by this safety note.

## 2 TECHNICAL DESCRIPTION

This product, supplying breathing air to the user, has been tested in accordance with EN 1146, ISO 23269-1 & 42 CFR (NIOSH), and is to be used according local regulations.

Manufacturer:

Interspiro AB

Box 2853, 18728 Täby, Sweden.

Declaration of conformity is found here: [interspiro.com/en-gb/service-support/downloads/certificates-approvals](https://interspiro.com/en-gb/service-support/downloads/certificates-approvals)

Spiroscape provides a constant flow of breathable air for 15 minutes.

When the air ceases to flow, a valve opens automatically and the user can breathe the surrounding air without taking off the hood. This ensures that a user is not asphyxiated if they lose consciousness when the air supply runs out. By shutting off the air flow manually, a user can wear the hood during an exercise or in standby situations.

The air in the cylinder must meet the requirements of EN 12021, be free from oil and toxic substances and have a low humidity.

### 2.1 LIMITATIONS ACCORDING TO NIOSH (ONLY APPLICABLE TO THE USA)

Approved only when the compressed air cylinder is fully charged with air that meets the requirements of the Compressed Gas Association Specifications G-7-1 for Type 1, Grade D Air or higher quality, as well as having a dew point of  $-65^{\circ}\text{F}$  ( $-54^{\circ}\text{C}$ ) or drier (24 ppm v/v or less) and a particle level below 5 mg/m<sup>3</sup> of air.

### 2.2 AUTO-FILL ADAPTER

Interspiro's auto-fill adapter, see [figure 1], provides a quick and simple means of charging the cylinder. No tools are required. The adapter prevents the 200 bar cylinder from being charged to 300 bar.

Instructions for using the auto-fill adapter are given in chapter 5.

## 3 DONNING AND USE

**Check prior to use:** Check that the cylinder is fully charged and that the anti-tamper seal is unbroken. Check that no damage is visible.

1. Collect the Spiroscape from its storage location.
2. Place the neck strap over your head as shown in [figure 2].
3. With your right hand, distinctly pull the loop strap connected to the quick-start ring [ref d, figure 5] upwards; see [figure 2]. This is what happens when you pull the strap:
  1. The anti-tamper seal [ref a, figure 5] is broken.
  1. The quick-start ring [ref c, figure 5] is pulled away from the cylinder valve and the air starts to flow.
  1. The zipper opens (make sure that the zipper opens all the way).

---

**NOTE:** THE DURATION TIME OF THE APPARATUS STARTS NOW.

---



4. Push both your hands into the opening of the neck seal and pull the hood over your head; see [figure 3]. Adjust the hood so that it fits comfortably and so that you can see properly. Continue to breath normal.

---

**NOTE:** PERSONS WEARING GLASSES SHOULD PULL THE HOOD ON FORWARDS OVER THE HEAD, STARTING AT THE BACK OF THE NECK. STRETCH THE NECK SEAL OUT TO CLEAR YOUR GLASSES.  
IT IS NORMAL THAT THE HOOD CONTRACT AND INFLATES IN RYTHM WITH THE USERS BREATHING.

---

5. If necessary, adjust the length of the neck strap.
6. Begin the evacuation and leave the toxic environment immediately. See [figure 4].

## 4 AFTER USE

1. Check that the hood and hose has not been damaged. If the hood and hose is damaged, send it away for servicing or replace damaged parts.
2. Clean the inside of the visor and the outside of the outer hood with a soft cloth and mild disinfectant. Then wipe the parts dry with a soft cloth.

## 5 CHARGING THE CYLINDER WITH AIR

1. Connect the auto-fill adapter, see [figure 1], to the air supply or compressor via the charging hose.



---

**NOTE:** THE FILL ADAPTER MUST BE SUPPLIED WITH THE FULL CHARGING PRESSURE BEFORE THE SPIROSCAPE IS CONNECTED.

---

2. Break the anti-tamper seal [ref a, figure 5].
3. Open the Velcro fastener of the bag.
4. Open the zipper of the bag.
5. Uncover the cylinder valve knob.
6. Disconnect the air hose from the cylinder valve by removing the pin [ref b, figure 5]. To avoid losing the pin, refit it to the air hose.
7. Carefully attach the auto-fill adapter by hand. Turn it clockwise until air can be heard flowing, then turn it a quarter-turn further.
8. Charge the cylinder until the gauge shows full. Wait for the cylinder to cool down, then “top up” the cylinder until the gauge again shows full.

---

**NOTE:** IF THE AIR SUPPLY IS ACTIVATED DURING THE CHARGING PROCESS, TURN THE CYLINDER VALVE KNOB COUNTER-CLOCKWISE UNTIL THE AIR STOPS FLOWING.

---

9. Unscrew the auto-fill adapter.
10. Re-connect the air hose to the cylinder valve with the pin [ref b, figure 5].

---

**NOTE:** MAKE SURE THAT THE QUICK-START RING [REF D, FIGURE 5] IS NOT UNDER THE HOSE WHEN YOU RE-CONNECT THE HOSE.

---

11. Pack the Spiroscape as described in the instructions in chapter 6.

---

**NOTE:** SPIROSCAPE STORED WITHOUT AIR MIGHT LEAK DURING FILLING, IN THIS CASE FOLLOW THESE INSTRUCTIONS:

1. FILL THE CYLINDER SO THAT IT IS COMPLETELY FULL (200 OR 300 BAR OR 3000 PSI).
2. DISCONNECT THE FILLING ADAPTER
3. TURN THE HAND WHEEL CLOCKWISE UNTIL IT CLICKS THREE TIMES.

---

## 6 PACKING

1. Place the cylinder in the bag and firmly tighten the cylinder strap [ref e, figure 5].
2. Connect the air hose to the regulator and lock it with the pin [ref b, figure 5].
3. Position the loop strap with the quick-start ring [ref d, figure 5] outside the bag.
4. Sparingly apply talcum powder 460 190 130 (or another talcum powder) to the neck seal.
5. Pull the zipper about one-third closed.
6. Fold the hood as shown in [figure 6] and place it in the bag; see [figure 5].

---

**NOTE:** MAKE SURE THAT THE HOSE IS PLACED ON TOP OF THE CYLINDER AND NOT IS PINCHED BETWEEN THE CYLINDER AND THE BAG.

---

7. Position the strap with the quick-start ring [ref d, figure 5] on top of the hood, leaving the loop strap outside the bag.
8. Fit the quick-start ring [ref c, figure 5] to the cylinder valve. Turn the valve knob anticlockwise to the stop. Make sure that the knob is resting on the quick-start ring.
9. Close the zipper.

---

**NOTE:** THE ZIPPER SLIDER MUST GO ALL THE WAY TO THE END POSITION. THIS IS SO THAT THE ZIPPER CAN BE OPENED WITHOUT USING THE SLIDER, BY PULLING THE LOOP STRAP [REF D, FIGURE 5].

---

10. Make sure that the pressure gauge can be read through the window on the bag (the hood should not be visible).
11. Position the loop strap as shown [ref d, figure 7]. Pull the anti-tamper seal [ref a, figure 7] through the small hole in the bag and the small ring [ref f, figure 7]. Secure the anti-tamper seal as shown in [figure 8].

## 7 CHECKS AND MAINTENANCE

### 7.1 MONTHLY

Check that the cylinder is fully charged and that the anti-tamper seal is unbroken.

## 7.2 ANNUALLY

### Visual check

Check that there has been no mechanical or chemical damage to the following parts:

- Bag, straps and quick-start ring.
- Air hose, hose couplings and O-rings. Hoses that have lost their flexibility must be replaced.
- Outer and inner hood, neck seal and inner mask, including the two snap rings that secure the inner mask and valve.
- Sparingly apply talcum powder 460 190 130 (or another talcum powder) to the neck seal at least once a year or as necessary.
- Cylinder valve, regulator and pressure gauge.
- Check that the cylinder has been tested according to national standards.
- Check the manufacturing date of the hoses. Older plastic hoses with no date should be replaced. Newer hoses with manufacturing date shall be replaced after 15 years. The marking is made according to IS YYYY, IS=interspiro, YY=Year, XX=batch number.

### Function check

In addition to the visual check described above, Spiroscape must be tested to ensure that the apparatus is working properly. To check this, start Spiroscape in exactly the same way as for normal use and check that the duration time is at least 15 minutes and 20 minutes at the maximum. During the test, the pressure gauge indicator should drop from full to empty.

When checking and testing is complete, charge the cylinder as described in chapter 5 and fit the anti-tamper seal as described in chapter 6.



**NOTE:** IF THERE ARE ANY SIGNS OF DAMAGE OR IF THE APPARATUS DOES NOT WORK PROPERLY, SEND THE APPARATUS FOR SERVICING OR REPLACE ANY PARTS THAT NEED TO BE REPLACED.

---

Keep a record of the checking and testing of the Spiroscape. State the date and the serial number stamped on the cylinder valve.

## 8 STORAGE

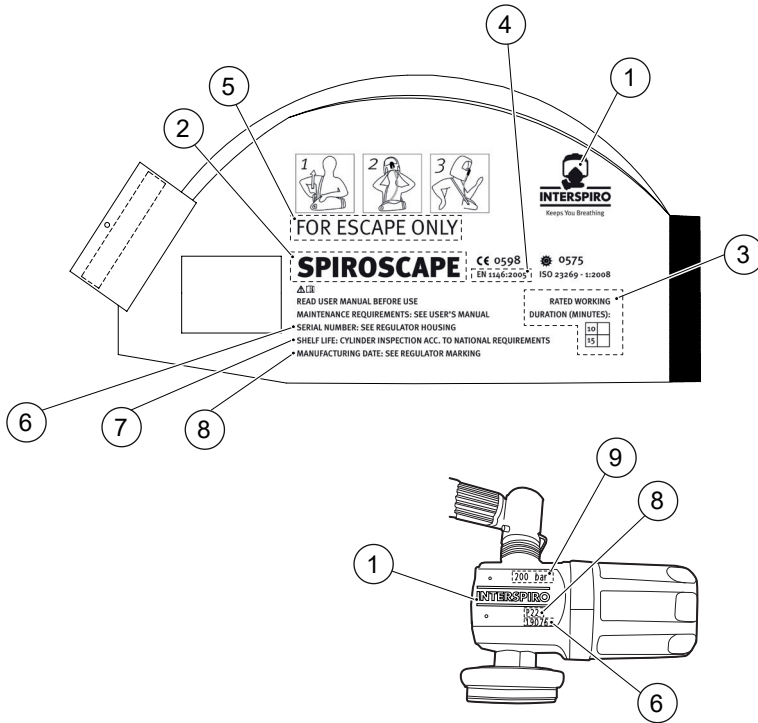
Store in a cool, dry and dust-free environment. Protect against direct sunlight, UV radiation and direct heat.

During transport the product must be well protected inside the original packaging material or equivalent packaging material.

### Shelf life

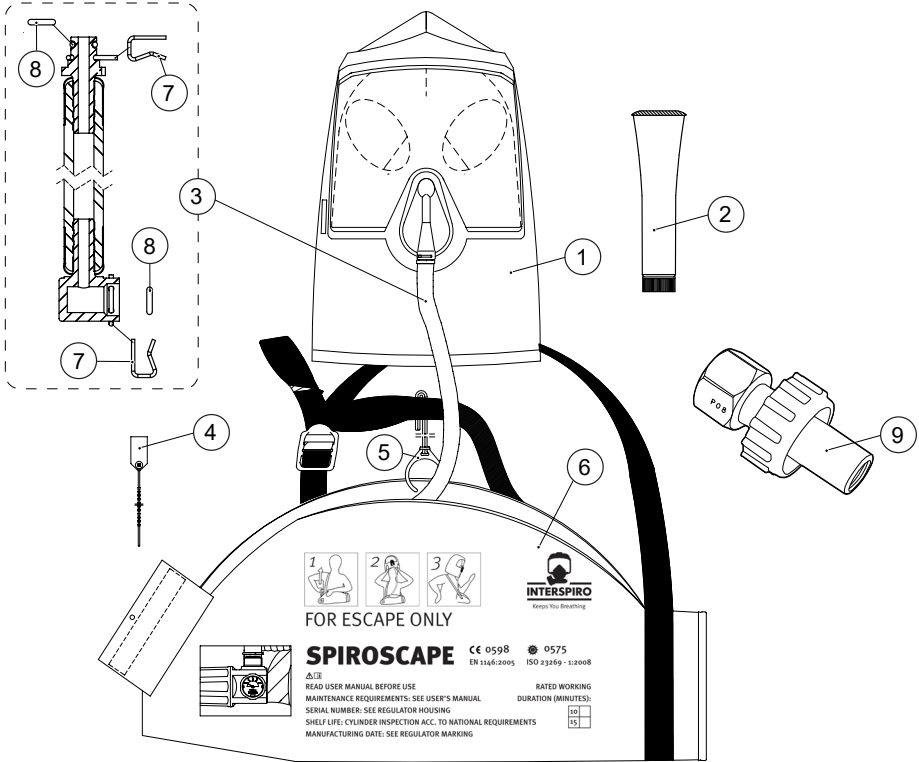
If stored for more than one year, the Spiroscape must undergo an annual check before it can be put back in use.

## 9 PRODUCT MARKINGS



#	DESCRIPTION
1	Manufacturer
2	Model designation
3	Rated duration time
4	Product standard and revision
5	Field of application
6	Serial number marking
7	Shelf life information
8	Manufacturing year
9	Cylinder filling pressure

## 10 SPARE PARTS



#	Ordering no.	DESCRIPTION	NOTE
1	460 190 121	Hood assembly without hose	
2	460 190 130	Talcum powder	
3	460 190 124	Hose with U-clips and O-rings	
4	460 190 123	Anti-tamper seal	5 x 95378
5	460 190 127	Quickstart ring	10 x 95324
6	460 190 122	Bag for Spiroscape	
7	460 190 126	Locking pin	10 x 95531-01
8	460 190 125	O-ring for hose connection	10 x 95534
9	95 360-02	Auto-fill adapter	
9	95 360-04	Auto-fill adapter with CGA connection (US standard)	

## 11 DISPOSAL

The product should be disposed of in an environmentally responsible manner that complies with the applicable laws and regulations.

# SPIROSCAPE

## BENUTZERHANDBUCH

---

### 1 SICHERHEITSHINWEIS!



Lesen Sie die folgenden Informationen aufmerksam durch, bevor Sie das Spiroscape benutzen.

Spiroscape ist ein Atemschutzgerät zur Selbstrettung in Notfällen. Es darf nicht für das Betreten toxischer Umgebungen verwendet werden.

Spiroscape ist nicht für Rettungs- oder Feuerlöscheinsätze geeignet.

Spiroscape darf nicht unter Wasser eingesetzt werden.

Spiroscape sollte nur von gesunden Erwachsenen in guter körperlicher und geistiger Verfassung verwendet werden.

Spiroscape ist nicht für den Einsatz in einer explosionsgefährdeten Atmosphäre ausgelegt.

Jeder Benutzer eines Spiroscape sollte eine vollständige Unterweisung über den Gebrauch erhalten haben und das vorliegende Handbuch gelesen und verstanden haben, bevor er das Gerät einsetzt.

Die Evakuierungszeit muss immer kürzer sein als die Einsatzzeit von Spiroscape.

Sollte die Plombe beschädigt sein, muss das Gerät überprüft und erneut mit Atemluft, die der in Kapitel 2 definierten Anforderungen entspricht, gefüllt und eine neue Plombe angebracht werden.

Wenn der Luftstrom nicht zu fließen beginnt, sobald der Schnellstarttring gezogen wird, muss das Flaschenventil manuell geöffnet werden, um den Luftstrom zu starten. Verlassen Sie sofort den Bereich, in dem die Luft nicht eingeatmet werden darf.

Nur Inhaber einer gültigen Interspiro-Service-Karte dürfen Spiroscape-Einheiten vollständig warten und testen.

Änderungen an diesem Dokument aufgrund von Schreibfehlern, Ungenauigkeit der vorliegenden Informationen oder Verbesserungen bzw. Änderungen der Geräte sind jederzeit ohne Vorankündigung möglich. Neuigkeiten zu Produkten, Dokumenten und Serviceangeboten finden Sie regelmäßig unter [www.Interspiro.com](http://www.Interspiro.com). Die Garantieangaben in den Verkaufsbedingungen bleiben von diesem Sicherheitshinweis unberührt.

## 2 TECHNISCHE BESCHREIBUNG

Dieses Produkt, das dem Benutzer Atemluft zuführt, wurde gemäß EN 1146, ISO 23269-1 & 42 CFR (NIOSH) getestet und ist gemäß den örtlichen Vorschriften zu verwenden.

Hersteller:

Interspiro AB

Box 2853, 18728 Täby, Schweden.

Die Konformitätserklärung finden Sie hier: [interspiro.de/de-de/service-support/downloads/zertifikate-zulassungen](https://interspiro.de/de-de/service-support/downloads/zertifikate-zulassungen)

Spiroscape bietet eine konstante Versorgung mit Atemluft für 15 Minuten.

Wenn die Luft nicht mehr fließt, öffnet sich automatisch ein Ventil und der Benutzer kann Umgebungsluft einatmen, ohne die Haube abnehmen zu müssen. So ist sichergestellt, dass der Benutzer nicht erstickt, wenn er das Bewusstsein verliert und die Luftversorgung aus der Flasche nicht mehr gewährleistet ist. Weil die Luftversorgung manuell abgeschaltet werden kann, ist es dem Benutzer möglich, die Haube in einer Übung oder bereits bei der Einsatzvorbereitung zu tragen.

Die Luft in den Flaschen muss die Anforderungen von EN 12021 erfüllen, frei von Öl und toxischen Substanzen sein und einen niedrigen Feuchtigkeitsgehalt haben.

### 2.1 EINSCHRÄNKUNGEN GEMÄSS NIOSH (NUR USA)

Nur zugelassen, wenn die Druckluftflasche vollständig mit Luft befüllt ist, die mindestens den Anforderungen der "Gas Association Specifications G-7-1 for Type 1, Grade D Air" entspricht, einen Taupunkt von  $-54\text{ °C}$  ( $-65\text{ °F}$ ) hat oder trockener ist (max. 24 ppm v/v) und einen Partikelgehalt von unter 5 mg/m<sup>3</sup> Luft aufweist.

### 2.2 AUTOFÜLLADAPTER

Der Autofülladapter von Interspiro (siehe Abb. 1) bietet eine einfache Art, die Flasche zu befüllen. Werkzeug ist nicht erforderlich. Der Adapter verhindert, dass 300 bar in eine 200-bar-Flasche gefüllt werden.

Kapitel 5 enthält Anweisungen zum Autofülladapter.

## 3 ANLEGEN UND VERWENDEN

**Vor Gebrauch prüfen:** Überprüfen Sie, ob die Flasche vollständig gefüllt ist und ob das Siegel unversehrt ist. Prüfen Sie, dass keine Schäden sichtbar sind.

1. Holen Sie Spiroscape aus dem Aufbewahrungsort.
2. Legen Sie den Halsgurt über Ihrem Kopf (siehe Abb. 2).
3. Ziehen Sie mit der rechten Hand die am Schnellstartring (Abb. 5) befestigte Schlaufe nach oben (siehe Abb. 2). Wenn Sie den Schnellstartring ziehen, geschieht Folgendes:
  - 1 Die Plombe (Abb. 5) wird zerstört.
  - 1 Der Schnellstartring (siehe Abb. 5) wird vom Flaschenventil weggezogen, und die Luft beginnt zu fließen.
  - 1 Der Reißverschluss öffnet sich. Stellen Sie sicher, dass er komplett offen ist.

---

**HINWEIS:** JETZT BEGINNT DIE BETRIEBSDAUER DER EINHEIT.

---

4. Schieben Sie Ihre Hände in die Öffnung der Nackendichtung und ziehen Sie die Haube über Ihren Kopf (siehe Abb. 3). Justieren Sie die Haube so, dass sie bequem sitzt und Sie korrekt sehen können. Atmen Sie normal weiter.

---

**HINWEIS:** PPERSONER, DIE BRILLENTRÄGER SIND, SOLLTEN DIE HAUBE VON HINTEN NACH VORN ÜBER DEN KOPF ZIEHEN, UM SIE AUFZUSETZEN. ZIEHEN SIE DIE NACKENDICHTUNG NACH AUSSEN, UM DEN BESCHLAG VON DER BRILLE ZU ENTFERNEN. ES IST NORMAL, DASS SICH DIE HAUBE IM RHYTHMUS DER ATMUNG DES BENUTZERS ZUSAMMENZIEHT UND AUFBLÄST.

---

5. Falls erforderlich, verändern Sie die Länge des Halsgurtes.
6. Beginnen Sie mit der Evakuierung, und verlassen Sie sofort die toxische Umgebung (siehe Abb. 4).

## 4 NACH GEBRAUCH

1. Prüfen Sie, daß die Haube und/oder der Schlauch nicht beschädigt wurden. Wenn die Haube und/oder der Schlauch beschädigt sind, senden Sie sie/ihn zur Reparatur ein oder tauschen Sie die beschädigten Teile.
2. Reinigen Sie die Innenseite der Sichtscheibe und die Außenseite der äußeren Haube mit einem weichen Tuch und einem milden Desinfektionsmittel. Wischen Sie danach die Teile mit einem weichen Tuch trocken.

## 5 FLASCHE MIT LUFT BEFÜLLEN

1. Verbinden Sie den Autofülladapter (Abb. 1) über den Befüllschlauch mit der Druckluftversorgung oder dem Kompressor.



---

**HINWEIS:** THE FILL ADAPTER MUST BE SUPPLIED WITH THE FULL CHARGING PRESSURE BEFORE THE SPIROSCOPE IS CONNECTED.

---

2. Öffnen Sie die Plombe (Ref. a, Abb. 5).
3. Öffnen Sie den Klettverschluss der Tasche.
4. Öffnen Sie den Reißverschluss der Tasche.
5. Legen Sie den Knopf des Flaschenventils frei.
6. Trennen Sie den Luftschlauch vom Flaschenventil, indem Sie den Stift (Ref. b, Abb. 5) abnehmen. Um den Stift nicht zu verlieren, bringen Sie ihn wieder am Schlauch an.
7. Schrauben Sie den Autofülladapter vorsichtig von Hand an. Drehen Sie ihn im Uhrzeigersinn, bis der Luftstrom zu hören ist; drehen Sie ihn danach noch um eine viertel Drehung weiter.
8. Befüllen Sie die Flasche, bis die Anzeige auf voll steht. Warten Sie, bis die Flasche abgekühlt ist, und befüllen Sie sie dann, bis die Anzeige auf voll steht.

---

**HINWEIS:** WENN DIE LUFTZUFUHR WÄHREND DES BEFÜLLUNGSPROZESSES AKTIVIERT WIRD, DREHEN SIE DEN KNOPF DES FLASCHENVENTIL ENTGEGEN DEM UHRZEIGERSINN, BIS DER LUFTSTROM VERSIEGT.

---



9. Schrauben Sie den Autofülladapter ab.
10. Schließen Sie den Luftschlauch mit dem Stift (Ref. b, Abb. 5) wieder am Flaschenventil an.

---

**HINWEIS:** STELLEN SIE SICHER, DASS SICH DER SCHNELLSTARTRING (SIEHE REF. D, ABB. 5) NICHT UNTER DEM SCHLAUCH BEFINDET, WENN SIE DEN SCHLAUCH ANSCHLIESSEN.

---

11. Verpacken Sie das Spiroscape wie in Kapitel 6 beschrieben.

---

**HINWEIS:** IN SPIROSCAPE, DAS OHNE LUFT GELAGERT WURDE, KANN WÄHREND DES BEFÜLLENS LECKEN. BEFOLGEN SIE IN DIESEM FALL DIE FOLGENDEN ANWEISUNGEN:

1. FÜLLEN SIE DIE FLASCHE SO, DASS SIE VOLLSTÄNDIG GEFÜLLT IST (200 ODER 300 BAR ODER 3000 PSI).
  2. TRENNEN SIE DEN FÜLLADAPTER.
  3. DREHEN SIE DAS HANDRAD IM UHRZEIGERSINN, BIS ES NACH DREI MAL EINRASTET.
- 

## 6 PACKEN

1. Legen Sie die Flasche in die Tasche und ziehen Sie den Flaschengurt fest (Ref. e, Abb. 5).
2. Schließen Sie den Luftschlauch wieder am Druckminderer an, und arretieren Sie ihn mit dem Stift (siehe b, Abb. 5).
3. Platzieren Sie die Schlaufe mit dem Schnellstartring (Ref. b, Abb. 5) außerhalb der Tasche.
4. Tragen Sie ein wenig Talkumpuder 460 190 130 (oder ein anderes Talkumpuder) auf die Nackendichtung auf.
5. Ziehen Sie den Reißverschluss etwa ein Drittel zu.
6. Falten Sie die Haube wie in Abb. 6 gezeigt, und legen Sie sie in die Tasche (siehe Abb. 5).

---

**HINWEIS:** VERSICHERN SIE SICH, DASS DER SCHLAUCH OBEN AN DER FLASCHE PLATZIERT IST UND NICHT ZWISCHEN FLASCHE UND TASCHE EINGEKLEMMT IST

---

7. Positionieren Sie den Gurt mit dem Schnellstartring (Ref. b, Abb. 5) oben auf der Haube, lassen Sie die Schlaufe außerhalb der Tasche.
8. Setzen Sie den Schnellstartring (Ref. c, Abb. 5) auf das Flaschenventil. Ventilknopf entgegen dem Uhrzeiger bis zum Stopp drehen. Der Knopf muss auf dem Schnellstartring liegen.
9. Schließen Sie den Reißverschluss.

---

**HINWEIS:** DER REISSVESCHLUSSSCHIEBER MUSS BIS ZUR ENDPOSITION GESCHOBEN WERDEN. NUR DANN KANN DER REISSVESCHLUSS OHNE DEN SCHIEBER SCHNELL MIT DEM SCHNELLSTARTRING (REF D, ABB. 5) GEÖFFNET WERDEN.

---

10. Stellen Sie sicher, dass das Manometer durch das Fenster in der Tasche ablesbar ist (die Haube darf nicht sichtbar sein).
11. Positionieren Sie den Schnellstartring wie in Ref d, Abb. 7 gezeigt. Ziehen Sie den Draht der Plombe (Ref. a, Abb. 7) durch das kleine Loch in der Tasche und den kleinen Ring (Ref f, Abb. 7). Befestigen Sie die Plombe wie in Abb. 8 gezeigt.

## 7 PRÜFUNGEN UND WARTUNG

### 7.1 MONATLICH

Stellen Sie sicher, dass die Flasche vollständig befüllt und die Plombe unbeschädigt ist.

### 7.2 JÄHRLICH

#### Sichtprüfung

Stellen Sie sicher, dass keine mechanischen oder chemischen Schäden an folgenden Teilen aufgetreten sind:

- Tasche, Gurte und Schnellstartring.
- Luftschlauch, Kupplungen und O-Ringe. Schläuche, die ihre Flexibilität verloren haben, müssen erneuert werden.
- Äußere und innere Haube, Nackendichtung, sowie die beiden Einschnappringe, die die innere Maske und das Ventil sichern.
- Falls erforderlich, aber mindestens einmal pro Jahr, tragen Sie ein wenig Talkumpuder 460 190 130 (oder ein anderes Talkumpuder) auf die Nackendichtung auf.
- Flaschenventil, Druckminderer und Manometer.
- Stellen Sie sicher, dass die Druckluftflasche gemäß der national geltenden Standards getestet wurde.
- Überprüfen Sie das Herstellungsdatum der Schläuche. Ältere Kunststoffschläuche ohne Datum sollten ersetzt werden. Neuere Schläuche mit Herstellungsdatum sind nach 15 Jahren auszutauschen. Die Kennzeichnung erfolgt nach IS YYXX, IS=interspiro, YY=Year, XX=Chargennummer.

#### Funktionsprüfung

Zusätzlich zu der oben beschriebenen Sichtprüfung muss die korrekte Funktion von Spiroscape getestet werden. Um dies zu Prüfen, schalten Sie das Spiroscape ein, genau wie zum normalen Gebrauch und prüfen Sie, dass die Dauer mindestens 15 Minuten und maximal 20 Minuten beträgt. Während des Tests muss die Anzeige des Manometers von Voll auf Leer fallen.

Wenn Prüfungen und Tests abgeschlossen sind, befüllen Sie die Flasche wie in Kapitel 5 beschrieben, und bringen Sie die Plombe wie in Kapitel 6 beschrieben wieder an.



**HINWEIS:** EI ANZEICHEN VON BESCHÄDIGUNGEN ODER WENN DAS GERÄT NICHT KORREKT ARBEITET, SENDEN SIE ES ZUR WARTUNG EIN ODER ERSETZEN SIE ALLE TEILE, DIE AUSGETAUSCHT WERDEN MÜSSEN.

---

Erstellen Sie nach Prüfung oder Test von Spiroscape einen entsprechenden Bericht. Geben Sie das Datum und die Seriennummer des Flaschenventils an.

## 8 LAGERUNG

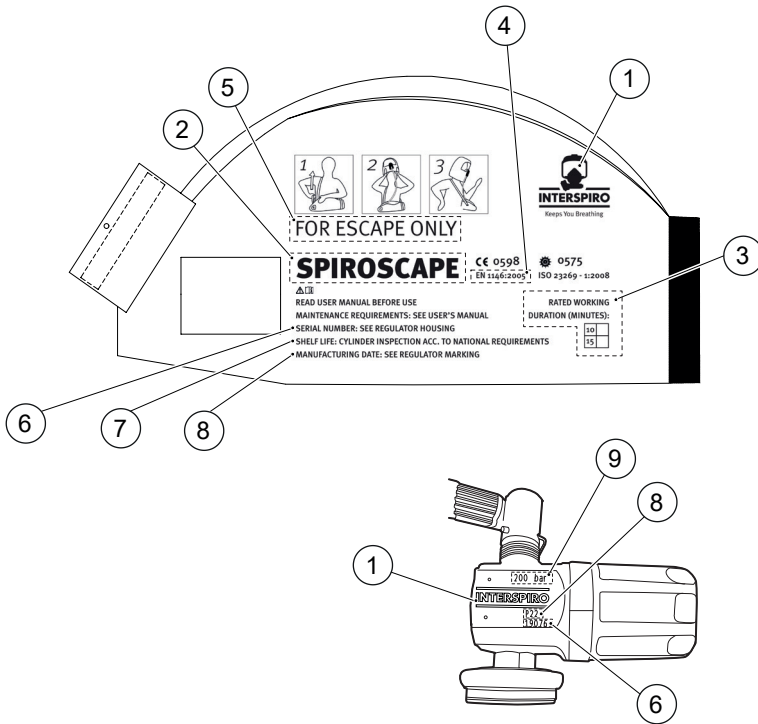
Kühl, trocken und staubfrei lagern. Vor direkter Sonneneinstrahlung, UV-Strahlung und direkter Hitze schützen.

Während des Transports muss das Produkt in der Originalverpackung oder einem gleichwertigen Verpackungsmaterial gut geschützt sein.

#### Haltbarkeit

Bei einer Lagerung von mehr als einem Jahr muss das Spiroscape jährlich überprüft werden, bevor es wieder verwendet werden kann.

## 9 PRODUKTKENNZEICHNUNG

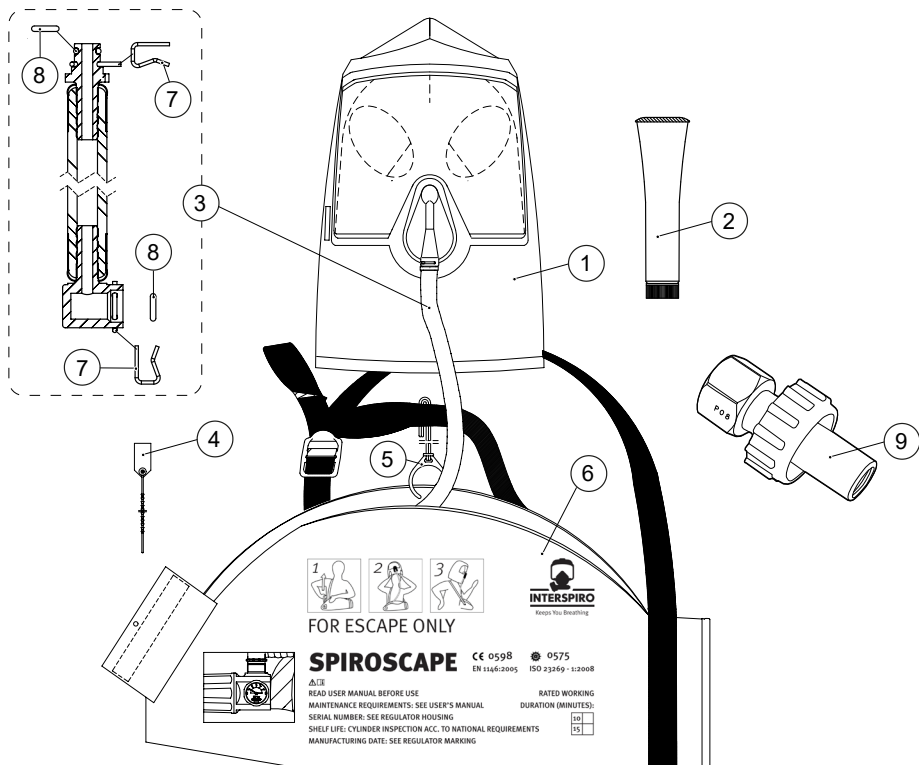


#

### BESCHREIBUNG

- |   |                                |
|---|--------------------------------|
| 1 | Hersteller                     |
| 2 | Modellbezeichnung              |
| 3 | Nenndauer Zeit                 |
| 4 | Produktnorm und Revision       |
| 5 | Anwendungsbereich              |
| 6 | Kennzeichnung der Seriennummer |
| 7 | Informationen zur Haltbarkeit  |
| 8 | Herstellungsjahr               |
| 9 | Fülldruck der Flasche          |

## 10 ERSATZTEILE



#	Bestellnr.	BESCHREIBUNG	HINWEIS
1	460 190 121	Haube ohne Schlauch	
2	460 190 130	Talkumpuder	
3	460 190 124	Schlauch mit U-Clips und O-Ringen	
4	460 190 123	Plombe	5 x 95378
5	460 190 127	Schnellstarttring	10 x 95324
6	460 190 122	Tragetasche (Standard)	
7	460 190 126	Stift	10 x 95531-01
8	460 190 125	O-Ringe	10 x 95534
9	95 360-02	Autofülladapter	
9	95 360-04	Autofülladapter mit CGA-Anschluss (US-Standard)	

## 11 ENTSORGUNG

Das Produkt sollte umweltgerecht und gemäß den geltenden Gesetzen und Vorschriften entsorgt werden.

# SPIROSCAPE

## MODE D'EMPLOI

---

### 1 REMARQUE DE SECURITE



Veillez lire les informations suivantes avec attention avant d'utiliser le Spiroscape.

Spiroscape est conçu uniquement pour être utilisé comme un appareil d'évacuation dans les situations d'urgence. Il ne doit pas être utilisé pour entrer dans des environnements toxiques.

Spiroscape n'est pas conçu pour être utilisé lors des opérations de sauvetage et de lutte contre les incendies.

Spiroscape ne doit pas être utilisé sous l'eau.

Spiroscape ne peut être utilisé que par des adultes en bonne condition physique et mentale.

Spiroscape n'est pas conçu pour être utilisé dans une atmosphère explosive.

Toute personne utilisant le Spiroscape devrait avoir suivi auparavant une formation sur son utilisation et doit avoir lu et compris ce mode d'emploi.

Veillez toujours vous assurer que le temps nécessaire d'évacuation est inférieur à la durée du Spiroscape.

Si le plomb est brisé, l'appareil doit être contrôlé et rempli d'air respirable conforme aux exigences définies au chapitre 2. Il doit ensuite être équipé d'un nouveau plomb.

Si l'écoulement d'air ne se déclenche pas lorsque vous tirez sur la bague de démarrage rapide, ouvrez le robinet de la bouteille manuellement pour déclencher l'écoulement d'air. Quittez immédiatement la zone où l'air n'est pas respirable.

Seuls les détenteurs d'un certificat de service Interspiro valide sont autorisés à effectuer une maintenance complète du Spiroscape.

Ce document peut être modifié à tout moment sans avis préalable, si cela s'avère nécessaire en raison d'erreurs typographiques, d'informations incorrectes ou d'améliorations/de modifications apportées à l'équipement.

Consultez régulièrement le site [www.Interspiro.com](http://www.Interspiro.com) pour découvrir les mises à jour de nos produits, les mises à jour des documents ainsi que les messages relatifs à l'entretien de nos appareils.

La garantie définie dans les conditions de vente n'est pas affectée par cette note de sécurité.

## 2 DESCRIPTION TECHNIQUE

Ce produit, qui fournit de l'air respirable à l'utilisateur, a été testé conformément à EN 1146, ISO 23269-1 & 42 CFR (NIOSH) et doit être utilisé conformément à la réglementation locale.

Fabricant:

Interspiro AB

Boîte 2853, 18728 Täby, Suède.

La déclaration de conformité se trouve ici: [interspiro.com/en-gb/service-support/downloads/certificates-approvals](https://interspiro.com/en-gb/service-support/downloads/certificates-approvals)

Le Spiroscape fournit un écoulement constant d'air respirable pendant 15 minutes.

Lorsque l'air cesse de s'écouler, une vanne s'ouvre automatiquement et l'utilisateur peut respirer l'air ambiant sans retirer le casque. Cela évite toute asphyxie de l'utilisateur s'il perd conscience lors de l'arrêt de l'alimentation en air. En arrêtant manuellement le débit d'air, l'utilisateur peut porter le casque lors d'un exercice ou lors de la préparation à l'intervention.

L'air contenu dans les bouteilles doit répondre aux exigences de la norme EN 12021, ne pas contenir d'huile et de substances toxiques et présenter une faible humidité.

### 2.1 LIMITES IMPOSEES PAR L'INSTITUT POUR NIOSH (APPLICABLES UNIQUEMENT AUX USA)

Uniquement homologué lorsque la bouteille d'air comprimé est entièrement remplie d'air répondant aux exigences de la Compressed Gas Association G-7-1 pour l'air de type 1, classe D ou de qualité supérieure, ayant également un point de rosée de  $-65^{\circ}\text{F}$  ( $-54^{\circ}\text{C}$ ) ou plus sec (24 ppm v/v ou moins) et un niveau de particules inférieur à 5 mg/m<sup>3</sup> d'air.

### 2.2 ADAPTATEUR DE REMPLISSAGE AUTOMATIQUE

L'adaptateur de remplissage automatique Interspiro, voir Illustration 1, fournit un moyen simple et rapide de remplir la bouteille. Aucun outil n'est nécessaire. L'adaptateur évite le chargement à 300 bar d'une bouteille 200 bar.

Vous trouverez les instructions sur l'utilisation de l'adaptateur de remplissage automatique au chapitre 5.

## 3 ENFILAGE ET UTILISATION

**Vérifier avant utilisation:** Vérifiez que la bouteille est complètement chargée et que le sceau anti-effraction n'est pas brisé. Vérifiez qu'aucun dommage n'est visible.

1. Retirez le Spiroscape de l'endroit où il est stocké.
2. Faites passer la bandoulière par dessus votre tête comme indiqué au schéma [Illustration 2].
3. Avec votre main droite, tirez distinctement la dragonne reliée à la bague de démarrage rapide [réf d, Illustration 5] vers le haut; voir [Illustration 2]. Voici ce qui se passe lorsque vous tirez sur la bague de démarrage rapide :
  - l Le plomb [réf a, Illustration 5] se rompt.
  - l La bague de démarrage rapide [réf c, Illustration 5] s'éloigne du robinet de la bouteille et l'air commence à s'écouler.
  - l La fermeture éclair s'ouvre (assurez-vous qu'elle s'ouvre entièrement).

---

**REMARQUE:** LE TEMPS D'UTILISATION DE L'APPAREIL COMMENCE ALORS A S'ÉCOULER.

---

4. Mettez vos mains dans l'ouverture du manchon pour col et tirez le casque sur votre tête, voir [Illustration 3]. Ajustez le casque de manière à ce qu'il soit confortablement en place et de manière à ce que vous puissiez voir correctement. Continuez à respirer normalement.

---

**REMARQUE:** LES PERSONNES QUI PORTENT DES LUNETTES DOIVENT METTRE LE CASQUE SUR LEUR TÊTE EN LE TIRANT VERS L'EXTÉRIEUR, EN COMMENÇANT À L'ARRIÈRE DU COU. ECARTEZ LE MANCHON POUR COL AFIN DE FAIRE PASSER VOS LUNETTES SANS TOUCHER. IL EST NORMAL QUE LA CAGOULE SE CONTRACTE ET SE GONFLE AU RYTHME DE LA RESPIRATION DE L'UTILISATEUR.

---

5. Si nécessaire, ajustez la longueur de la bandoulière.
6. Commencez l'opération d'évacuation puis quittez immédiatement l'environnement toxique. Voir [Illustration 4].

## 4 APRES UTILISATION

1. Contrôler si la cagoule et le tuyau n'ont pas été endommagés. Si le tuyau et la cagoule sont endommagés, envoyez le pour un service ou remplacez les pièces endommagées.
2. Nettoyez l'intérieur de la visière et l'extérieur du casque extérieur avec un chiffon doux et un désinfectant léger. Essuyez ensuite les pièces pour les sécher avec un chiffon doux.

## 5 REMPLIR LA BOUTEILLE AVEC DE L'AIR

1. Relier l'adaptateur de remplissage automatique, voir [Illustration 1], sur l'alimentation en air ou le compresseur via le flexible de remplissage.



---

**REMARQUE:** L'ADAPTATEUR DE REMPLISSAGE DOIT ÊTRE ALIMENTÉ À LA PRESSION DE REMPLISSAGE TOTALE AVANT D'ÊTRE UTILISÉ POUR REMPLIR LE SPIROSCAPE.

---

2. Rompre le plomb [réf a, Illustration 5].
3. Ouvrir la fermeture à molette du sac.
4. Ouvrir la fermeture éclair du sac.
5. Retirer le bouton du robinet de la bouteille.
6. Débrancher le tuyau à air du robinet de la bouteille en retirant la goupille [réf b, Illustration 5]. Pour éviter de perdre la goupille, la remettre en place sur le tuyau à air.
7. Visser avec précautions l'adaptateur de remplissage automatique à la main. Le tourner dans le sens des aiguilles d'une montre jusqu'à ce que vous entendiez de l'air s'écouler puis le tourner d'un quart de tour supplémentaire.
8. Charger la bouteille jusqu'à ce que la jauge indique qu'elle est pleine. Attendre que la bouteille refroidisse puis compléter le remplissage de la bouteille jusqu'à ce que la jauge indique qu'elle est pleine.

---

**REMARQUE:** SI L'ALIMENTATION EN AIR EST ACTIVE PENDANT LE CHARGEMENT, TOURNER LA POIGNEE DU ROBINET DE LA BOUTEILLE DANS LE SENS INVERSE DES AIGUILLES D'UNE MONTRE JUSQU'À CE QUE L'AIR ARRÊTE DE S'ÉCOULER.

---

9. 9. Dévisser l'adaptateur de remplissage automatique.
10. Rebrancher le tuyau à air sur le robinet de la bouteille avec la goupille [réf b, Illustration 5].

---

**REMARQUE:** ASSUREZ-VOUS QUE LA BAGUE DE DEMARRAGE RAPIDE [REF D, ILLUSTRATION 5] N'EST PAS SOUS LE TUYAU LORSQUE VOUS REBRANCHEZ LE TUYAU.

---

11. Emballez le Spiroscape en suivant les instructions du chapitre 6.

---

**REMARQUE:** SPIROSCAPE STOCKÉ SANS AIR PEUT FUIR PENDANT LE REMPLISSAGE. DANS CE CAS, SUIVEZ CES INSTRUCTIONS:

1. REMPLISSEZ LA BOUTEILLE DE MANIÈRE À CE QU'IL SOIT COMPLÈTEMENT REMPLI (200 OU 300 BARS OU 3000 PSI).
2. DÉBRANCHEZ L'ADAPTATEUR DE REMPLISSAGE.
3. TOURNEZ LE VOLANT DANS LE SENS DES AIGUILLES D'UNE MONTRE JUSQU'À CE QU'IL CLIQUE SUR TROIS FOIS.

---

## 6 EMBALLAGE

1. Placer la bouteille dans le sac et serrer fermement la sangle de la bouteille [réf e, Illustration 5].
2. Brancher le tuyau à air sur le détenteur et le verrouiller avec la goupille [réf b, Illustration 5].
3. Placer la dragonne avec la bague de démarrage rapide [réf d, Illustration 5] à l'extérieur du sac.
4. Appliquer un peu de poudre de talc 460 190 130 (ou une autre poudre de talc) sur le manchon pour col.
5. Fermer la fermeture éclair à un-tiers environ.
6. Plier le casque comme indiqué au schéma [Illustration 6] et le mettre dans le sac ; voir [Illustration 5].

---

**REMARQUE:** ASSUREZ VOUS QUE LE TUYAU SOIT BIEN EN PLACE SUR LE HAUT DE LA BOUTEILLE ET QU'IL NE SOIT PAS PINCÉ ENTRE LE SAC ET LA BOUTEILLE

---

7. Placer la sangle avec la bague de démarrage rapide [réf d, Illustration 5] sur le casque, en laissant la dragonne à l'extérieur du sac.
8. Placer la bague de démarrage rapide [réf c, Illustration 5] sur le robinet de la bouteille. Tourner le bouton du robinet dans le sens inverse des aiguilles d'une montre jusqu'à l'arrêt. S'assurer que le bouton repose sur la bague de démarrage rapide.
9. Fermer la fermeture éclair.

---

**REMARQUE:** LE GLISSOIR DE LA FERMETURE ECLAIR DOIT SE DEPLACER JUSQU'EN POSITION FINALE. AINSI LA FERMETURE ECLAIR PEUT ETRE OUVERTE SANS UTILISER LE GLISSOIR, EN TIRANT SUR LA DRAGONNE [REF D, ILLUSTRATION 5].

---

10. S'assurer que la jauge de pression peut être lue à travers l'ouverture sur le sac (le casque ne doit pas être visible).
11. Placer la dragonne comme indiqué [réf d, Illustration 7]. Faire passer le plomb [réf a, Illustration 7] à travers le petit trou dans le sac et dans la petite boucle [réf f, Illustration 7]. Fixer le plomb comme indiqué au schéma [Illustration 8].

## 7 CONTROLES ET ENTRETIEN

### 7.1 MENSUEL

Vérifiez que la bouteille est entièrement remplie et que le plomb n'est pas rompu.



## 7.2 ANNUEL

### Contrôle visuel

Vérifiez qu'il n'y a pas de dommages mécaniques ou chimiques sur les pièces suivantes:

- Sac, sangles et bague de démarrage rapide.
- Tuyau à air, raccords de tuyau et joints toriques. Les tuyaux qui ont perdu leur flexibilité doivent être remplacés.
- Casque extérieur et intérieur, manchon pour col et masque intérieur, y compris les deux circlips qui fixent le masque intérieur et le robinet.
- Appliquer un peu de poudre de talc 460 190 130 (ou une autre poudre de talc) sur le manchon pour col au moins une fois par an et lorsque nécessaire.
- Robinet de la bouteille, détendeur et jauge de pression.
- Vérifiez que la bouteille a été testée conformément aux normes nationales applicables.
- Vérifiez la date de fabrication des flexibles. Les tuyaux en plastique plus anciens sans date doivent être remplacés. Les flexibles plus récents portant la date de fabrication doivent être remplacés après 15 ans. Le marquage se fait selon IS YYXX, IS=interspiro, YY=Année, XX=numéro de lot.

### Contrôle du fonctionnement

En plus du contrôle visuel décrit ci-dessus, le Spiroscape doit être testé afin de s'assurer que l'appareil fonctionne correctement. Pour ce faire, déclencher le Spiroscape de la même façon qu'une utilisation normale et vérifier que la durée d'utilisation soit au minimum de 15 minutes et au maximum de 20 minutes. Pendant le test, l'indicateur de la jauge de pression doit passer de plein à vide.

Une fois les contrôles et tests terminés, remplissez la bouteille comme indiqué au chapitre 5 et remettez le plomb en place comme indiqué au chapitre 6.



**REMARQUE:** EN CAS DE SIGNES D'ENDOMMAGEMENT OU SI L'APPAREIL NE FONCTIONNE PAS CORRECTEMENT, RENVOYEZ-LE POUR REPARATION OU REMPLACEZ LES PIECES DEVANT ETRE CHANGEES.

---

Rédigez un rapport sur le contrôle et le test du Spiroscape. Indiquez la date et le numéro de série sur le robinet de la bouteille.

## 8 STOCKAGE

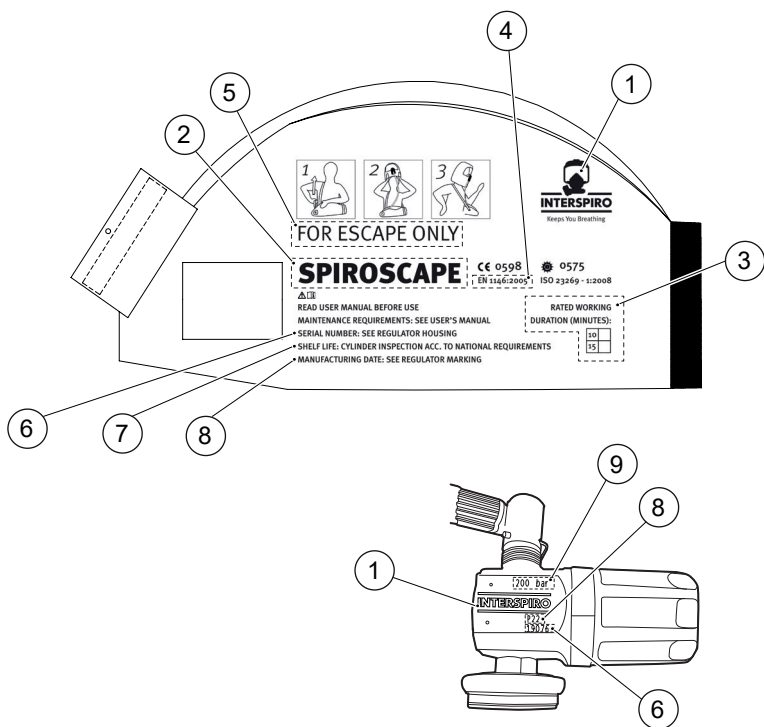
Conserver dans un environnement frais, sec et sans poussière. Protéger contre la lumière directe du soleil, les rayons UV et la chaleur directe.

Pendant le transport, le produit doit être bien protégé à l'intérieur de l'emballage d'origine ou d'un emballage équivalent.

### Durée de conservation

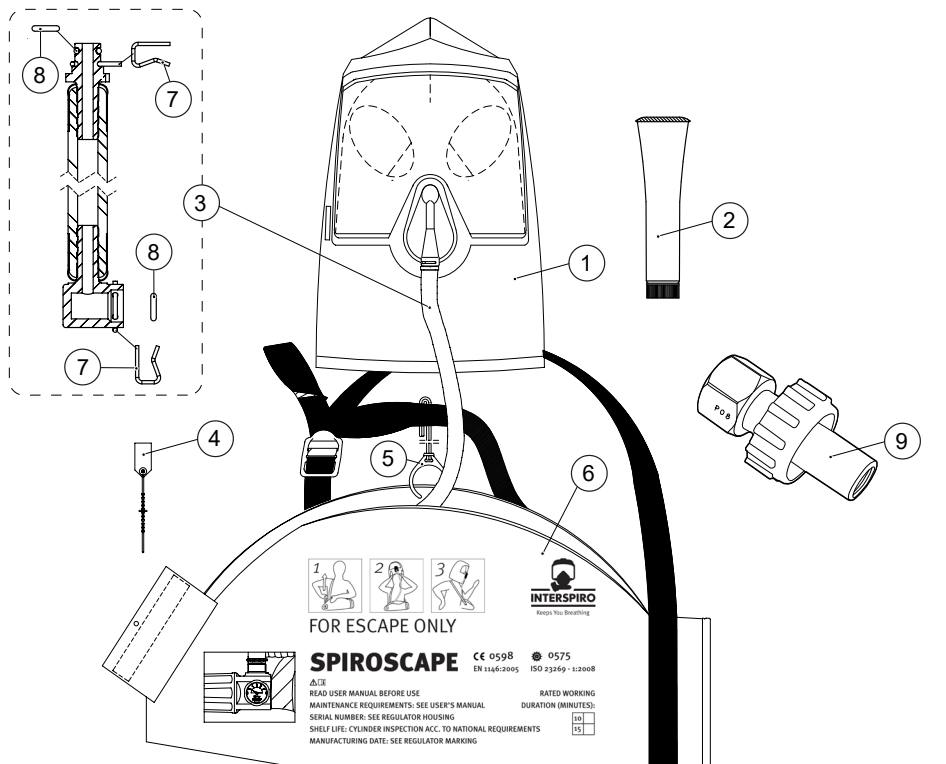
S'il est stocké plus d'un an, le Spiroscape doit subir un contrôle annuel avant de pouvoir être remis en service.

## 9 MARQUAGE DU PRODUIT



#	DESCRIPTION
1	Fabricant
2	Désignation du modèle
3	Temps de durée nominale
4	Norme de produit et révision
5	Champs d'application
6	Marquage du numéro de série
7	Informations sur la durée de conservation
8	Année de fabrication
9	Pression de remplissage du cylindre

## 10 PIÈCES DÉTACHÉES



#	Référence	DESCRIPTION	NOTE
1	460 190 121	Casque sans tuyau	
2	460 190 130	Poudre de talc	
3	460 190 124	Tuyau, complet avec agrafes en U et joint torique	
4	460 190 123	Plomb	5 x 95378
5	460 190 127	Bague de démarrage rapide	10 x 95324
6	460 190 122	Sac de transport (standard)	
7	460 190 126	Broche	10 x 95531-01
8	460 190 125	Joints toriques	10 x 95534
9	95 360-02	Adaptateur de chargement rapide	
9	95 360-04	Adaptateur de chargement rapide avec raccord CGA (norme américaine)	

## 11 DISPOSITION

Le produit doit être éliminé d'une manière respectueuse de l'environnement et conforme aux lois et réglementations en vigueur.

# SPIROSCAPE

## ANVÄNDARHANDLEDNING

---

### 1 SÄKERHETSANVISNING



Läs noga igenom följande innan du använder Spiroscape.

Spiroscape är enbart konstruerad för att användas som flyktapparat i nödsituationer och får inte användas för att ta sig in i giftiga miljöer.

Spiroscape är inte till för att användas vid räddnings- eller brandsläckningsarbete.

Spiroscape får inte användas under vatten.

Spiroscape får endast användas av vuxna som är vid god fysisk och psykisk hälsa.

Spiroscape är inte avsedd för användning i en explosiv atmosfär.

Användare av Spiroscape måste ha genomgått utbildning i handhavande och ha läst och förstått denna användarhandledning.

Se alltid till att utrymningstiden är inom Spiroscape:s användningstid.

Om förseglingen är bruten måste apparaten kontrolleras, fyllas med andningsluft som uppfyller krav enligt kapitel 2 och en ny försegling monteras.

Om luftflödet inte startar när snabbstartöglan dras, öppna flaskventilen manuellt för att starta luftflödet. Lämna omedelbart området med icke andningsbar luft.

Endast innehavare av ett giltigt Interspiro Service Certifikat får utföra full service och test av Spiroscape.

Ändringar kan företas i detta dokument när som helst utan förvarning om de är nödvändiga på grund av typografiska fel, felaktigheter i informationen eller beroende på förbättringar eller förändringar av utrustning. Kontrollera alltid [www.Interspiro.com](http://www.Interspiro.com) för produktuppdateringar, dokumentuppdateringar och servicemeddelanden. De garantiåtaganden som specificeras i försäljningsvillkoren påverkas inte av denna säkerhetsanvisning.

## 2 TEKNISK BESKRIVNING

Denna produkt som tillhandahåller andningsluft till användaren har testats i enlighet med EN 1146, ISO 23269-1 & 42 CFR (NIOSH) och ska användas enligt lokala föreskrifter.

Tillverkare:

Interspiro AB

Box 2853, 18728 Täby, Sverige.

Försäkran om överensstämmelse finns här: [interspiro.se/sv-se/service-support/downloads/certifikat-godkannanden](https://interspiro.se/sv-se/service-support/downloads/certifikat-godkannanden)

Spiroscape ger ett konstant flöde med andningsbar luft under 15 minuter.

När luftflödet upphör öppnas en ventil automatiskt och användaren kan andas omgivande luft utan att först ta av huvan. Om användaren skulle bli medvetslös säkerställer detta att användaren inte kvävs när luftförrådet är tomt. Genom att stänga av luftflödet manuellt kan användaren bära huvan under övning eller i beredskapssituationer.

Luften i flaskan måste uppfylla kraven enligt en 12021, fri från olja, giftiga ämnen och med låg fuktighet.

### 2.1 BEGRÄNSNINGAR ENLIGT NIOSH (GÄLLER ENBART FÖR USA)

Godkänd endast när luftförrådet är fyllt med luft som uppfyller kraven från "Compressed Gas Association Specification G-7-1 for Type 1, Grade D Air" eller högre kvalitet, samt har en daggpunkt som är -65°F (-54°C) eller torrare (24 ppm v/v eller mindre) och en maximal partikelnivå på 5 mg/m<sup>3</sup> luft.

### 2.2 SNABBFYLLNINGSADAPTER

Interspiro:s snabbfyllningsadapter, se [bild 1], används för att fylla flaskan snabbt och enkelt. Inga verktyg behövs och den förhindrar att en 200 bars flaska fylls till 300 bar. För användning av snabbfyllningsadaptern, se kapitel 5.

## 3 PÅTAGNING OCH ANVÄNDNING

**Kontrollera före användning:** Kontrollera att flaskan är full och att förseglingen är obruten. Kontrollera att inga skador är synliga.

1. Ta fram Spiroscape från förvaringsplatsen.
2. Trä nackremmen över huvudet så som visas i [bild 2].
3. Ryck med höger hand snabbstartögla [pos d, bild 5] uppåt, se [bild 2]. När man drar i snabbstartögla så händer följande:
  1. Förseglingen [pos a, bild 5] bryts.
  1. Snabbstartringen [pos c, bild 5] dras bort från flaskventilen och luftflödet startar.
  1. Blixtlåset öppnas (se till att blixtlåset är öppet hela vägen).

---

**OBS!** APPARATENS AKTIONSTID STARTAR NU.

---

4. Stick in händerna helt i halstätningens öppning och dra huvan över huvudet, se [bild 3]. Justera huvan så att den sitter bekvämt och så att du har ordentlig sikt. Fortsätt att andas normalt.

---

**OBS!** PERSONER MED GLASÖGON BÖR DRA HUVAN ÖVER HUVUDET FRÅN NACKEN OCH FRAMÅT. TÖJ UT HALSTÄTNINGEN FÖR ATT FÅ DEN ÖVER GLASÖGONEN.  
DET ÄR NORMALT ATT HUVEN DRAR IHOP SIG OCH BLÅSES UPP I TAKT MED ATT ANVÄNDAREN ANDAS.

---

5. Om nödvändigt justera längden på nackremmen.
6. Påbörja utrymningen och lämna den giftiga omgivningen omedelbart. Se [bild 4].

## 4 EFTER ANVÄNDNING

1. Kontrollera att huvan och slangen inte fått några skador. Om skador uppstått skicka huvan och slangen på service eller byt ut skadade detaljer.
2. Rengör insidan på visiret och utsidan av ytterhuvan med en mjuk trasa och ett mildt desinfektionsmedel. Torka därefter delarna med en mjuk trasa.

## 5 LUFTFYLLNING AV FLASKA

1. Anslut snabbfyllningsadaptern, se [bild 1], till luftförrådet/kompressorn via fyllningsslangen på luftförrådet/kompressorn.



---

**OBS!** FÖRE FYLLNING AV SPIROSCAPE MÅSTE SNABBFYLLNINGSSADAPTERN MATAS MED FULLT FYLLNINGSTRYCK.

---

2. Bryt förseglingen [pos a, bild 5].
3. Öppna väskans kardborrband.
4. Öppna väskans blixtlås.
5. Ta fram flaskventilratten.
6. Koppla loss luftslangen från flaskventilen genom att ta bort sprinten [pos b, bild 5]. Sätt tillbaka sprinten på luftslangen för att undvika att den tappas bort.
7. Skruva försiktigt fast snabbfyllningsadaptern för hand. Vrid den medurs tills ett luftflöde hörs och vrid den därefter ytterligare 1/4 varv.
8. Fyll flaskan tills manometern visar fullt. Vänta tills flaskan har svalnat och toppfyll sedan flaskan tills manometern åter visar fullt.

---

**OBS!** OM LUFTFÖRRÅDET AKTIVERAS UNDER FYLLNINGSFÖRLOPPET, VRID FLASKVENTILRATTEN MOTURS TILLS FLÖDET UPPHÖR.

---

9. Skruva loss snabbfyllningsadaptern.
10. Koppla fast luftslangen på flaskventilen med sprinten [pos b, bild 5].

---

**OBS!** SE TILL SÅ ATT INTE SNABBSTARTÖGLAN [POS D, BILD 5] OCH DESS REM HAMNAR UNDER SLANGEN NÄR DU KOPPLAR FAST SLANGEN.

---

## 11. Packa Spiroscape enligt instruktionerna i kapitel 6.

---

**OBS!** SPIROSCAPE LAGRAT UTAN LUFT KAN LÄCKA UNDER PÅFYLNING, FÖLJ I SÅ FALL DESSA INSTRUKTIONER:

1. Fyll flaskan så att den är helt full (200 eller 300 bar eller 3000 PSI).
  2. Koppla loss påfyllningsadaptern.
  3. Vrid handhjulet medurs tills det klickar tre gånger.
- 

## 6 PACKNING

1. Lägg flaskan i väskan och dra åt flaskremmen [pos e, bild 5] hårt.
  2. Koppla luftslangen till regulatören och lås med sprinten [pos b, bild 5].
  3. Lägg remmen med snabbstartöglan [pos d, bild 5] utanför väskan.
  4. Talka halstätningen sparsamt med talk 460 190 130 (eller annat talkpuder).
  5. Stäng blixtlåset ca 1/3.
  6. Vik huvan enligt [bild 6] och lägg den i väskan se [bild 5].
- 

**OBS!** SE TILL ATT SLANGEN ÄR PLACERAD OVANPÅ FLASKAN OCH INTE BLIR KLÄMD MELLAN FLASKAN OCH VÄSKAN.

---

7. Lägg remmen med snabbstartöglan [pos d, bild 5] ovanpå huvan men låt ögla sticka ut utanför väskan.
  8. Sätt snabbstartringen [pos c, bild 5] på flaskventilen. Vrid ventilratten moturs till stopp. Se till att ratten vilar mot snabbstartringen.
  9. Stäng blixtlåset.
- 

**OBS!** BLIXTLÅSETS RYTARE MÅSTE GÅ ÄNDA TILL SLUTLÅGET. DETTA FÖR ATT BLIXTLÅSET SEDAN SKA KUNNA ÖPPNAS UTAN RYTARE GENOM ATT MAN DRAR I SNABBSTARTÖGLAN [POS D, BILD 5].

---

10. Se till att manometern kan avläsas genom fönstret på väskan (huvan ska ej synas).
11. Lägg snabbstartögla på det sätt som visas i [pos d, bild 7]. Dra plomberingen [pos a, bild 7] genom det lilla hålet i väskan och den lilla ögla [pos f, bild 7]. Lås plomberingen på det sätt som visas i [bild 8].

## 7 KONTROLLER OCH UNDERHÅLL

### 7.1 EN GÅNG PER MÅNAD

Kontrollera att flaskan är fylld och att förseglingen är obruten.

## 7.2 EN GÅNG PER ÅR

### Visuell kontroll

Kontrollera att mekaniska eller kemiska skador inte uppkommit på följande delar:

- Väska, remmar och snabbstartring.
- Luftslang, slangkopplingar och O-ringar. Stela slangar ska ersättas med nya.
- Ytter- och innerhuva, halstätning och innermask inklusive de två snäppringar som håller fast innermask och ventil.
- Talka halstätningen sparsamt med talk 460 190 130 (eller annat talkpuder) minst en gång om året och efter behov.
- Flaskventil, regulator och manometer.
- Kontrollera att flaskan är testad enligt nationella normer.
- Kontrollera slangarnas tillverkningsdatum. Äldre plastslangar utan datum ska bytas ut. Nyare slangar med tillverkningsdatum ska bytas ut efter 15 år. Märkningen görs enligt IS YYXX, IS=interspiro, YY=År, XX=batchnummer.

### Funktionskontroll

Utöver den visuella kontrollen som beskrivs ovan skall Spiroscape testas för att säkerställa att apparaten fungerar korrekt. Denna test utförs genom att man sätter igång Spiroscape precis som om den skulle användas och kontrollerar att aktionstiden är minst 15 minuter och maximalt 20 minuter. Manometern skall visa från full till tom under testet.

Efter utförd kontroll och test skall flaskan fyllas enligt instruktionerna i kapitel 5 och plomberingen monteras enligt instruktionerna i kapitel 6.



---

**OB!** OM DET FINNS NÅGRA TECKEN PÅ SKADOR ELLER OM APPARATEN INTE FUNGERAR KORREKT, SKICKA APPARATEN TILL SERVICE ELLER BYT NÖDVÄNDIGA DELAR.

---

Protokollför kontroll och test av Spiroscape. Ange datum och serienummer som finns märkt på flaskventilen.

## 8 LAGRING

Förvara i en sval, torr och dammfri miljö. Skydda mot direkt solljus, UV-strålning och direkt värme.

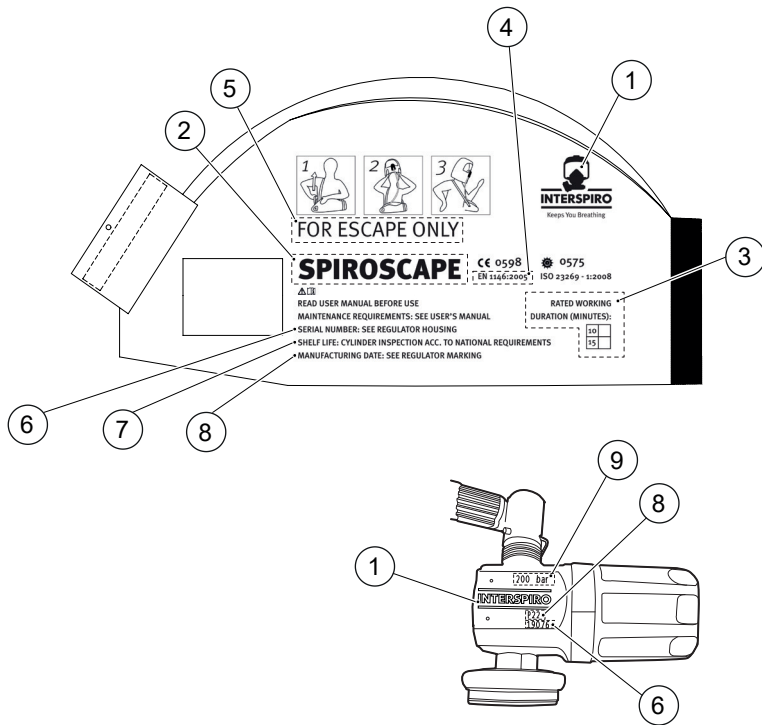
Under transport måste produkten vara väl skyddad inuti originalförpackningsmaterialet eller motsvarande förpackningsmaterial.

### Hållbarhetstid

Om Spiroscape har lagrats i mer än ett år måste den genomgå en årlig kontroll innan den kan tas i bruk igen.

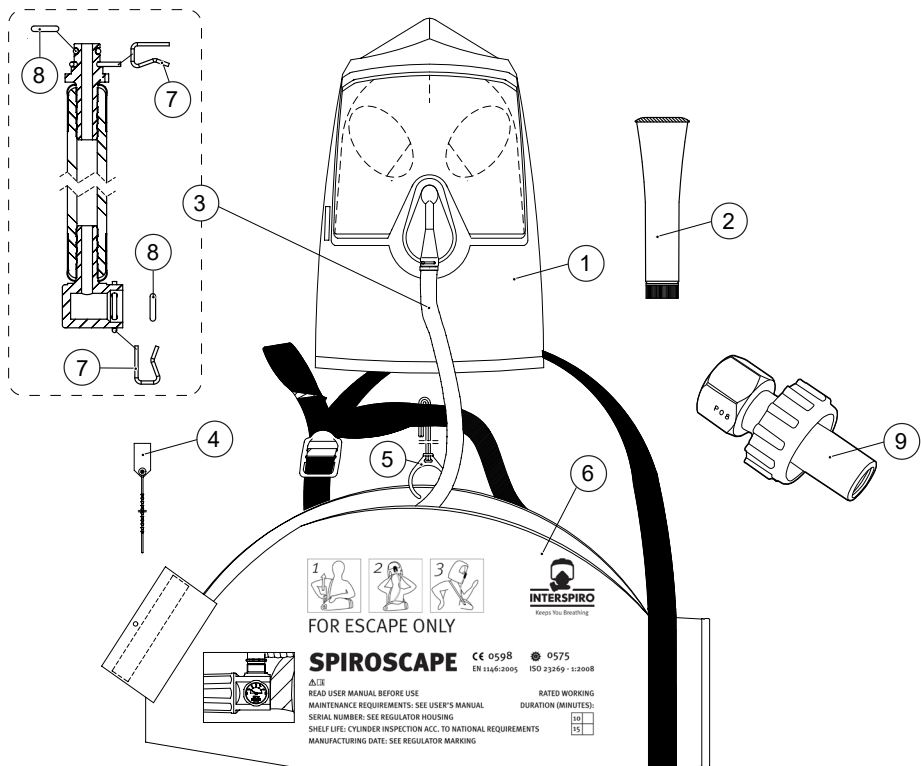


## 9 PRODUKTMÄRKNING



#	BESKRIVNING
1	Tillverkare
2	Modellbeteckning
3	Bedömd varaktighetstid
4	Produktstandard och revision
5	Användningsområde
6	Serienummermärkning
7	Hållbarhetsinformation
8	Tillverkningsår
9	Flaskfyllningstryck

## 10 RESERVDELAR



#	Ordernr.	BENÄMNING	NOT
1	460 190 121	Huva utan slang	
2	460 190 130	Talkpulver	
3	460 190 124	Slang med låspinnar och O-ring	
4	460 190 123	Försegling	5 x 95378
5	460 190 127	Snabbstartring	10 x 95324
6	460 190 122	Bärväska Spiroscape	
7	460 190 126	Låsstift	10 x 95531-01
8	460 190 125	O-ring för slanganslutning	10 x 95534
9	95 360-02	Snabbfyllningsadapter	
9	95 360-04	Snabbfyllningsadapter med CGA-anslutning (US standard)	

## 11 AVFALLSHANTERING

Produkten ska kasseras på ett miljömässigt ansvarsfullt sätt som följer tillämpliga lagar och förordningar.

# SPIROSCAPE

## GEBRUIKERSHANDLEIDING

---

### 1 VEILIGHEIDSEISEN



Lees de volgende informatie zorgvuldig, alvorens de Spiroscape te gebruiken.

Spiroscape is uitsluitend ontworpen voor gebruik als ontsnappingsmiddel in noodgevallen. Het toestel dient niet te worden gebruikt om giftige omgevingen te betreden.

Spiroscape is niet bedoeld voor gebruik bij reddingswerkzaamheden of brandbestrijding.

Spiroscape is niet geschikt voor gebruik onder water.

Spiroscape dient alleen te worden gebruikt door volwassenen met een goede lichamelijke en geestelijke gezondheid.

Spiroscape is niet ontworpen voor gebruik in een explosieve atmosfeer.

Gebruikers van Spiroscape dienen getraind te zijn in het gebruik van de apparatuur en deze gebruikershandleiding te hebben gelezen en begrepen.

Zorg altijd dat de evacuatie tijd minder bedraagt dan de gebruiksduur van de Spiroscape.

Als het zegel is verbroken, moet het toestel worden gecontroleerd, gevuld met ademlucht die voldoet aan de in hoofdstuk 2 vermelde voorschriften en van een nieuw zegel worden voorzien. Als de luchtstroom niet start na het uittrekken van de snelstartring, dient de flesafsluiter handmatig te worden geopend om de luchtstroom te starten. Verlaat direct de ruimte waar de lucht niet inhaleerbaar is.

Alleen houders van een geldig Interspiro onderhoudscertificaat zijn bevoegd om de Spiroscape volledig te onderhouden.

Dit document kan te allen tijde zonder voorafgaande kennisgeving worden gewijzigd, als wijzigingen nodig zijn vanwege typografische fouten, onjuiste informatie of verbeteringen of wijzigingen in de apparatuur.

Raadpleeg [www.Interspiro.com](http://www.Interspiro.com) regelmatig voor product updates, document updates en service bulletins.

Deze veiligheidsclausule laat de garantie bepalingen in de verkoopvoorwaarden onverlet.

## 2 TECHNISCHE SPECIFICATIES

Dit product, dat ademlucht aan de gebruiker levert, is getest in overeenstemming met EN 1146, ISO 23269-1 & 42 CFR (NIOSH) en moet worden gebruikt volgens de lokale voorschriften.

Fabrikant:

Interspiro AB

Box 2853, 18728 Täby, Zweden.

De conformiteitsverklaring vindt u hier: [interspiro.com/en-gb/service-support/downloads/certificates-approvals](https://interspiro.com/en-gb/service-support/downloads/certificates-approvals)

Spiroscape levert gedurende 15 minuten een constante stroom ademlucht.

Als de luchtstroom stopt, gaat automatisch een klep open en kan de gebruiker de omgevingslucht ademen zonder de kap af te zetten. Hierdoor wordt voorkomen dat de gebruiker stikt, als hij het bewustzijn verliest door het uitvallen van de luchtstroom. Door de luchtstroom handmatig uit te schakelen kan een gebruiker de kap dragen bij een oefening of in stand-by situaties.

De lucht in de fles dient te voldoen aan de eisen van de EN 12021 norm, vrij te zijn van olie en giftige stoffen en een laag vochtigheidsgehalte te hebben.

### 2.1 BEPERKINGEN VOLGENS NIOSH (ALLEEN VAN TOEPASSING IN DE VS)

Alleen goedgekeurd als de persluchtfles volledig met lucht is gevuld die voldoet aan de eisen van de Compressed Gas Association Specificaties G-7-1 voor Type 1 Grade D lucht of hogere kwaliteit, en met een dauwpuntniveau van -54°C of droger (24ppm v/v of minder) en een maximum deeltjesgehalte van 5 mg/m<sup>3</sup> lucht.

### 2.2 AUTOMATISCHE VULADAPTER

Interspiro's automatische vuladapter, zie [afbeelding 1], zorgt dat de luchtfles snel wordt gevuld. Geen gereedschap vereist. De adapter voorkomt dat de 200 bar fles wordt gevuld tot 300 bar.

Instructies voor het gebruik van de automatische vuladapter staan in hoofdstuk 5.

## 3 OMDOEN EN GEBRUIKEN

**Controleer voor gebruik:** Controleer of de cilinder volledig is opgeladen en of de verzegeling tegen sabotage niet verbroken is. Controleer of er geen schade zichtbaar is.

1. Haal de Spiroscape uit de opslagplaats.
2. Doe de nekband over uw hoofd, zoals afgebeeld in [afbeelding 2].
3. Trek met uw rechterhand de lus aan de snelstartring [zie d, afbeelding 5] omhoog; zie [afbeelding 2]. Als u aan het koord trekt, gebeurt het volgende:
  1. Het zegel [zie a, afbeelding 5] wordt verbroken.
  1. De snelstartring [zie c, afbeelding 5] wordt uit de flesafsluiter getrokken en de lucht begint te stromen.
  1. De rits gaat open (zorg dat de rits helemaal wordt geopend).

---

**LET OP:** DE GEBRUIKSDUUR VAN HET APPARAAT GAAT NU IN.

---

4. Steek beide handen door de opening van de neksluiting en plaats de kap over uw hoofd; zie [afbeelding 3]. Plaats de kap zo dat deze comfortabel zit en u goed zicht heeft. Blijf normaal ademen.

---

**LET OP:** BRILDRAGERS DIENEN DE KAP VANUIT DE NEK OVER HUN HOOFD TE PLAATSEN. OPEN DE NEKSLUITING ZO WIJD MOGELIJK OM UW BRIL DOOR TE LATEN. HET IS NORMAAL DAT DE KAP SAMENTREKT EN OPBLAAST OP HET RITME VAN DE ADEMHALING VAN DE GEBRUIKER.

---

5. Stel zo nodig de lengte van de nemband bij.
6. Start de evacuatie en verlaat de giftige omgeving direct. Zie [afbeelding 4].

## 4 NA GEBRUIK

1. Controleer dat de kap en/of de slangen onbeschadigd zijn. Als de kap en/of slang wel zijn beschadigd stuur deze dan in voor service of vervang de beschadigde onderdelen.
2. Maak de binnenkant van het vizier en de buitenkant van de buitenkap schoon met een zachte doek en een zacht reinigingsmiddel. Wrijf de onderdelen vervolgens droog met een zachte doek.

## 5 DE FLES MET LUCHT VULLEN

1. Sluit de automatische vuladapter, zie [afbeelding 1], aan op de luchttoevoer of compressor via de vulslang.



---

**LET OP:** DE VULADAPTER DIENT VOLLEDIG TE ZIJN GEVULD TOT MAXIMALE VULDRIJK, ALVORENS DE SPIROSCAPE AAN TE SLUITEN.

---

2. Verbreek het zegel [zie a, afbeelding 5].
3. Open de klittenbandsluiting van de tas.
4. Open de rits van de tas.
5. Leg het handwiel van de flesafsluiter bloot.
6. Maak de luchtslang los van de flesafsluiter door de pen te verwijderen [zie b, afbeelding 5]. Steek de pen in de luchtslang om te voorkomen dat de pen kwijtraakt.
7. Draai de automatische vuladapter er met de hand voorzichtig op. Draai de adapter rechtsom tot u de lucht hoort stromen en draai hem vervolgens nog een kwartslag om.
8. Vul de fles tot de indicator vol aangeeft. Wacht tot de fles is afgekoeld, vul de fles vervolgens bij tot de indicator weer vol aangeeft.

---

**LET OP:** ALS DE LUCHTTOEVOER TIJDENS HET VULLEN WORDT GEACTIVEERD, DRAAI HET HANDWIEL DAN LINKSOM TOT DE LUCHTSTROOM STOPT.

---

9. Draai de automatische vuladapter los.
10. Bevestig de luchtslang met de pen weer op de flesafsluiter [zie b, afbeelding 5].

---

**LET OP:** ZORG DAT DE SNELSTARTRING [ZIE D, AFBEELDING 5] ZICH NIET ONDER DE SLANG BEVINDT ALS U DE SLANG OPNIEUW AANSLUIT.

---

## 11. Berg de Spiroscape op volgens de instructies in hoofdstuk 6.

---

**LET OP:** SPIROSCAPE OPGESLAGEN ZONDER LUCHT KAN TIJDENS HET VULLEN LEKKEN. VOLG IN DIT GEVAL DEZE INSTRUCTIES:

1. VUL DE FLES ZODAT DEZE HELEMAAL VOL IS (200 OF 300 BAR OF 3000 PSI).
  2. KOPPEL DE VULADAPTER LOS.
  3. DRAAI HET HANDWIEL MET DE KLOK MEE TOTDAT HET DRIE KEER KLIKT.
- 

## 6 OPBERGEN

1. Plaats de fles in de tas en trek de flessenspanband stevig aan [zie e, afbeelding 5].
2. Sluit de luchtslang aan op de reduceer en vergrendel hem met de pen [zie b, afbeelding 5].
3. Plaats de lus met de snelstartring [zie d, afbeelding 5] buiten de tas.
4. Strooi wat talkpoeder 460 190 130 (of een ander type talkpoeder) op de neksluiting.
5. Trek de rits ongeveer een derde dicht.
6. Vouw de kap op als afgebeeld in [afbeelding 6] en plaats hem in de tas, zie [afbeelding 5].

---

**LET OP:** ZORG ERVOOR DAT DE SLANG OP DE BOVENKANT VAN DE CILINDER WORDT GEPLAATST EN NIET WORDT INGEKLEMD TUSSEN DE CILINDER EN DE TAS.

---

7. Plaats het koord met de snelstartring [zie d, afbeelding 5] bovenop de kap en laat daarbij de lus van het koord buiten de tas.
8. Bevestig de snelstartring [zie c, afbeelding 5] aan de flesafsluiter. Draai het handwiel van de afsluiter linksom naar de stop. Zorg dat het handwiel op de snelstartring rust.
9. Sluit de rits.

---

**LET OP:** DE RITSSLUITING DIEN HELEMAAL TOT HET UITEINDE TE WORDEN DICHTGETROKKEN. DE RITS KAN DAN NAMELIJK ZONDER DE RITSSLUITING TE GEBRUIKEN WORDEN GEOPEND DOOR AAN DE LUS VAN HET KOORD TE TREKKEN [ZIE D, AFBEELDING 5].

---

10. Zorg dat de indicator door het venster in de tas is af te lezen (de kap dient niet zichtbaar te zijn).
11. Plaats de lus van het koord zoals afgebeeld [zie d, afbeelding 5]. Trek het zegel [zie a, afbeelding 7] door het gaatje in de tas en het ringetje [zie f, afbeelding 7]. Verzeker het zegel als afgebeeld [afbeelding 8].

## 7 CONTROLE EN ONDERHOUD

### 7.1 MAANDELIJKS

Controleer of de fles volledig gevuld is en het zegel niet is verbroken.

## 7.2 JAARLIJKS

### Visuele controle

Controleer de volgende onderdelen op mechanische of chemische beschadigingen:

- Tas, banden en snelstartring.
- Lucht slang, koppelingen en o-ringen. Slangen die hun flexibiliteit hebben verloren dienen te worden vervangen.
- Buiten- en binnenkap, neksluiting en binnenmasker, inclusief de twee veerringen waarmee binnenmasker en afsluiter worden vastgezet.
- Strooi ten minste één keer per jaar of zo vaak als nodig wat talkpoeder 460 190 130 (of een ander type talkpoeder) op de neksluiting.
- Flesafsluiter, reduceer en indicator.
- Controleer of de fles is getest volgens de landelijke normen.
- Controleer de productiedatum van de slangen. Oudere plastic slangen zonder datum moeten worden vervangen. Nieuwere slangen met productiedatum moeten na 15 jaar worden vervangen. De markering is gemaakt volgens IS YYYY, IS=interspiro, YY=Jaar, XX=batchnummer.

### Functionele controle

In aanvulling op de hierboven omschreven visuele controle dient de Spiroscape te worden getest om te controleren of het apparaat naar behoren werkt. Om dit te controleren, start Spiroscape op precies dezelfde manier als voor normaal gebruik en controleer of de tijdsduur ten minste 15 minuten en 20 minuten maximaal is. Tijdens de test dient de indicatorwijzer van vol naar leeg te zakken.

Na het testen en controleren dient de fles te worden gevuld, zoals beschreven in hoofdstuk 5, en dient het zegel te worden aangebracht, zoals beschreven in hoofdstuk 6.



---

**LET OP:** ALS ER TEKENEN VAN BESCHADIGING ZIJN OF ALS HET APPARAAT NIET NAAR BEHOREN WERKT, LAAT HET APPARAAT DAN REPAREREN OF LAAT ONDERDELEN VERVANGEN.

---

Houd een staat bij van de controles en tests die op de Spiroscape zijn uitgevoerd. Vermeld de datum en het serienummer dat op de flesafsluiter is gestempeld.

## 8 OPSLAG

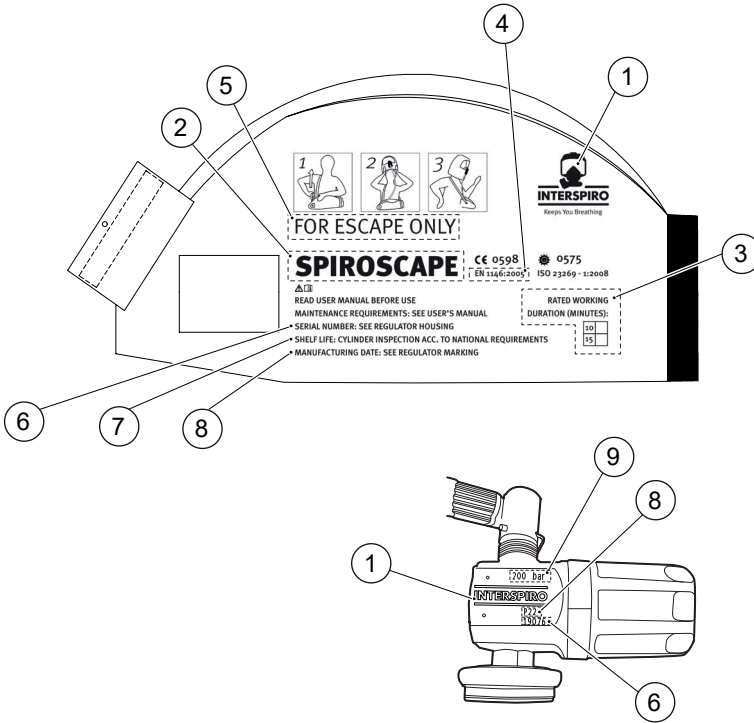
Opslaan in een koele, droge en stofvrije omgeving. Beschermen tegen direct zonlicht, UV-straling en directe warmte.

Tijdens het transport moet het product goed beschermd zijn in de originele verpakking of gelijkwaardig verpakkingsmateriaal.

### Houdbaarheid

Bij opslag van meer dan een jaar moet de Spiroscape jaarlijks worden gecontroleerd voordat deze weer in gebruik kan worden genomen.

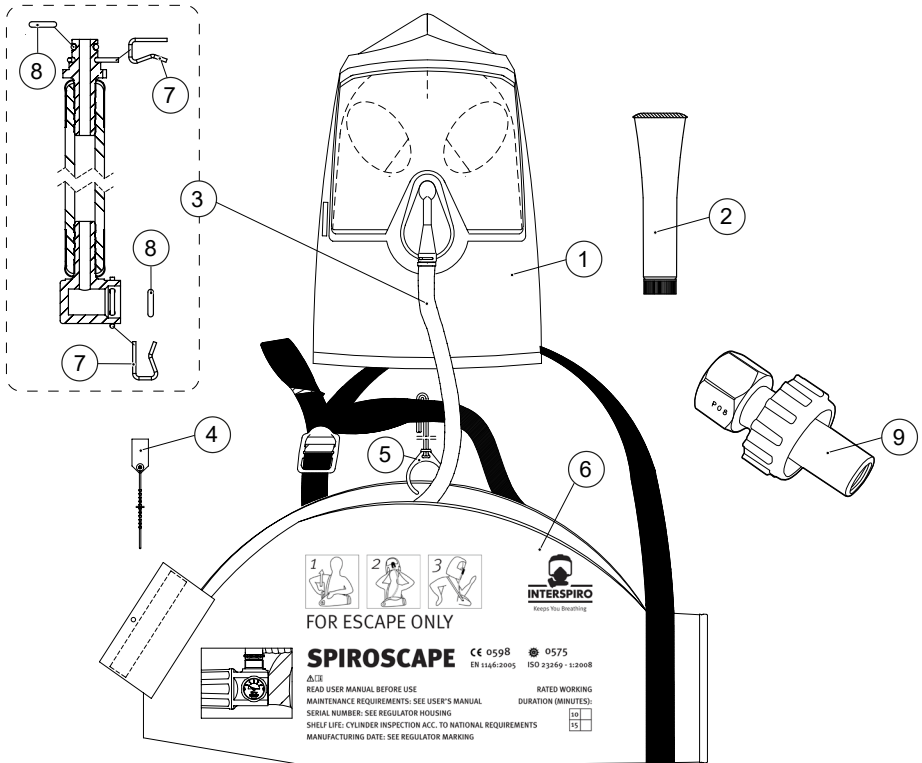
## 9 PRODUCT MARKERINGEN



#	BESCHRIJVING
1	Fabrikant
2	Modelaanduiding
3	Geschatte tijdsduur
4	Productstandaard en revisie
5	Toepassingsgebied
6	Markering van het serienummer
7	Houdbaarheidsinformatie
8	Fabricage jaar
9	Cilinder vuldruk



## 10 VERVANGINGSONDERDELEN



#	Ordernr.	BESCHRIJVING	OPMERKING
1	460 190 121	Kap zonder slang	
2	460 190 130	Talkpoeder	
3	460 190 124	Slang, inclusief pennen en o-ring	
4	460 190 123	Zegel	5 x 95378
5	460 190 127	Snelstartring	10 x 95324
6	460 190 122	Tas (standaard)	
7	460 190 126	Pen	10 x 95531-01
8	460 190 125	O-ringen	10 x 95534
9	95 360-02	Automatische vuladapter	
9	95 360-04	Automatische vuladapter met CGA connector (US norm)	

## 11 BESCHIKBAARHEID

Het product dient op een milieuverantwoorde manier afgevoerd te worden die voldoet aan de geldende wet- en regelgeving.

# SPIROSCAPE

## MANUAL DEL USUARIO

---

### 1 **NOTA DE SEGURIDAD**



Lea atentamente la información siguiente antes de utilizar Spiroscape.

Spiroscape se ha diseñado únicamente para el uso como dispositivo de evacuación para situaciones de emergencia. No debe utilizarse para el acceso a ambientes tóxicos.

Spiroscape no está destinado al uso en operaciones de rescate o extinción de incendios.

Spiroscape no debe utilizarse bajo el agua.

Spiroscape solo puede ser utilizado por adultos que presenten un buen estado de salud física y mental.

Spiroscape no está diseñado para usarse en una atmósfera explosiva.

Cualquier persona que utilice Spiroscape debe haber recibido formación sobre su uso y debe haber leído y comprendido este manual del usuario.

Asegúrese siempre de que el tiempo de evacuación sea menor que el tiempo de duración de Spiroscape.

Si el sello está roto, el equipo debe inspeccionarse, cargarse con aire de respiración conforme a los requisitos definidos en el capítulo 2 y equiparse con un nuevo sello. Si el flujo de aire no se inicia al retirar el anillo de activación rápida, abra manualmente la válvula de la botella para iniciar el flujo de aire. Abandone inmediatamente el área en que el aire no sea respirable.

Solo los titulares de un Certificado de servicio Interspiro válido pueden llevar a cabo el servicio y mantenimiento completo de Spiroscape.

En cualquier momento pueden realizarse cambios sin previo aviso en este documento si son necesarios debido a errores tipográficos, información incorrecta, o mejoras o modificaciones en los equipos.

Consulte [www.Interspiro.com](http://www.Interspiro.com) con regularidad para conocer las novedades sobre los productos, las actualizaciones de los documentos y los boletines de servicio.

Los compromisos de la garantía especificados en las condiciones de venta no se ven afectados por esta nota de seguridad.

## 2 DESCRIPCIÓN TÉCNICA

Este producto, que proporciona aire respirable al usuario, se ha ensayado de acuerdo con EN 1146, ISO 23269-1 & 42 CFR (NIOSH) y debe usarse siguiendo las regulaciones locales.

Fabricante:

Interspiro AB

Box 2853, 18728 Täby, Suecia.

La declaración de conformidad se encuentra aquí: [interspiro.com/en-gb/service-support/downloads/certificates-approvals](https://interspiro.com/en-gb/service-support/downloads/certificates-approvals)

Spiroscape proporciona un flujo constante de aire respirable durante 15 minutos.

Cuando el aire deja de fluir, automáticamente se abre una válvula y el usuario puede respirar el aire exterior sin necesidad de retirarse la capucha. De este modo se garantiza que el usuario no se asfixia en caso de perder el conocimiento cuando se termina el suministro de aire. Cerrando el flujo de aire manualmente, el usuario puede utilizar la capucha durante un ejercicio o en situaciones de reserva.

El aire de la botella debe cumplir los requisitos especificados en la norma EN 12021, estar libre de aceite y sustancias tóxicas y tener un nivel bajo de humedad.

### 2.1 LIMITACIONES CONFORME A LA NIOSH (APLICABLE ÚNICAMENTE EN EE. UU.)

Aprobado solo cuando la botella de aire comprimido esté totalmente cargada de aire que cumpla los requisitos de las Especificaciones de la Asociación de Gas Comprimido G-7-1 para el aire Tipo 1 de Grado D o calidad superior, así como que tenga un punto de rocío de  $-54^{\circ}\text{C}$  o más seco (24 ppm v/v o inferior) y un nivel de partículas inferior a 5 mg/m<sup>3</sup> de aire.

### 2.2 ADAPTADOR DE LLENADO AUTOMÁTICO

El adaptador de llenado automático de Interspiro, consulte la [figura 1], ofrece una forma rápida y sencilla de cargar la botella. No se necesitan herramientas. El adaptador impide que la botella de 200 bares se cargue a 300 bares.

Las instrucciones para utilizar el adaptador de llenado automático se incluyen en el capítulo 5.

## 3 COLOCACIÓN Y USO

**Verifique antes de usar:** Verifique que el cilindro esté completamente cargado y que el sello antimanipulación no esté roto. Verifique que no se vean daños.

1. Retire el Spiroscape del lugar donde se encuentre almacenado.
2. Colóquese la correa para el cuello por encima de la cabeza tal y como se muestra en la [figura 2].
3. Con la mano derecha, tire con decisión el lazo conectada al anillo de activación rápida [ref. d, figura 5] hacia arriba; consulte la [figura 2]. Esto es lo que sucede al tirar de la correa:
  - 1 El sello [ref. a, figura 5] se rompe.
  - 1 El anillo de activación rápida [ref. c, figura 5] se separa de la válvula de la botella y se inicia el flujo de aire.
  - 1 La cremallera se abre (asegúrese de que la cremallera se abra completamente).

---

**NOTA:** EL TIEMPO DE DURACIÓN DEL DISPOSITIVO EMPIEZA A CONTAR EN ESTE MOMENTO.

---

4. Introduzca ambas manos en la apertura del sello del cuello y colóquese la capucha sobre la cabeza; consulte la [figura 3]. Ajustese la capucha de modo que quede cómodamente adaptada y tenga una buena visibilidad. Continúe respirando normalmente.

---

**NOTA:** LAS PERSONAS QUE LLEVAN GAFAS DEBEN COLOCARSE LA CAPUCHA SOBRE LA CABEZA TIRANDO HACIA DELANTE DESDE LA PARTE POSTERIOR DEL CUELLO. EXTIENDA EL SELLO DEL CUELLO PARA DEJAR ESPACIO PARA LAS GAFAS. ES NORMAL QUE LA CAPUCHA SE CONTRAIGA Y SE INFLE AL RITMO DE LA RESPIRACIÓN DEL USUARIO.

---

5. Si es necesario, ajuste la longitud de la correa para el cuello.
6. Inicie la evacuación y abandone inmediatamente el ambiente tóxico. Consulte la [figura 4].

## 4 DESPUÉS DEL USO

1. Compruebe que la capucha y el tubo no presenten daños. Si la capucha y el tubo están dañados, envíelos a reparar o sustituya los componentes dañados.
2. Limpie el interior del visor y el exterior de la capucha externa con un paño suave y desinfectante no agresivo. A continuación seque los componentes con un paño suave.

## 5 CARGA DE LA BOTELLA CON AIRE

1. Conecte el adaptador de llenado automático, consulte la [figura 1], al suministro de aire o compresor a través del tubo de carga.



---

**NOTA:** EL ADAPTADOR DE LLENADO DEBE RECIBIR LA MÁXIMA PRESIÓN DE CARGA ANTES DE CONECTAR EL SPIROSCAPE.

---

2. Rompa el sello [ref. a, figura 5].
3. Abra el cierre de Velcro de la bolsa.
4. Abra la cremallera de la bolsa.
5. Destape la perilla de la válvula de la botella.
6. Desconecte el tubo de aire de la válvula de la botella retirando la clavija [ref. b, figura 5]. Para evitar que la clavija se pierda, vuelva a colocarla en el tubo de aire.
7. Conecte con cuidado el adaptador de llenado automático con la mano. Hágalo girar hacia la derecha hasta que oiga que el aire fluye; a continuación gírelo un cuarto de vuelta más.
8. Cargue la botella hasta que el manómetro indique que está llena. Deje que la botella se enfríe y luego acábela de llenar hasta que el manómetro indique nuevamente que está llena.

---

**NOTA:** SI EL SUMINISTRO DE AIRE SE ACTIVA DURANTE EL PROCESO DE CARGA, HAGA GIRAR LA PERILLA DE LA VÁLVULA DE LA BOTELLA HACIA LA IZQUIERDA HASTA QUE SE DETENGA EL FLUJO DE AIRE.

---

9. Desenrosque el adaptador de llenado rápido.
10. Vuelva a conectar el tubo de aire a la válvula de la botella con la clavija [ref. b, figura 5].

---

**NOTA:** ASEGÚRESE DE QUE EL ANILLO DE ACTIVACIÓN RÁPIDA [REF. D, FIGURA 5] NO QUEDE DEBAJO DEL TUBO CUANDO LO VUELVA A CONECTAR.

---

11. Guarde el Spiroscape tal y como se describe en las instrucciones del capítulo 6.

---

**NOTA:** SPIROSCAPE ALMACENADO SIN AIRE PUEDE TENER FUGAS DURANTE EL LLENADO. EN ESTE CASO, SIGA ESTAS INSTRUCCIONES:

1. LLENE LA BOTELLA DE MODO QUE ESTÉ COMPLETAMENTE LLENA (200 O 300 BAR O 3000 PSI).
  2. DESCONECTE EL ADAPTADOR DE CARGA.
  3. GIRE EL VOLANTE EN SENTIDO HORARIO HASTA QUE HAGA CLIC TRES VECES.
- 

## 6 EMBALAJE

1. Coloque la botella en la bolsa y apriete firmemente la correa de la botella [ref. e, figura 5].
2. Conecte el tubo de aire al regulador y fíjelo con la clavija [ref. b, figura 5].
3. Coloque el lazo con el anillo de activación rápida [ref. d, figura 5] fuera de la bolsa.
4. Eche una pequeña cantidad de polvos de talco 460 190 130 (u otros polvos de talco) en el sello del cuello.
5. Tire de la cremallera hasta que quede un tercio cerrada.
6. Doble la capucha como se muestra en la [figura 6] y colóquela en la bolsa; consulte la [figura 5].

---

**NOTA:** ASEGÚRESE DE QUE EL TUBO QUEDE COLOCADO ENCIMA DE LA BOTELLA Y QUE NO QUEDE PELLIZCADO ENTRE LA BOTELLA Y LA BOLSA.

---

7. Coloque el correa con el anillo de activación rápida [ref. d, figura 5] encima de la capucha, dejando que el lazo de la correa quede fuera de la bolsa.
8. Ajuste el anillo de activación rápida [ref. c, figura 5] a la válvula de la botella. Gire la perilla de la válvula hacia la izquierda hasta el tope. Asegúrese de que la perilla descansa sobre el anillo de activación rápida.
9. Cierre la cremallera.

---

**NOTA:** EL DESLIZADOR DE LA CREMALLERA DEBE EFECTUAR TODO EL RECORRIDO HASTA LA POSICIÓN FINAL. DE ESTE MODO LA CREMALLERA SE PUEDE ABRIR SIN UTILIZAR EL DESLIZADOR, TAN SOLO TIRANDO DEL LAZO DE LA CORREA [REF. D, FIGURA 5].

---

10. Asegúrese de que pueda efectuarse la lectura del manómetro a través de la ventana de la bolsa (la capucha no debe ser visible).
11. Coloque el lazo de la correa tal y como se muestra [ref. d, figura 7]. Haga pasar el sello de la correa [ref. a, figura 7] a través del orificio pequeño que hay en la bolsa y el anillo pequeño [ref. f, figura 7]. Fije los sellos como se muestra en la [figura 8].

## 7 COMPROBACIONES Y MANTENIMIENTO

### 7.1 MENSUALES

Compruebe que la botella esté completamente cargada y que el sello no esté roto.

## 7.2 ANUALES

### Inspección visual

Compruebe que los componentes siguientes no hayan sufrido daños mecánicos ni químicos:

- Bolsa, correas y anillo de activación rápida.
- Tubo de aire, acoplamientos del tubo y juntas tóricas. Los tubos que hayan perdido la flexibilidad deben sustituirse.
- Capucha exterior e interior, sello del cuello y mascarilla interior, incluidos los dos anillos de seguridad que sujetan la mascarilla interior y la válvula.
- Eche una pequeña cantidad de polvos de talco 460 190 130 (u otros polvos de talco) en el sello del cuello al menos una vez al año o siempre que sea necesario.
- Válvula de la botella, regulador y manómetro.
- Compruebe que la botella haya sido inspeccionada de conformidad con la normativa nacional.
- Verifique la fecha de fabricación de las mangueras. Las mangueras de plástico antiguas sin fecha deben reemplazarse. Las mangueras más nuevas con fecha de fabricación deben reemplazarse después de 15 años. El marcado se realiza según IS YYXX, IS=interspiro, YY=Año, XX=número de lote..

### Comprobación del funcionamiento

Además de la inspección visual descrita anteriormente, Spiroscape debe inspeccionarse para garantizar que el dispositivo funcione correctamente. Para efectuar esta comprobación, ponga en funcionamiento Spiroscape exactamente del mismo modo que para el uso normal y compruebe que el tiempo de duración sea de 15 minutos como mínimo y 20 como máximo. Durante la comprobación, el indicador del manómetro debe ir bajando de lleno a vacío.

Una vez finalizadas la comprobación e inspección, cargue la botella tal y como se describe en el capítulo 5 y monte el sello según lo descrito en el capítulo 6.



---

**NOTA:** SI SE OBSERVAN SIGNOS DE DAÑOS O SI EL DISPOSITIVO NO FUNCIONA CORRECTAMENTE, ENVÍE EL APARATO PARA SU REPARACIÓN O SUSTITUYA CUALQUIER COMPONENTE QUE DEBA REEMPLAZARSE.

---

Mantenga un registro de las comprobaciones e inspecciones de Spiroscape. Indique la fecha y el número de serie que figura en la válvula de la botella.

## 8 ALMACENAMIENTO

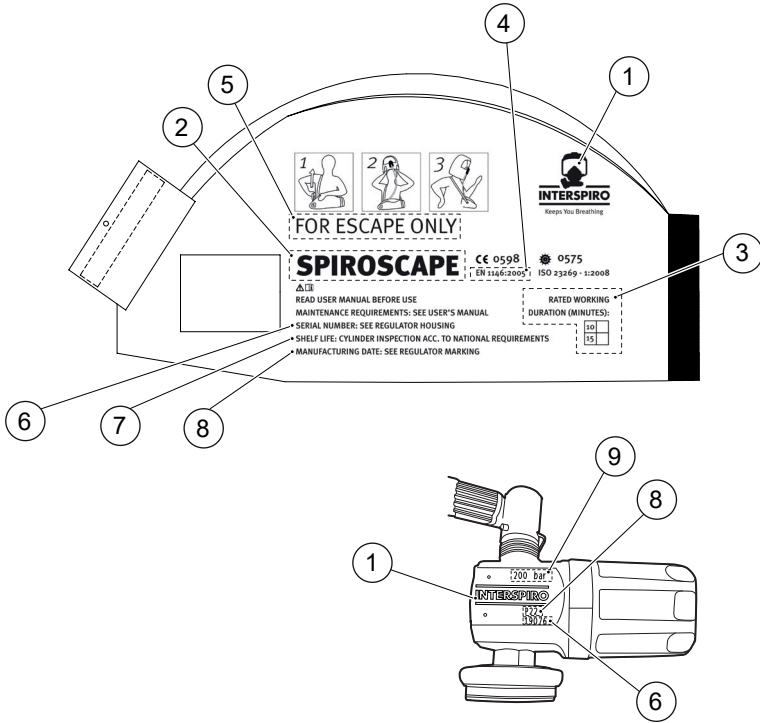
Almacenar en un ambiente fresco, seco y libre de polvo. Proteger contra la luz solar directa, la radiación UV y el calor directo.

Durante el transporte el producto debe estar bien protegido dentro del material de embalaje original o material de embalaje equivalente.

### Duración

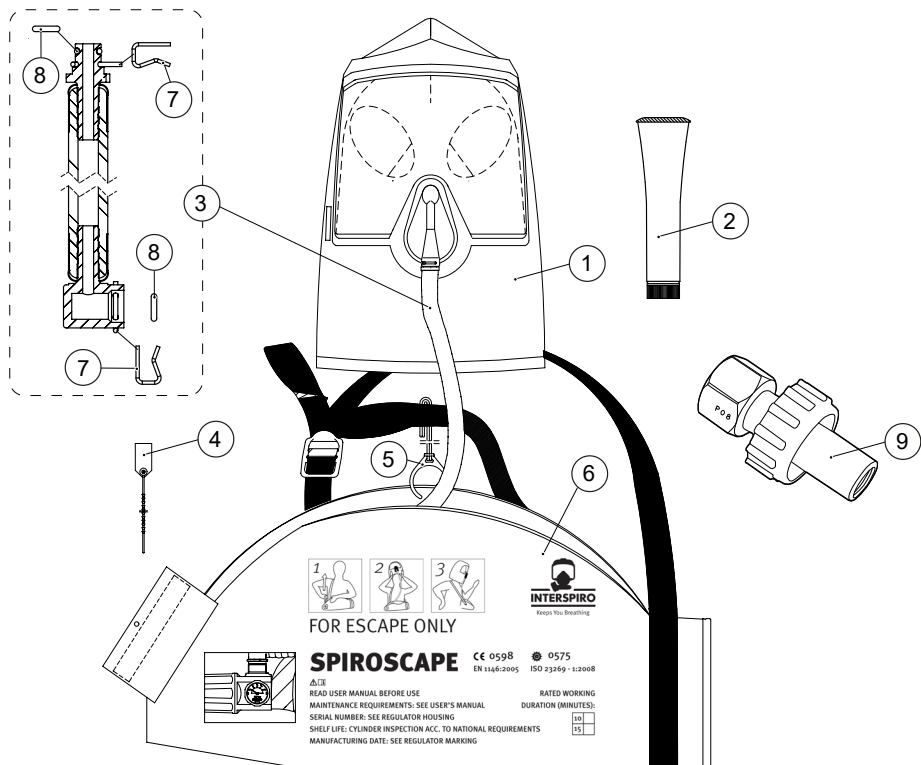
Si se almacena durante más de un año, el Spiroscape debe someterse a una revisión anual antes de que pueda volver a utilizarse.

## 9 PRODUCTO MARCAS



#	DESCRIPCIÓN
1	Fabricante
2	Designación del modelo
3	Tiempo de duración nominal
4	Norma y revisión del producto
5	Campo de aplicación
6	Marcado del número de serie
7	Información sobre la vida útil
8	Año de manufactura
9	Presión de llenado del cilindro

## 10 REPUESTOS



#	N. pedido <sup>o</sup>	DESCRIPCIÓN	NOTA
1	460 190 121	Capucha sin tubo	
2	460 190 130	Polvos de talco	
3	460 190 124	Tubo, incluye clavijas y una junta tórica	
4	460 190 123	Sello	5 x 95378
5	460 190 127	Anillo de activación rápida	10 x 95324
6	460 190 122	Bolsa (estándar)	
7	460 190 126	Clavija	10 x 95531-01
8	460 190 125	Juntas tóricas	10 x 95534
9	95 360-02	Adaptador de llenado automático	
9	95 360-04	Adaptador de llenado automático con conexión CGA (normativa US)	

## 11 DESECHO

El producto se debe desechar de manera respetuosa con el medio ambiente que cumpla con las leyes y reglamentos aplicables.



# SPIROSCAPE

## MANUALE DELL'UTENTE

---

### 1 INFORMATIVA SULLA SICUREZZA



Leggere attentamente le informazioni seguenti prima di utilizzare Spiroscape.

Spiroscape è progettato esclusivamente per l'uso come dispositivo di fuga in situazioni di emergenza. Non deve essere utilizzato per entrare in ambienti tossici.

Spiroscape non è progettato per operazioni di soccorso o antincendio.

Spiroscape non deve essere utilizzato sott'acqua.

Spiroscape può essere utilizzato esclusivamente da adulti in buona salute fisica e mentale.

Spiroscape non è progettato per l'uso in atmosfera esplosiva.

Chiunque utilizzi Spiroscape deve essere stato formato in modo adeguato al relativo uso e aver letto e compreso il presente manuale dell'utente.

Accertarsi sempre che il tempo di evacuazione sia inferiore all'autonomia di Spiroscape.

In caso di rottura del sigillo antimanomissione, il dispositivo deve essere controllato, ricaricato con aria respirabile conforme ai requisiti specificati al capitolo 2 e munito di un nuovo sigillo antimanomissione. Se il flusso d'aria non si avvia quando viene rimosso l'anello di avvio rapido, aprire manualmente la valvola della bombola per avviare il flusso d'aria. Lasciare immediatamente l'area in cui l'aria non è respirabile.

La manutenzione completa di Spiroscape può essere effettuata esclusivamente dai titolari di una Certificazione di Assistenza Interspiro valida.

Il presente documento può essere soggetto a modifiche, per errori tipografici, imprecisioni o migliorie alle informazioni disponibili e modifiche al dispositivo, in qualsiasi momento e senza obbligo di preavviso.

Consultare sempre il sito [www.interspiro.com](http://www.interspiro.com) per aggiornamenti sui prodotti, aggiornamenti ai documenti e bollettini di assistenza.

Le garanzie specificate nelle condizioni di vendita non vengono estese da questa Informativa sulla sicurezza.

## 2 DESCRIZIONE TECNICA

Questo prodotto, che fornisce aria respirabile all'utente, è stato testato in conformità alle normative EN 1146, ISO 23269-1 e 42 CFR (NIOSH) e deve essere utilizzato nel rispetto delle normative locali.

Produttore:

Interspiro AB

Box 2853, 18728 Täby, Svezia.

La dichiarazione di conformità si trova qui: [interspiro.com/en-gb/service-support/downloads/certificates-approvals](https://interspiro.com/en-gb/service-support/downloads/certificates-approvals)

Spiroscape fornisce un flusso costante di aria respirabile per 15 minuti.

Quando l'aria cessa di fluire, si apre automaticamente una valvola e l'utente può respirare l'aria circostante senza togliere il cappuccio. Questa soluzione previene il rischio di asfissia in caso di perdita di coscienza dell'utente quando si esaurisce l'apporto d'aria. Interrompendo manualmente il flusso d'aria, l'utente può indossare il cappuccio durante un'esercitazione oppure nelle situazioni di attesa.

L'aria nella bombola deve essere conforme ai requisiti previsti dalla norma EN 12021, cioè essere priva di olio e sostanze tossiche e avere un'umidità ridotta.

### 2.1 LIMITAZIONI AI SENSI DELLE NORMATIVE NIOSH (APPLICABILI SOLO NEGLI USA)

Approvato unicamente quando la bombola dell'aria compressa è completamente carica di aria conforme ai requisiti delle specifiche G-7-1 della Compressed Gas Association per aria di Tipo 1 grado D o qualità superiore, oltre a soddisfare un livello di punto di rugiada di  $-65^{\circ}\text{F}$  ( $-54^{\circ}\text{C}$ ) o inferiore (24 pzv / v o meno) e un livello di particolato inferiore a 5 mg/m<sup>3</sup>.

### 2.2 ADATTATORE DI RIEMPIMENTO AUTOMATICO

L'adattatore di riempimento automatico Interspiro, vedere [figura 1], offre una soluzione facile e veloce per ricaricare la bombola. Non richiede alcun attrezzo.

L'adattatore impedisce che la bombola da 200 bar sia ricaricata a 300 bar.

Per le istruzioni per l'uso dell'adattatore di riempimento automatico, vedere il capitolo 5.

## 3 INDOSSAMENTO E USO

**Controllare prima dell'uso:** Verificare che la bombola sia completamente carica e che il sigillo antimanomissione sia integro. Verificare che non siano visibili danni.

1. Prendere Spiroscape dal luogo di conservazione.
2. Posizionare il laccetto per il collo sopra la testa, come illustrato in [figura 2].
3. Utilizzando la mano destra, tirare distintamente la cinghia ad anello collegata all'anello di avvio rapido [rif. d, figura 5] verso l'alto; vedere [figura 2]. Tirando la cinghia, accade quanto segue:
  - 1 Il sigillo antimanomissione [rif. a, figura 5] si rompe.
  - 1 L'anello di avvio rapido [rif. c, figura 5] viene estratto dalla valvola della bombola e l'aria inizia a fluire.
  - 1 La cerniera si apre (accertarsi che si apra a fondo).

---

**NOTA:** IL TEMPO DI AUTONOMIA DEL DISPOSITIVO INIZIA ORA.

---

4. Introdurre entrambe le mani nell'apertura della guarnizione per il collo e tirare il cappuccio sopra la testa; vedere [figura 3]. Regolare il cappuccio in modo che sia comodo e offra una buona visibilità. Continua a respirare normalmente.

---

**NOTA:** LE PERSONE CHE INDOSSANO GLI OCCHIALI DOVREBBERO TIRARE IL CAPPUCCIO IN AVANTI SOPRA LA TESTA, INIZIANDO DALLA PARTE POSTERIORE DEL COLLO. TENDERE QUINDI LA GUARNIZIONE PER LIBERARE GLI OCCHIALI. È NORMALE CHE LA CAPPA SI CONTRAGGA E SI GONFI A RITMO CON LA RESPIRAZIONE DELL'UTILIZZATORE.

---

5. All'occorrenza, regolare la lunghezza del laccetto per il collo.
6. Iniziare l'evacuazione e lasciare immediatamente l'ambiente tossico. Vedere [figura 4].

## 4 DOPO L'USO

1. Verificare che il cappuccio e il tubo non siano danneggiati. Qualora siano danneggiati, inviare il cappuccio e il tubo al servizio di assistenza per le riparazioni necessarie o sostituire i particolari danneggiati.
2. Pulire internamente la visiera ed esternamente il cappuccio esterno con un panno morbido e un disinfettante neutro. Asciugare quindi i particolari con un panno morbido.

## 5 RICARICA DELLA BOMBOLA CON ARIA

1. Collegare l'adattatore di riempimento automatico, vedere [figura 1], all'alimentazione dell'aria oppure al compressore per mezzo del tubo di ricarica.



---

**NOTA:** L'ADATTATORE DI RIEMPIMENTO DEVE ESSERE RIFORNITO ALLA PRESSIONE DI CARICA COMPLETA PRIMA DI COLLEGARE SPIROSCAPE.

---

2. Rompere il sigillo antimanomissione [rif. a, figura 5].
3. Aprire la chiusura in Velcro della borsa.
4. Aprire la cerniera della borsa.
5. Scoprire completamente la manopola della valvola della bombola.
6. Scollegare il tubo dell'aria dalla valvola della bombola rimuovendo il perno [rif. b, figura 5]. Per evitare di perdere il perno, rimontarlo sul tubo dell'aria.
7. Collegare manualmente l'adattatore di riempimento automatico con cura. Ruotarlo in senso orario finché non è percepibile il flusso d'aria, quindi di un altro quarto di giro.
8. Ricaricare la bombola finché l'indicatore non mostra che è completamente piena. Attendere che la bombola si raffreddi, quindi "rabboccarla" finché l'indicatore non mostra nuovamente che è piena.

---

**NOTA:** IN CASO DI ATTIVAZIONE DELL'ALIMENTAZIONE DELL'ARIA DURANTE LA RICARICA, RUOTARE LA MANOPOLA DELLA VALVOLA DELLA BOMBOLA IN SENSO ANTIORARIO FINCHÉ L'ARIA NON SMETTE DI FLUIRE.

---

9. Svitare l'adattatore di riempimento automatico.
10. Ricollegare il tubo dell'aria alla valvola della bombola con il perno [rif. b, figura 5].

---

**NOTA:** ACCERTARSI CHE L'ANELLO DI AVVIO RAPIDO [RIF. D, FIGURA 5] NON SI TROVI SOTTO IL TUBO QUANDO SI RICOLLEGA IL TUBO.

---

## 11. Imballare Spiroscape seguendo le istruzioni nel capitolo 6.

---

**NOTA:** IN CASO DI CONSERVAZIONE DI SPIROSCAPE SENZA ARIA, DURANTE IL RIEMPIMENTO POTREBBE VERIFICARSI UNA PERDITA. IN TAL CASO, PROCEDERE COME SEGUE:

1. RICARICARE COMPLETAMENTE LA BOMBOLA (200 O 300 BAR O 3000 PSI).
  2. SCOLLEGARE L'ADATTATORE DI RIEMPIMENTO.
  3. RUOTARE IL VOLANTINO IN SENSO ORARIO FINCHÉ NON SCATTA TRE VOLTE.
- 

## 6 IMBALLAGGIO

1. Riporre la bombola nella borsa e stringere saldamente la cinghia per la bombola [rif. e, figura 5].
2. Collegare il tubo dell'aria al regolatore e fissarlo con il perno [rif. b, figura 5].
3. Posizionare la cinghia ad anello con l'anello di avvio rapido [rif. d, figura 5] all'esterno della borsa.
4. Applicare una quantità moderata di talco in polvere 460 190 130 (o altra polvere a base di talco) sulla guarnizione per il collo.
5. Tirare la cerniera chiudendola circa a un terzo.
6. Ripiegare il cappuccio come illustrato in [figura 6] e riporlo nella borsa; vedere [figura 5].

---

**NOTA:** ACCERTARSI CHE IL TUBO SIA POSIZIONATO SOPRA LA BOMBOLA E NON RESTI SCHIACCIATO TRA LA BOMBOLA E LA BORSA.

---

7. Posizionare la cinghia con l'anello di avvio rapido [rif. d, figura 5] sopra il cappuccio, lasciando la cinghia ad anello all'esterno della borsa.
8. Montare l'anello di avvio rapido [rif. c, figura 5] sulla valvola della bombola. Ruotare a fondo la manopola della valvola in senso antiorario. Verificare che la manopola si trovi contro l'anello di avvio rapido.
9. Chiudere la cerniera.

---

**NOTA:** IL CURSORE DELLA CERNIERA DEVE ARRIVARE IN FONDO. IN QUESTO MODO LA CERNIERA PUÒ ESSERE APERTA SENZA UTILIZZARE IL CURSORE, TIRANDO LA CINGHIA AD ANELLO [RIF. D, FIGURA 5].

---

10. Accertarsi che il manometro sia leggibile attraverso la finestrella sulla borsa (il cappuccio non dovrebbe essere visibile).
11. Posizionare la cinghia ad anello come illustrato [rif. d, figura 7]. Tirare il sigillo antimanomissione [rif. a, figura 7] attraverso il foro piccolo nella borsa e l'anello piccolo [rif. f, figura 7]. Fissare il sigillo antimanomissione come illustrato in [figura 8].

## 7 CONTROLLI E MANUTENZIONE

### 7.1 OGNI MESE

Verificare che la bombola sia completamente carica e il sigillo antimanomissione sia integro.

## 7.2 OGNI ANNO

### Controllo visivo

Verificare che non siano presenti danni meccanici o chimici ai seguenti particolari:

- Borsa, cinghie e anello di avvio rapido.
- Tubo dell'aria, attacchi rapidi e O-ring. I tubi che hanno perso la propria elasticità devono essere sostituiti.
- Cappuccio esterno ed interno, guarnizione per il collo e maschera interna, compresi i due anelli a scatto che fissano la maschera interna e la valvola.
- Applicare una quantità moderata di talco in polvere 460 190 130 (o altra polvere a base di talco) sulla guarnizione per il collo almeno una volta all'anno oppure quando necessario.
- Valvola della bombola, regolatore e manometro.
- Verificare che la bombola sia stata revisionata in conformità alle normative nazionali.
- Controllare la data di produzione dei tubi. I vecchi tubi di plastica senza data devono essere sostituiti. I tubi più recenti con data di produzione devono essere sostituiti dopo 15 anni. La marcatura è effettuata secondo IS YYYY, IS=interspiro, YY=Anno, XX=numero di lotto.

### Controllo funzionale

Oltre al controllo visivo sopra descritto, Spiroscape deve essere testato per verificare che funzioni correttamente. A tal scopo, avviare Spiroscape esattamente allo stesso modo del normale utilizzo e verificare che il tempo di autonomia sia almeno di 15 minuti e al massimo di 20 minuti. Durante il test, l'indicatore del manometro deve passare da pieno a vuoto.

Al termine del controllo e del test, ricaricare la bombola come descritto nel capitolo 5 e montare il sigillo antimanomissione come descritto nel capitolo 6.



**NOTA:** IN CASO DI SEGNI DI DANNI O SE IL DISPOSITIVO NON FUNZIONA CORRETTAMENTE, INVIARE IL DISPOSITIVO AL SERVIZIO DI ASSISTENZA PER LE RIPARAZIONI NECESSARIE O SOSTITUIRE I PARTICOLARI NECESSARI.

---

Mantenere un registro dei controlli e dei test di Spiroscape. Annotare la data e il numero di serie stampati sulla valvola della bombola.

## 8 MAGAZZINAGGIO

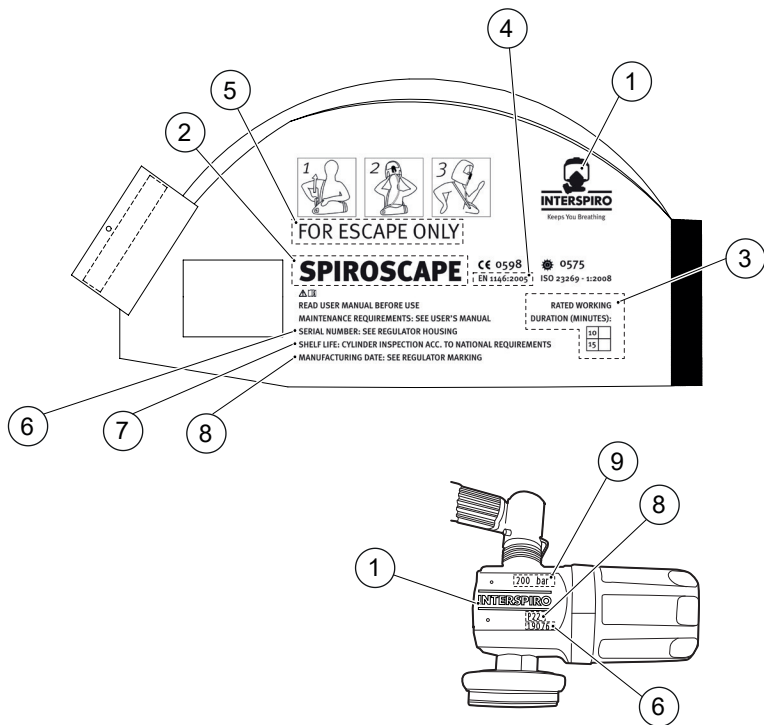
Conservare in un ambiente fresco, asciutto e privo di polvere. Proteggere dalla luce solare diretta, dai raggi UV e dal calore diretto.

Durante il trasporto il prodotto deve essere ben protetto all'interno dell'imballo originale o equivalente.

### Data di scadenza

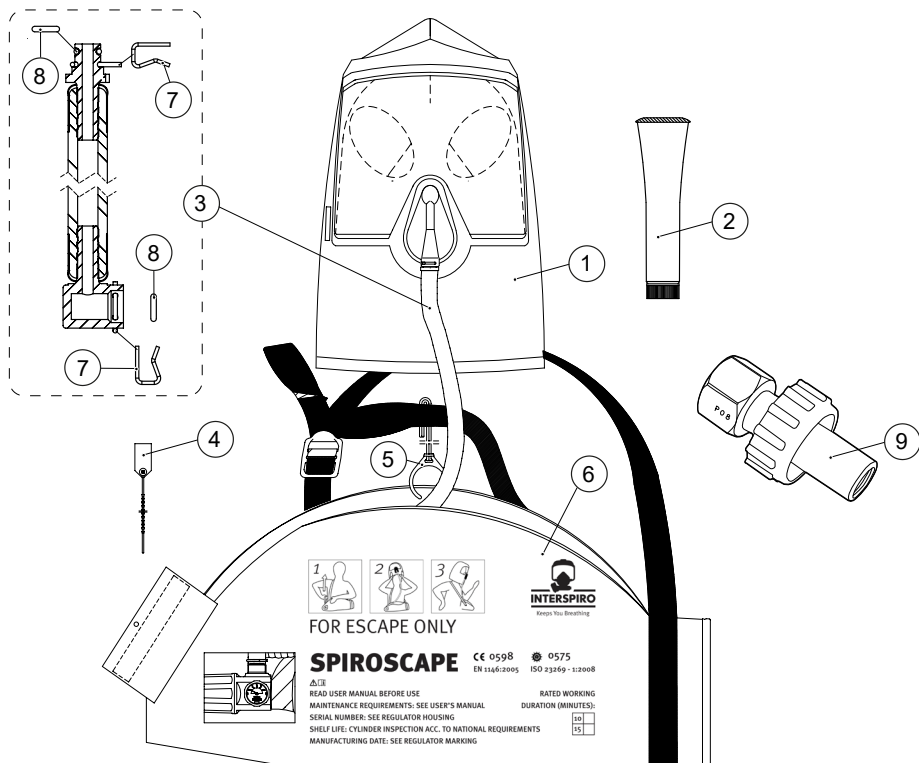
Se immagazzinato per più di un anno, lo Spiroscape deve essere sottoposto a un controllo annuale prima di poter essere rimesso in uso.

## 9 MARCATURE PRODOTTO



#	DESCRIZIONE
1	Produttore
2	Designazione del modello
3	Tempo di durata nominale
4	Normativa e revisione del prodotto
5	Campo di applicazione
6	Marcatura del numero di serie
7	Informazioni sulla durata di conservazione
8	Anno di produzione
9	Pressione di riempimento della bombola

## 10 RICAMBI



#	N. d'ordine	DESCRIZIONE	NOTA
1	460 190 121	Capuccio senza tubo	
2	460 190 130	Polvere di talco	
3	460 190 124	Tubo, completo di perni e O-ring	
4	460 190 123	Sigillo antimanomissione	5 x 95378
5	460 190 127	Anello di avvio rapido	10 x 95324
6	460 190 122	Borsa (standard)	
7	460 190 126	Perno	10 x 95531-01
8	460 190 125	O-ring	10 x 95534
9	95 360-02	Adattatore di riempimento automatico	
9	95 360-04	Adattatore di riempimento automatico con attacco CGA (normativa USA)	

## 11 DISPOSIZIONE

Il prodotto deve essere smaltito in modo ecologicamente responsabile e conforme alle leggi e ai regolamenti applicabili.

