

# Divator RS4 and RS4 P+ regulator

Spare parts list

**© 2024 Interspiro AB, Sweden.** This publication contains or refers to proprietary information which is protected by copyright. All rights are reserved. Interspiro®, are registered trademarks belonging to Interspiro.

This publication may not be copied, photocopied, reproduced, translated, or converted to any electronic or machine-readable form in whole or in part without prior written approval from Interspiro.

# READ BEFORE USE

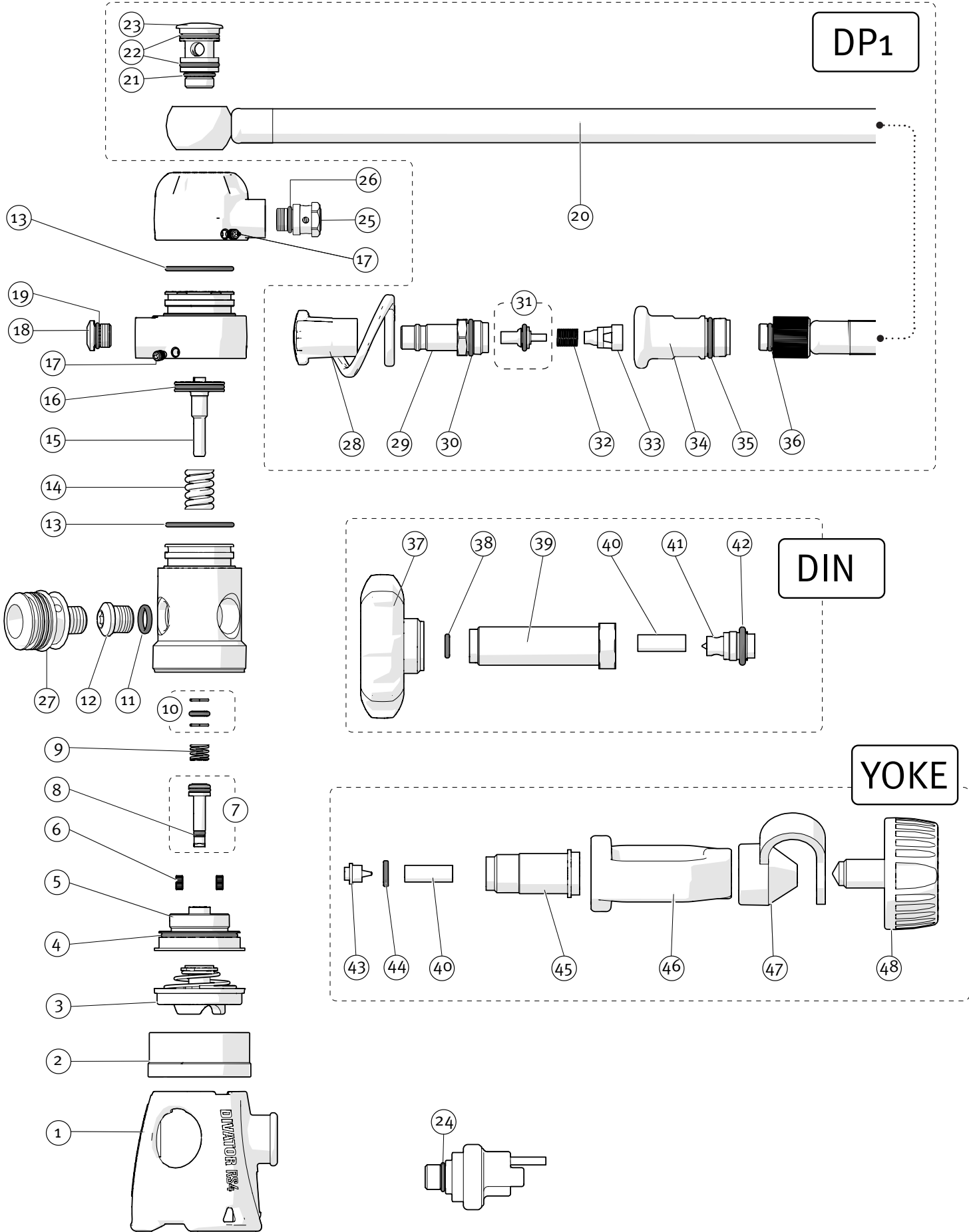
- 1.** Only holders of a valid **INTERSPIRO Service Certificate** may carry out service and repairs on **INTERSPIRO** breathing equipment. Unauthorized service may result in malfunction and users relying thereon could sustain severe respiratory injury or death.
- 2.** When using the spare part list always refer to the equipment's **SERVICE MANUAL** in regard to procedure and handling of the spare parts assembly and function.
- 3.** Changes to this document – necessitated by typographical errors, inaccuracies of current information or improvements and changes of equipment – may be done at any time and without prior notice.
- 4.** The **NOTES** column is used for short descriptions of the spare part, for example dimensions or number of included sub components. For example "10 x 336 100 437" indicates that this is a multi-pack that consists of 10 pieces of the single component 336 100 437.
- 5.** The service kits contain replacement items used for preventive maintenance.
- 6.** Always refer to **[www.interspiro.com](http://www.interspiro.com)** for product or document updates and for service bulletins.



# CONTENTS

RS4 REGULATOR .....	6
RS4 P+ REGULATOR .....	8
HOSES AND PRESSURE GAUGE .....	10

RS4 regulator

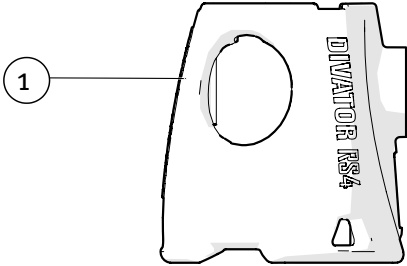
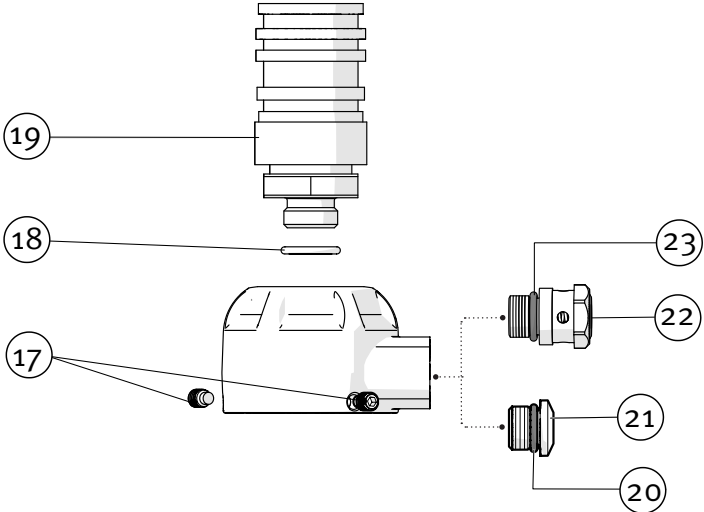
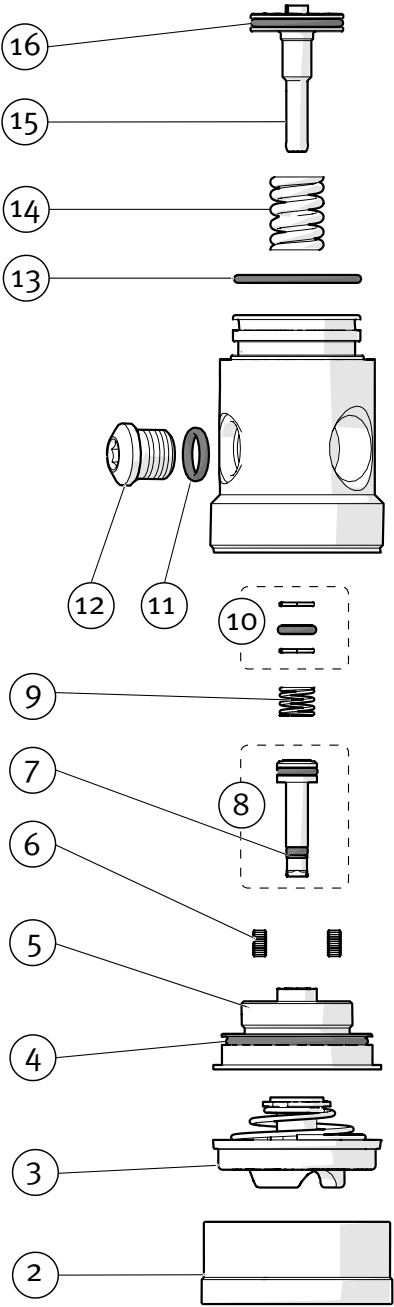


## Divator RS4 regulator

#	ORDER NO.	DESCRIPTION	NOTE
1	32904-01	Rubber casing	
2	88286-01	Diaphragm nut	
3	88180-01	Safety pressure unit	Incl #3
4	336190790	O-ring, EPDM, 29.1x1.6	10 x 336900268
5	88288-51	Spring housing	
6	99732-54	Stop screw	
7	97698-51	Valve seat assembly	1 x 88289-01, 1 x 346900015, 1 x 331900138
8	346190250	O-ring, EPDM, 2.6 x 1.3	10 x 346900015
9	346190028	Spring	5 x 336100280
10	97698-52	Supporting washers and O-ring (EPDM 2.6x1.3)	2 x 336100131, 1 x 336900123
11	336190381	O-ring, EPDM, 8.73x1.78	10 x 336900106
12	97192-51	Blind plug	
13	336190229	O-ring, EPDM, 25.12x1.78	10 x 336900041
14	346190026	Regulating spring	5 x 346100005
15	460190386	Piston	
16	346190022	O-ring, NBR, 17.2x1.8	10 x 346900002
17	89129-51	Screw	
18	88299-01	Plug 3/8-24 UNF	
19	57543-51	O-ring, Nitrile, 7.6x1.6	
20	32912-01	DP1 connection hose	
21	460190091	O-ring, NBR, 10.1x1.6	10 x 944610208
22	346190021	O-ring, NBR, 13.1x1.6	10 x 346900001
23	32906-01	DP1 connection swivel lock	
24	336190238	O-ring, NBR, 9.1 x 1.6	10 x 944610207
25	88297-51	Relief valve	incl # 26
26	336190311	O-ring, NBR, 8.1x1.6	10 x 944610206
27	32903-01	Parking plug	
28	31391-51	Dust cover, small	10 x 31391-01
29	88148-51	DP1 connection	
30	346190069	O-ring, 12.1x1.6	10 x 944610210
31	460190369	Cone with O-ring	
32	336100162	Spring	
33	336100405	Valve cone	
34	88148-51	DP1 connection housing	
35	336190228	O-ring, Nitrile, 12.42x1.78	10 x 336900007
36	336190237	O-ring, NBR, 8.73x1.78	10 x 336900099
37	98520-51	Hand wheel	
38	336190232	O-ring, EPDM, 4.3 x 2.4	10 x 336900044
39	460190384	Connection nipple	
40	346190643	Inlet filter	10 x 212100014
41	460190382	Nipple	
42	336190272	O-ring, NBR, 11x2.5	10 x 331100767
43	336100653	Filter holder	
44	336890105	O-ring, EPDM, 6.3 x 2.4	10 x 336900183
45	32943-01	Connection nipple Yoke	
46	32944-01	Yoke	
47	32947-01	Dust cover Yoke	
48	32946-01	Hand wheel Yoke	

#	ORDER NO.	DESCRIPTION	NOTE
A	460190711	Service kit, cylinder connection, RS4 with DIN connection	1 x #40, 42
B	57507-52	Service kit, cylinder connection, RS4 with YOKE connection	1 x #40, 44
C	57507-61	Service kit, RS4 regulator with DIN connection	1 x # 3, 4, 7, 10, 16, 40, 42, 2 x #13, 6 x #17
D	57507-62	Service kit, RS4 regulator with YOKE connection	1 x # 3, 4, 7, 10, 16, 40, 44, 2 x #13, 6 x #17
E	51507-71	Service kit, DP1 connection	1 x #21, 30, 31, 35, 36, 2 x #22

RS4 P+ regulator



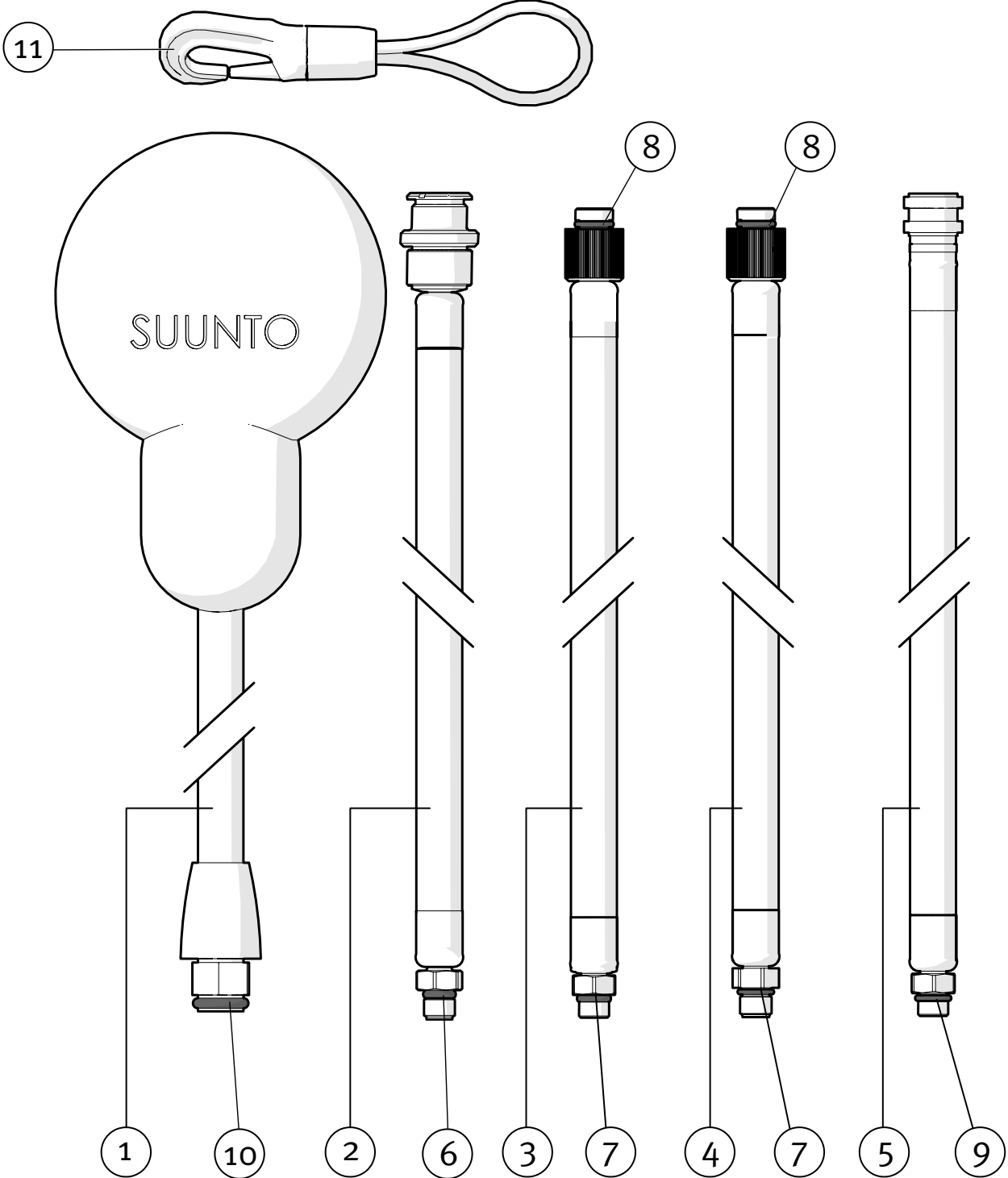


## Divator RS4 regulator

#	ORDER NO.	DESCRIPTION	NOTE
1	32904-52	Rubber casing	
2	88286-01	Diaphragm nut	
3	88180-01	Safety pressure unit	Incl #3
4	336190790	O-ring, EPDM, 29.1x1.6	10 x 336900268
5	88288-51	Spring housing	
6	99732-54	Stop screw	
7	346190250	O-ring, EPDM, 2.6 x 1.3	10 x 346900015
8	97698-51	Valve seat assembly	1 x 88289-01, 1 x 346900015, 1 x 331900138
9	346190028	Spring	5 x 336100280
10	97698-52	Supporting washers and O-ring (EPDM 2.6x1.3)	2 x 336100131, 1 x 336900123
11	336190381	O-ring, EPDM, 8.73x1.78	10 x 336900106
12	97192-51	Blind plug	
13	336190229	O-ring, EPDM, 25.12x1.78	10 x 336900041
14	88492-62	Regulating spring P+	5 x 88492-02
15	460190386	Piston	
16	346190022	O-ring, NBR, 17.2x1.8	10 x 346900002
17	89129-51	Screw	
18	460190091	O-ring, NBR 10.1 x 1.6	10 x 944610208
19	32759-51	DP1 quick coupling female	
20	57543-51	O-ring, Nitrile, 7.6x1.6	
21	97192-51	Blind plug	
22	88297-51	Relief valve	Incl #23
23	336190311	O-ring, NBR, 8.1x1.6	10 x 944610206

#	ORDER NO.	DESCRIPTION	NOTE
A	57507-63	Service kit, RS4 P+ regulator	3x #17 1x #3, 4, 8, 10, 13, 16, 18

# Hoses and pressure gauge



## Divator RS4 regulator

#	ORDER NO.	DESCRIPTION	NOTE
1a	32948-01	Pressure gauge including high pressure hose, BAR	
1b	32948-02	Pressure gauge including high pressure hose, PSI	
2	97474-62	Suit hose	
3	99007-51	Octopus hose 170 cm	
4	99618-51	Breathing hose 83 cm	
5	30411-51	BC inflation hose	
6	460190599	O-ring, Nitrile, 7.3x1.2	10 x 336900272
7	944610206	O-ring, NBR, 8.1x1.6	
8	336190237	O-ring, NBR, 8.73x1.78	10 x 336900099
9	460190529	O-ring, 7.6x1.8	10 x 336920009
10		O-ring,	
11	88139-51	Holder strap with hook	

