

QS-R and QSII-R

Spare parts list

31882G01
2020-10

Copyright © 2020 Interspiro

This publication contains or refers to proprietary information which is protected by copyright. All rights are reserved. Interspiro®, Divator® and Oxydive® are registered trademarks belonging to Interspiro. This publication may not be copied, photocopied, reproduced, translated, or converted to any electronic or machinereadable form in whole or in part, without prior written approval from Interspiro.

Table of Contents

Two year service kits	5
Ten year service kits	6
Ten year service kits	7
Hoses and couplings	8
Regulator	10
Warning unit	12
Tools	14



Two year service kits

A: Cylinder connection with hand wheel - 460190711

Part number	Pcs.	Description	Note
212100014	1	Inlet filter	Pos. 4 in Regulator unit
331100767	1	O-ring	Pos. 2 in Regulator unit

B: Cylinder connection with quick coupling - 460200045

Part number	Pcs.	Description	Note
212100014	1	Inlet filter	Pos. 4 in Regulator unit
336900182	1	O-ring	Pos. 10 in Regulator unit
336900183	1	O-ring	Pos. 13 in Regulator unit
OR22.0x1.0-Q60	1	O-ring	Pos. 11 in Regulator unit

Ten year service kits

C: Cylinder connection with hand wheel - 460200061

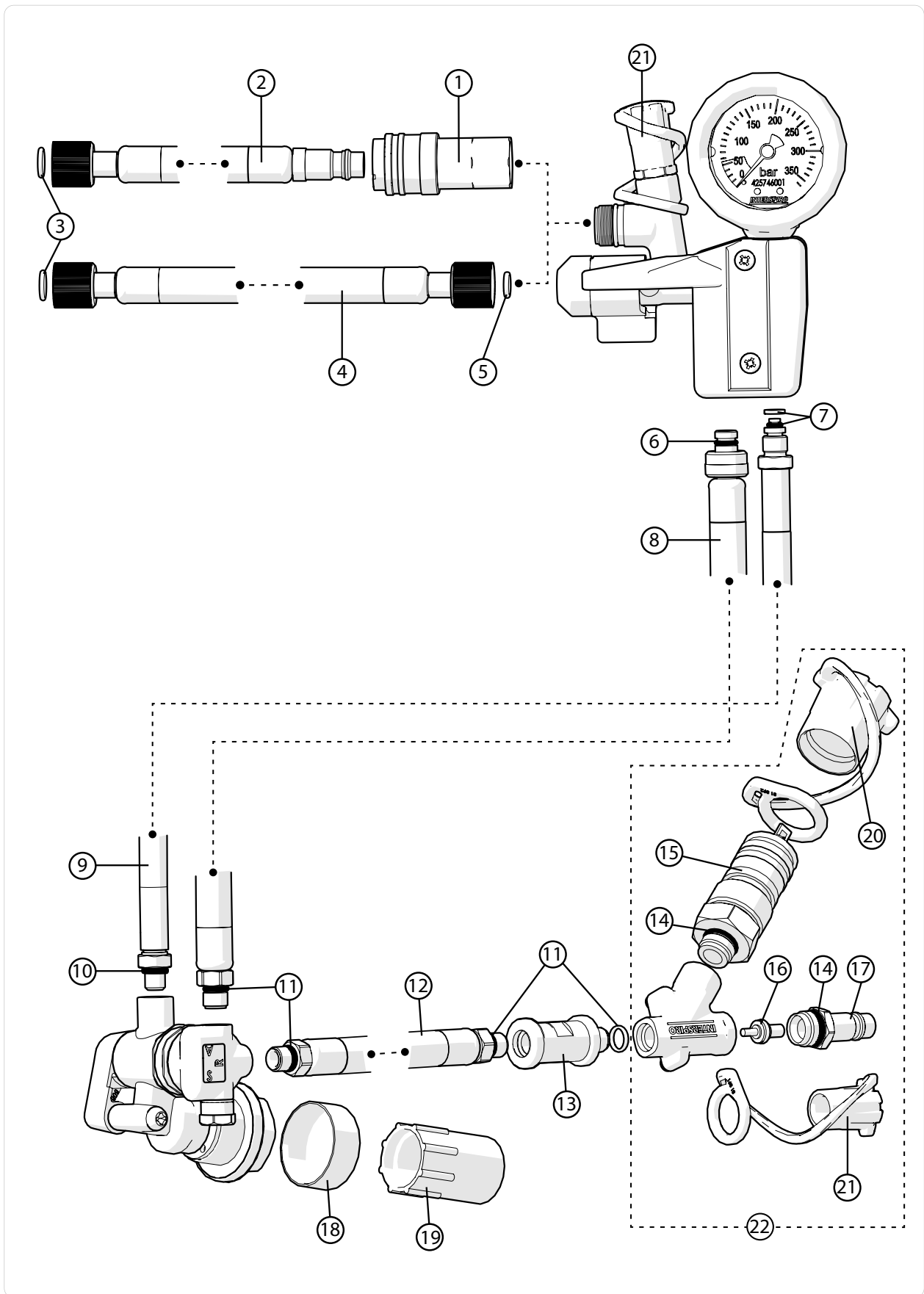
Part number	Pcs.	Description	Note
460190321 - Service kit, Manifold			
98568-01	1	Back-up ring	Pos. 7 in Hoses and couplings
OR3.68X1.78-AU90	1	O-ring	Pos. 7 in Hoses and couplings
331100767	1	O-ring	Pos. 2 in Regulator unit
212100014	1	Inlet filter	Pos. 4 in Regulator unit
460190322 - Service kit, Pressure regulator			
346100170	1	Sealing label	Pos. 16 in Regulator unit
346190023	1	Valve seat set	Pos. 18 in Regulator unit
346900002	1	O-ring	Pos. 21 in Regulator unit
346900001	2	O-ring	Pos. 22 in Regulator unit
95471-01	2	Support ring	Pos. 22 in Regulator unit
346900004	1	O-ring	Pos. 24 in Regulator unit
944610206	3	O-ring	Pos. 28 in Regulator unit
346100066	1	Protective band	Pos. 29 in Regulator unit
346100158	1	Spring clip	Pos. 32 in Regulator unit
346100159	1	Cover	Shall not be used. Throw away.
95472	1	Cover band	Pos. 23 in Regulator unit
336900099	1	O-ring	Pos. 3 in Hoses and couplings
460190319 - Service kit, Resistance warning			
944610210	1	O-ring	Pos. 5 in Warning unit
460190369	1	Cone with O-ring	Pos. 6 in Warning unit
336900007	1	O-ring	Pos. 7 in Warning unit
331100562	1	O-ring	Pos. 9 in Warning unit
944610209	1	O-ring	Pos. 14 in Warning unit
336900104	1	Pin	Pos. 17 in Warning unit
336900106	1	O-ring	Pos. 20 in Warning unit
336900103	1	O-ring	Pos. 23 in Warning unit
336100412	1	Valve disc	Pos. 25 in Warning unit
944610205	1	O-ring	Pos. 5 in Hoses and couplings
336190595	1	O-ring	Pos. 24 in Warning unit
460200153 - Service kit, Extra air			
460190369	1	Cone with O-ring	Pos. 16 in Hoses and couplings
944610210	1	O-ring	Pos. 14 in Hoses and couplings

Ten year service kits

D: Cylinder connection with quick coupling - 460200063

Part number	Pcs.	Description	Note
460200046 - Service kit, Manifold unit			
212100014	1	Inlet filter	Pos. 4 in Regulator unit
336900182	1	O-ring	Pos. 10 in Regulator unit
336900183	1	O-ring	Pos. 13 in Regulator unit
OR22.0x1.0-Q60	1	O-ring	Pos. 11 in Regulator unit
98568-01	1	Back-up ring	Pos. 7 in Hoses and couplings
OR3.68x1.78-AU90	1	O-ring	Pos. 7 in Hoses and couplings
460190322 - Service kit, Pressure regulator			
346100170	1	Sealing label	Pos. 16 in Regulator unit
346190023	1	Valve seat set	Pos. 18 in Regulator unit
346900002	1	O-ring	Pos. 21 in Regulator unit
346900001	2	O-ring	Pos. 22 in Regulator unit
95471-01	2	Support ring	Pos. 22 in Regulator unit
346900004	1	O-ring	Pos. 24 in Regulator unit
944610206	3	O-ring	Pos. 28 in Regulator unit
346100066	1	Protective band	Pos. 29 in Regulator unit
346100158	1	Spring clip	Pos. 32 in Regulator unit
3461000159	1	Cover	Shall not be used. Throw away.
95472	1	Cover band	Pos. 23 in Regulator unit
336900099	1	O-ring	Pos. 3 in Hoses and couplings
460190319 - Service kit, Resistance warning			
944610210	1	O-ring	Pos. 5 in Warning unit
460190369	1	Cone with O-ring	Pos. 6 in Warning unit
336900007	1	O-ring	Pos. 7 in Warning unit
331100562	1	O-ring	Pos. 9 in Warning unit
944610209	1	O-ring	Pos. 14 in Warning unit
336900104	1	Pin	Pos. 17 in Warning unit
336900106	1	O-ring	Pos. 20 in Warning unit
336900103	1	O-ring	Pos. 23 in Warning unit
336100412	1	Valve disc	Pos. 25 in Warning unit
944610204	1	O-ring	Pos. 6 in Hoses and couplings
944610205	1	O-ring	Pos. 5 in Hoses and couplings
336190595	1	O-ring	Pos. 24 in Warning unit
460200153 - Service kit, Extra air, Male			
460190369	1	Cone with O-ring	Pos. 16 in Hoses and couplings
944610210	1	O-ring	Pos. 14 in Hoses and couplings

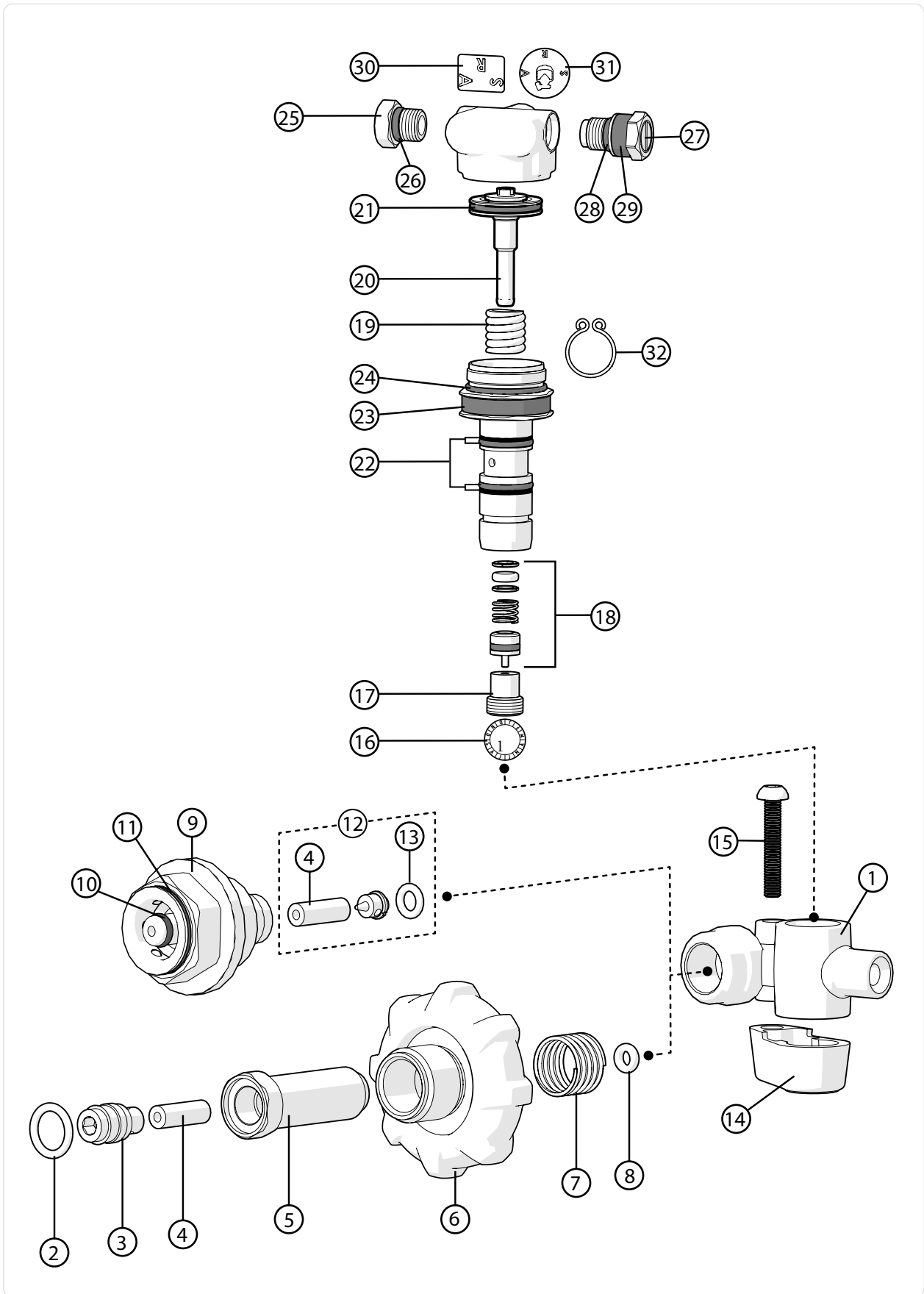
Hoses and couplings



QS-R and QSII-R

Pos.	Part number	Description
1	460190366	Quick coupling, female
2	99835-01	Breathing hose, Male
3	336190237	O-ring, 10 x 336900099
4	336190287	Breathing hose
5	336190236	O-ring, 10 x 944610205
6	336190221	O-ring, 10 x 944610204
7	460190192	Back-up ring, 5 x 98568-01 O-ring, 5 x OR3,68x1,78-AU90
8	96403-52	Middle pressure hose, 900 mm, incl. #6, #11
	96403-53	Middle pressure hose, 950 mm, incl. #6, #11
9	96529-51	High pressure hose, 920 mm, incl. #7, #10
	96529-52	High pressure hose, 960 mm, incl. #7, #10
10	336190312	O-ring, 10 x 336900105
11	336190311	O-ring, 10 x 944610206
12	460190041	Medium pressure hose / rescue hose
13	99368-51	Adapter
14	346190069	O-ring, 10 x 944610210
15	95803-51	Quick coupling, Interspiro, Female, incl. # 14
16	460190369	Cone with O-ring
17	96531-51	Quick coupling, Interspiro, male
18	98598-51	Protection cap, Cylinder quick coupling, 10 pcs
19	460190557	Protection cap, Handwheel, 10 pcs
20	31392-51	Protective cover, large, 10 pcs
21	31391-51	Protective cover. small, 10 pcs
22	95240-52	Y-piece, Interspiro, male/female

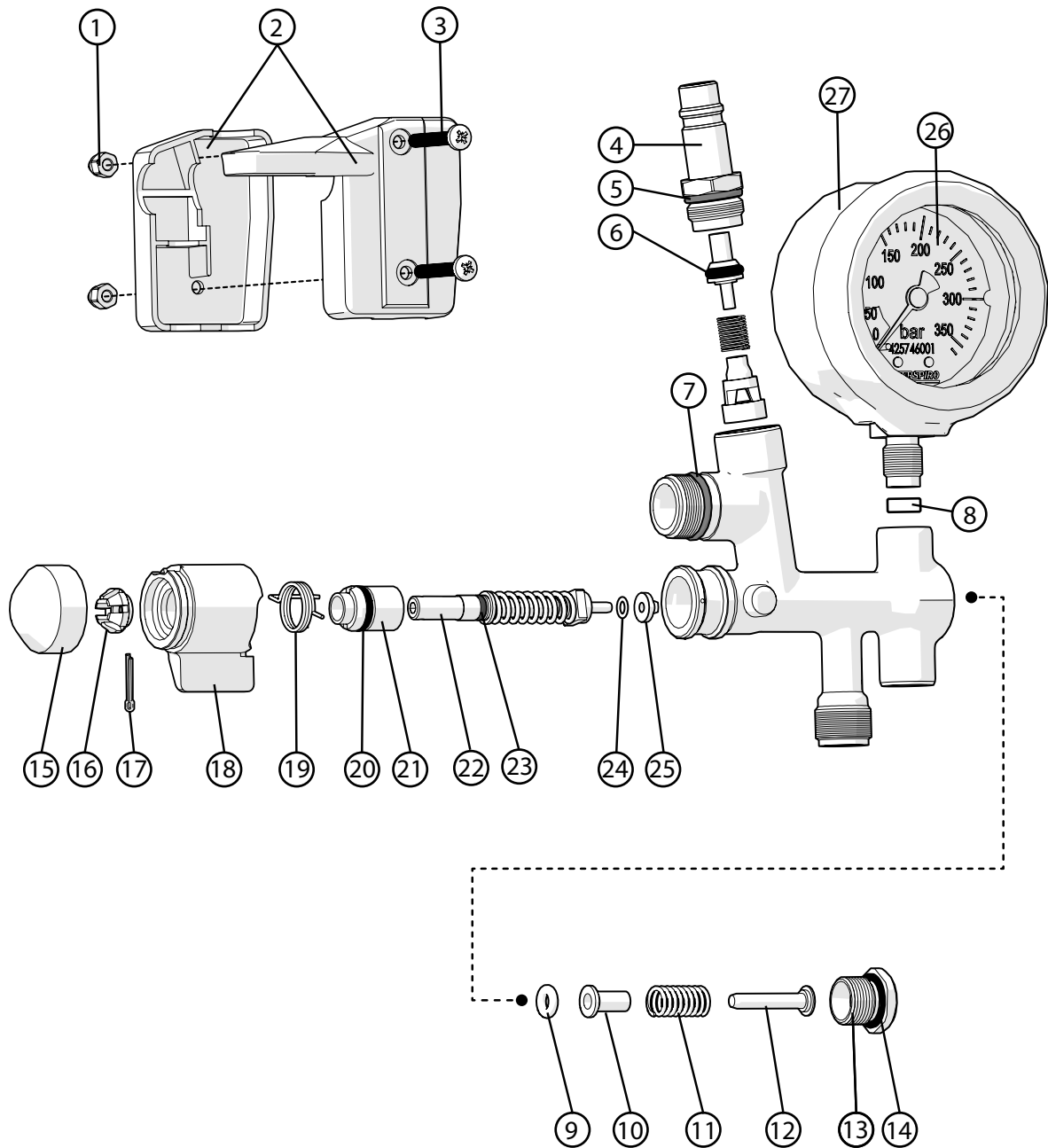
Regulator



QS-R and QSII-R

Pos.	Part number	Description
1	346190291	Regulator manifold for hand wheel connection, complete, including #1-8
2	336190272	O-ring, 10 x 331100767
	460190237	O-ring, 100 x 331100767
3	460190382	Nipple
4	346190643	Inlet filter, 10 x 212100014
	346190644	Inlet filter, 100 x 212100014
5	460190383	Connection nipple
6	30129-51	Hand wheel
7	30130-51	Spring, 5 x 30130-01
8	336190232	O-ring, 10 x 336900044
9	30569-51	Regulator part, cylinder quick coupling, including #4, #10-13
10	336190437	O-ring, 10 x 336900182
11	460200114	O-ring, 10 x OR22.0x1.0-Q60
12	460190059	Filter holder, including #4, #13, 10 pcs of each
13	336890105	O-ring, 10 x 336900183
14	95909-51	Protective cover
15	96012-51	Screw, 10 x 96012-01
16	346190295	Sealing label, 25 x 346100170
17	460190388	Adjusting screw, 5 x 346100009
18	346190023	Valve seat kit
19	346190026	Spring, 5 x 346100005
20	460190386	Piston
21	346190022	O-ring x 346900002
22a	460190198	O-ring , 10 x 346900001 Support ring, 10 x 95471-01
22b	460190199	O-ring, 50 x 346900001 Support ring, 50 x 95471-01
23	460190201	Protective band, 5 x 95472
24	346190024	O-ring, 10 x 346900004
25	460190867	Plug with O-ring, including #26
26	460190419	O-ring, 10 x 944610303
27	460190387	Relief valve
28	336190311	O-ring, 10 x 944610206
29	346190053	Protective band, 10 x 346100066
30	32696-51	Label for new cover, 5 x 32696-01
31	30260-51	Label for old cover, 5 x 30260-01
32	346190293	Locking clip, 10 x 346100158

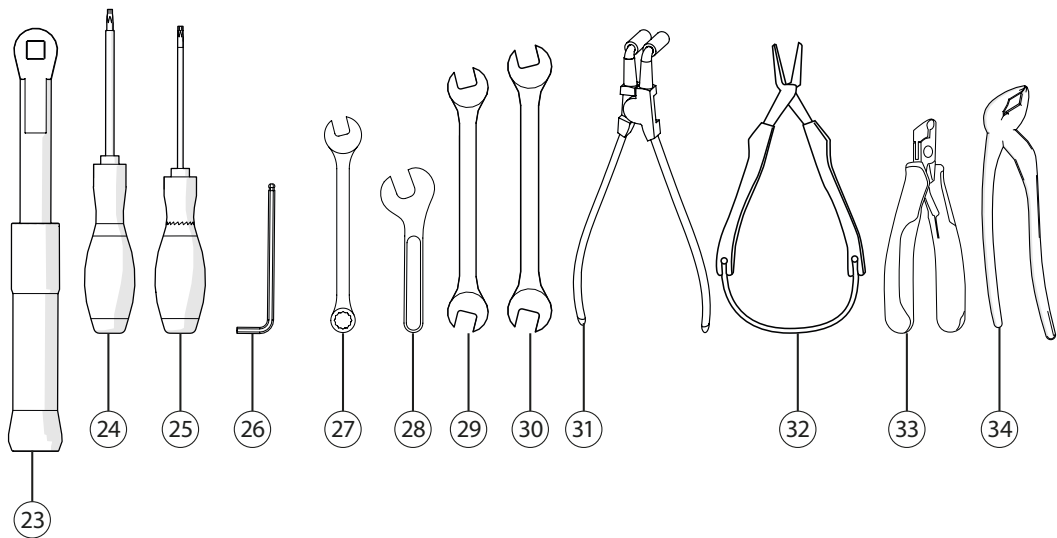
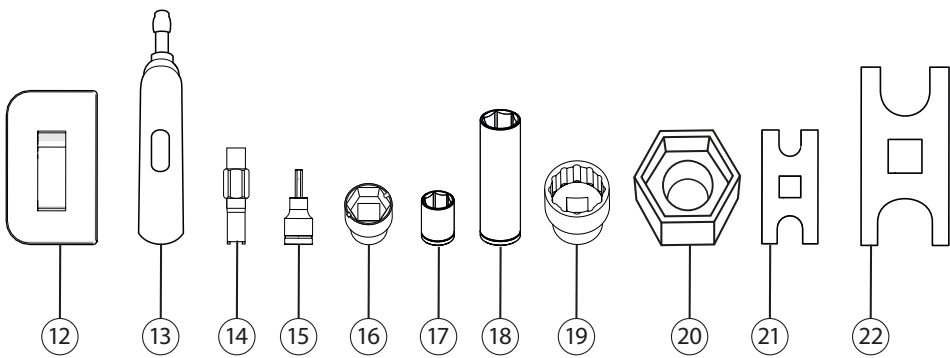
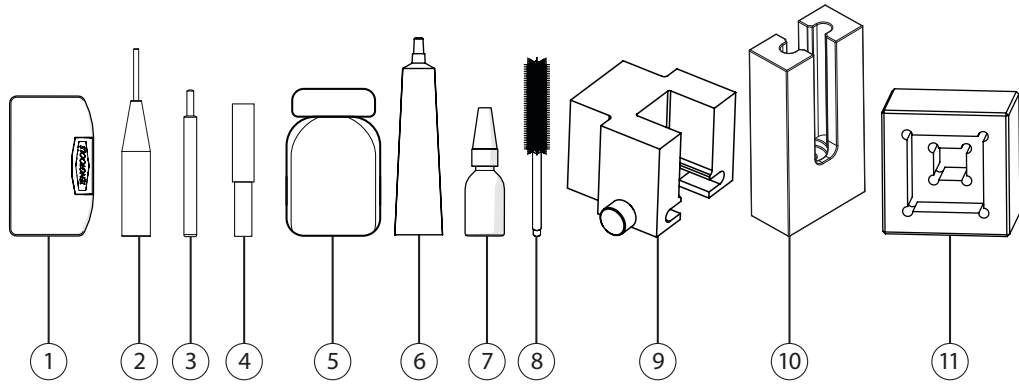
Warning unit



QS-R and QSII-R

Pos.	Part number	Description
1	460190639	Locking nut, 10 x 99795-02
2	460190640	Cover, front and back
3	336190247	Screw, 10 x 336900057
4	96531-51	Quick coupling, Interspiro, male
5	346190069	O-ring, 10 x 944610210
6	460190369	Cone with O-ring
7	336190228	O-ring, 10 x 336900007
8	336190159	Gasket set, 1 x 335100368, 1 x 335100369
9	336190240	O-ring, 5 x 331100562
10	460190439	Guide bushing, 5 x 336100402
11	460190437	Spring, 5 x 336100401
12	460190431	Piston, 5 x 336100400
13	460190442	Plug, 5 x 336100403
14	336190384	O-ring, 10 x 944610209
15	460190421	Cap, 10 x 336100604
16	460190441	Nut, 5 x 336100606
17	336190380	Pin, 10 x 336900104
18	460190433	Handle, 5 x 336100603
19	460190430	Torsion spring, 5 x 336100605
20	336190381	O-ring, 10 x 336900106
21	460190428	Nipple, 5 x 336100407
22	460190429	Valve stem assembly, including no. 23, 24 and 25
23	336190382	O-ring, 10 x 336900103
24	336190595	O-ring, 10 x 336900165
25	336190383	Valve disc, 5 x 336100412
26	460190381	Pressure gauge
27	30984-51	Pressure gauge cover

Tools



QS-R and QSII-R

Pos.	Part number	Description
1	30042-51	O-ring tool kit
2	95925-01	Assembly tool
3	460190565	Protective pin
4	460190566	Punch tool
5	331900269	Silicone lubricant
6	331900268	Lubricant for cylinder valve
7	460190846	Locking compound
8	460200030	Barrel brush
9	95927-01	Fixture for manifold
10	97951-51	Fixture for reserve air warning
11	32154-51	Tool for regulator cover
12	88749-51	Bit kit
13	88748-51	Torque screwdriver, 1-5 Nm
14	460190853	Adjusting key
15	460200520	Socket, hexagonal, 5 mm
16	460190567	Socket, slotted, 19 mm
17	32143-5113	Socket, 13 mm
18	460200029	Socket, long, 15 mm
19	31956-51	Socket, 29 mm
20	460190847	Fixture for plug-in regulator
21	460190852	Torque wrench adapter, 13-15 mm
22	99082-01	Torque wrench adapter, 24-30 mm
23	336190478	Torque wrench, 5-50 Nm
24	460200011	Screwdriver, Pz 2
25	460190767	Screwdriver, slotted, 5,5x125
26	460200008	Allen key, 5 mm
27	32140-5107	U-spanner, 7 mm
28	336100310	U-spanner, 8 mm
29	460190774	U-spanner, 10-13 mm
30	460190769	U-spanner, 14-15 mm
31	460200519	Circlip pliers
32	460190772	Long nosed pliers
33	88626-51	Cutting pliers
34	91042-51	Polygrip pliers

